

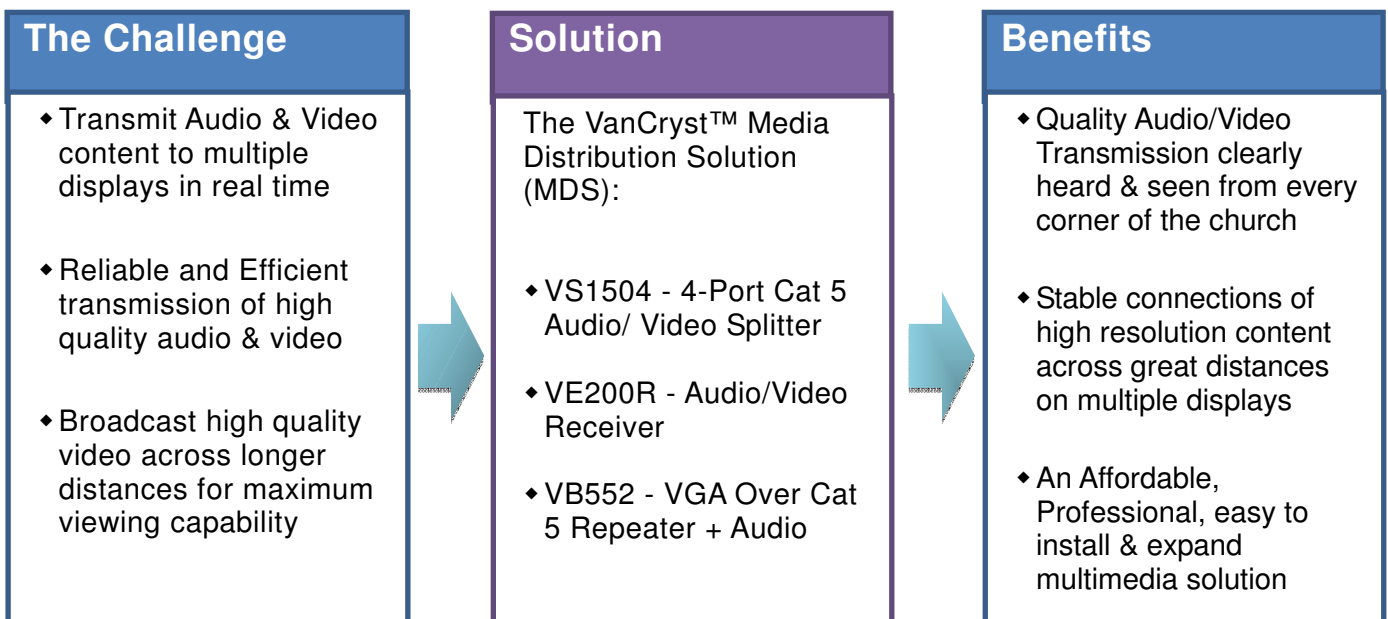
Poland's St. Francis of Assisi Church Installs ATEN Media Distribution Solution to Better Serve the Parishioners

High Quality Audio /Video Distribution to Multiple Displays in Real Time

Customer: St. Francis of Assisi Church



There are more than 17,500 Roman Catholic churches in Poland. Religious buildings are commonly perceived to be wholly traditional but in terms of technology some churches are now leading the masses in a new way. Like St. Francis of Assisi Church in Zabierzów is seeking to outfit the church with advanced equipment that not only makes it easier for priests to perform their duties, but also better serves their parishioners.



↓ The Challenge

Screens and projectors are commonly used as Audio/Video equipment in most Roman Catholic churches. The screens are used to present content such as songs and prayers to be read by worshipers. However, this A/V equipment is limited in several respects. One problem is that a projector only displays an image on a single screen. Another issue is that projectors are less reliable and require costly maintenance. As a result of this finding St. Francis Church in Zabierzów decided to install a more functional audio and video setup. Aiming to make the church service more effective, efficient, and reliable, they chose an affordable and easy to use solution that sends out high-quality audio and video content to multiple displays in real time.

↓ Solution



VS1504
4-Port Cat 5 Audio/ Video Splitter



VE200R
Audio/Video Receiver

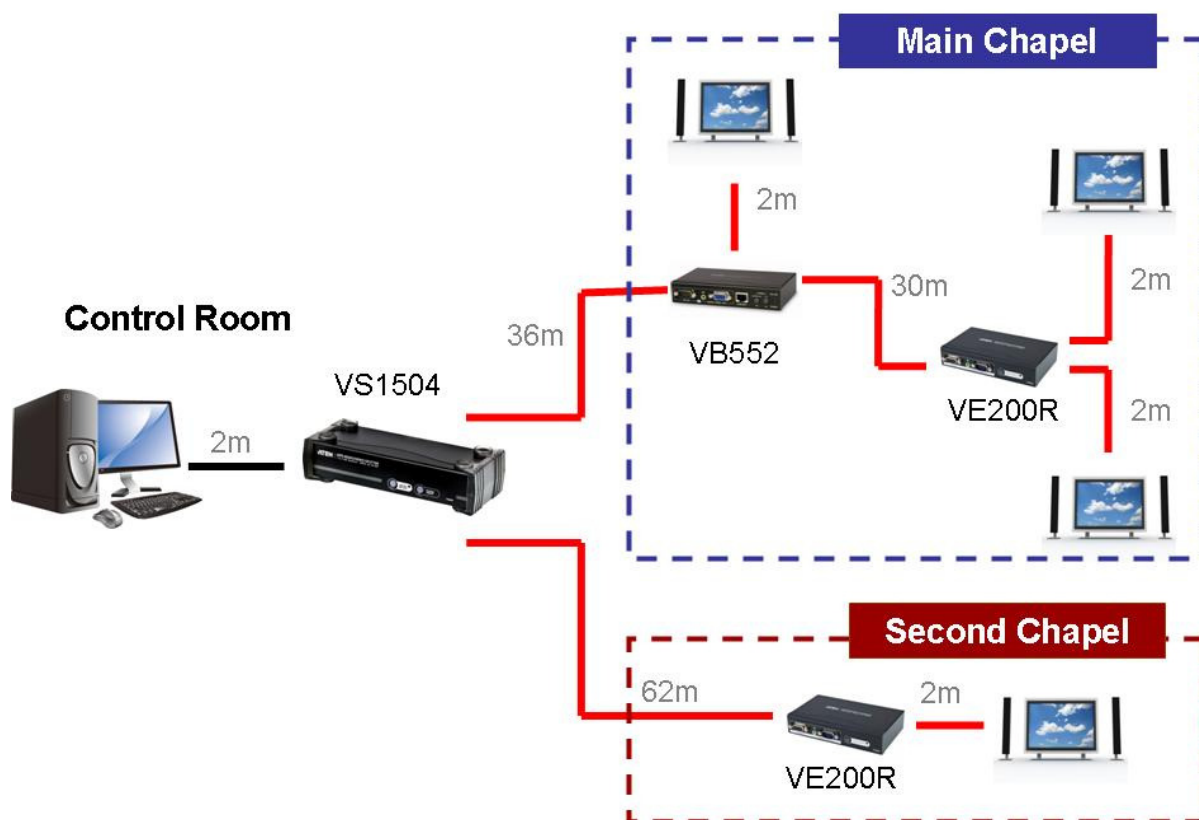


VB552
VGA Over Cat 5 Repeater + Audio

St. Francis Church in Zabierzów installed a multimedia system with four TVs, which are also used to play background sound. The audio and video signals come from a computer, which is used to play and display songs, presentations, movies, and photographs. At an early stage of designing the multimedia setup, the most critical assessment was to choose suitable and affordable equipment for the A/V transmission. This is the most important decision because it determines the entire system's success, resulting in the overall reliability, efficiency, and quality of the audio and video presented.

The church adopted the VanCryst™ Media Distribution Solution (MDS) from ATEN. The solution included; one VS1504 4-port A/V splitter, one VB522 VGA Over Cat 5 Repeater, and two VE200R Audio/Video Receivers. The VanCryst™ MDS is a cost-effective and efficient way to send high quality video content over long distances via Cat 5e network cable to multiple displays from a single source. By using Cat 5e network cable to connect an A/V splitter to the repeater/receiver(s), the four displays can be installed up to a hundred meters from a single input source.

📌 Solution Architecture: Four TVs – One Video Source



📌 Benefits

"I analyzed the market and went through product portfolios offered by many companies before I decided to choose the solution from ATEN. I have to admit that it was a very good choice. Their products are reliable, very well-made, and ensure great picture and sound quality", says Stanisław Korzonek, the IT specialist who installed ATEN products for St Francis Church.

ATEN's Media Distribution Solution has been working perfect since its installation- helping priests perform their duties proficiently and making it easy for parishioners to participate in mass. ATEN's products are extremely reliable, in that audio and video signals are delivered to TVs without any interference or distortion. Even in a difficult condition: with interference by an electromagnetic field created by power grid transformers, the sound and image quality transmitted flawlessly without interruption. *"This confirms the fact that ATEN supplies top-quality products that can be used in difficult conditions as well", adds Stanisław Korzonek.*



With high flexibility and scalability, the MDS allows TVs to be mounted in optimal locations, while the computer providing the multimedia content can be kept secure in a control room for easy service and maintenance. Now, the sound coming from the setup can be heard well from every corner of the church and the four TVs are in clear view for all parishioners to see. The MDS system solves the problem of low image quality, display interference, and a lack of access to displays. Another major advantage of the system based on ATEN's solution is easy expansion- allowing additional TVs to be

easily added. ATEN's MDS is cascable up to three levels, so additional TV sets can be easily added to the system according to the church's future expansion needs.