

CS52DP

2-Port USB-C DisplayPort Hybrid Cable KVM Switch



Claw Back Control to Tame Your Agentic Supervision

Performance and Air-Gapped Security in One Setup



CS52DP

2-Port USB-C DisplayPort Hybrid Cable KVM Switch

Stay ahead of the pack with a setup designed for the future of work. The **CS52DP – 2-Port Cable KVM Switch** – acts as a strategic claw, allowing you to seize control of a distributed desktop architecture with unwavering precision. This compact addition to your desktop integrates the mobility of USB-C and the reliability of DisplayPort into an all-in-one cable KVM design for the refined aesthetics of a de-cluttered workspace. Experience pristine 4K audiovisual clarity as you transition smoothly between professional routines and agentic workflows – ensuring your hybrid work

remains fluid, focused, and firmly within your grasp.



4K Visual Clarity



Audio Enabled



USB Peripheral Sharing



Bus Powered



Remote Port Switching



Exceptional AV Performance in Vivid 4K

The CS52DP empowers your desktop workflows with 4K DCI audiovisual enhancement by presenting visual content in outstanding precision.

Space-Cost Efficient Desktop Setup

The compact CS52DP enables plug-n-play USB-C connection to a mobile device such as a laptop without going through a docking station, which is a useful, budget-friendly option to expand desktop workspace in a neat and tidy way.



Smooth Cross-Platform Integration

The CS52DP enables the integration of different computer systems (Windows, Mac, Sun, Linux, Android and iOS) that are accessible over one KVM console.





Camera



Printer



Flash Drive



Flexible USB Peripheral Sharing

The console USB ports can be used for plug-n-play connection to compatible USB 2.0 peripheral devices to fulfill data-intensive desktop work requirements.

Applications

The CS52DP Cable KVM Switch is perfectly suited to time-critical and multitasking operations in the following scenarios.



Product Comparison

Feature	CS52DP	CS1953
KVM Type	Cable KVM Switch	Desktop KVM Switch
# of computers	2	3
Console interface	USB, DisplayPort	USB, DisplayPort
Computer interface	USB, DisplayPort, USB-C	USB, DisplayPort, USB-C
USB Peripheral	USB 2.0	USB 3.1 Gen 1
Video	4096 x 2160 @ 60 Hz	4096 x 2160 @ 60 Hz
Audio	Speaker, Microphone	Speaker, Microphone
Power Delivery	N/A	✓
Bus-powered	✓	✓
Port Selection	Remote Port Selector	Hotkey, Mouse, Pushbutton, Remote Port Selector
Multi-platform Support	Windows / Mac / Linux / Sun / Android / iOS	Windows / Mac / Linux / Sun / Android / iOS

Talk to Our Experts

If you prefer to have ATEN contact you, please complete the form and a representative will be in touch with you shortly

First Name *

Last Name *

- Country *

Company *

Email *

Phone Number *

- Customer Type *

Job Title *



Features

The CS52DP 2-Port USB-C DisplayPort Hybrid Cable KVM Switch is a control unit that allows access to a USB-C device and a DisplayPort computer. With the CS52DP, you can quickly and effortlessly switch between two computers by using a convenient remote port selector pushbutton.

The compact CS52DP also brings in vivid 4K viewing quality to lift up work performance. Further advanced features of the CS52DP include the bus-powered mode and no need to install software or configure device. This plug and play switch is ideal for people who need quick control to multitask between a computer and a USB-C device on a desktop in any environment. Moreover, the compact design allows for an efficient and tidy installation, providing an ideal space-saving solution to keep your desk well-organized.

- One KVM console controls one USB DisplayPort computers and one USB-C device
- Superior video quality – up to 4096 x 2160 @ 60 Hz
- Computer selection via remote port selector
- Supports DisplayPort Alternate Mode (DP Alt Mode) which enables the USB connection to carry DisplayPort signals
- DisplayPort 1.2 and HDCP compliant¹
- Bus-powered – no external power adapter required
- The console USB ports can be used for USB peripheral sharing²
- Multiplatform support – Windows, Mac, Linux, Android, and iOS
- No software required
- Hook design for space-saving and organized workstation
- Supports USB hot-plugging

Note:

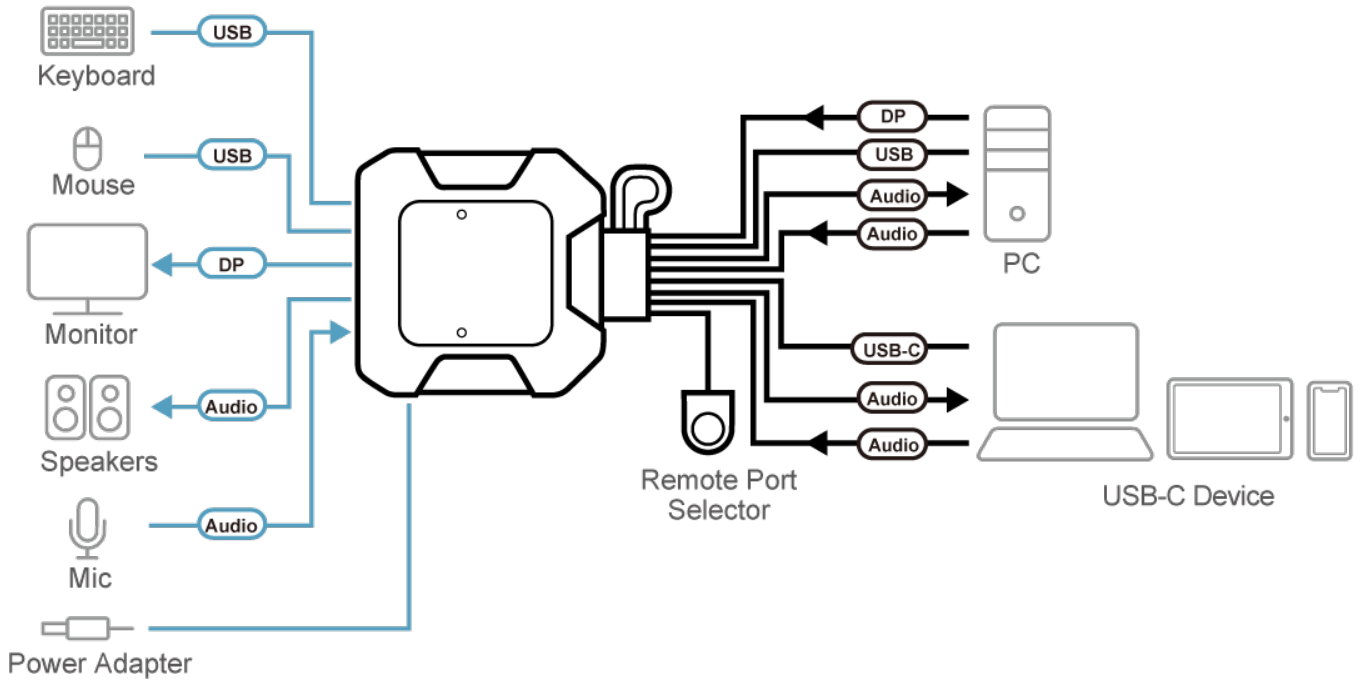
1. For DisplayPort 1.4 compliant display device, make sure to configure the device setting to be compatible with DisplayPort 1.2 to avoid compatibility issue.

2. The CS52DP may require an external power supply via the USB Micro-B Power Port. For the USB Micro-B cable connecting to the USB Micro-B Power Port, it requires a separate purchase based on the type of the power supply you use.

Specifications

Computer Connections	2
Port Selection	Remote Port Selector
Connectors	
Console Ports	1 x DisplayPort Female 2 x USB Type A Female 1 x 3.5mm Audio Jack Female (Green) 1 x 3.5mm Audio Jack Female (Pink)
KVM (Computer) Ports	CPU1: 1 x DisplayPort Male 1 x USB Type A Male 1 x 3.5mm Audio Jack Male (Green) 1 x 3.5mm Audio Jack Male (Pink) CPU2: 1 x USB Type C Male 1 x 3.5mm Audio Jack Male (Green) 1 x 3.5mm Audio Jack Male (Pink)
Power (Optional)	1 x USB Micro Type B Female
LEDs	
KVM Port (On Line /Selected)	2 (White)
Cable Length	
KVM	2 x 1.2 m
Remote Port Selector	1.8 m
Emulation	
Keyboard / Mouse	N/A
Video	Up to 4096 x 2160 @ 60Hz, 2560 x 1440 @ 144Hz
Power Consumption	DC5V:0.74W:8BTU/h Note: ● The measurement in Watts indicates the typical power consumption of the device with no external loading. ● The measurement in BTU/h indicates the power consumption of the device when it is fully loaded.
Environmental	
Operating Temperature	0 - 50°C
Storage Temperature	-20 - 60°C
Humidity	0-80% RH, Non-condensing
Physical Properties	
Housing	Plastic
Weight	0.30 kg (0.66 lb)
Dimensions (L x W x H)	8.34 x 8.42 x 3.04 cm (3.28 x 3.31 x 1.2 in.)
Note	For some of rack mount products, please note that the standard physical dimensions of WxDxH are expressed using a LxWxH format.

Diagram



ATEN International Co., Ltd.

3F., No.125, Sec. 2, Datong Rd., Sijhih District., New Taipei City 221, Taiwan
Phone: 886-2-8692-6789 Fax: 886-2-8692-6767
www.aten.com E-mail: marketing@aten.com



© Copyright 2015 ATEN® International Co., Ltd.
ATEN and the ATEN logo are trademarks of ATEN International Co., Ltd.
All rights reserved. All other trademarks are the property of their respective owners.