

US3311

2-Port 4K DisplayPort USB-C KVM Switch with Power Pass-through | Duo Flex (8K, USB 3.2 / 4.0, Thunderbolt 4 Compatible)



Switch, Create, Excel



Duo Flex
USB-C KVM Switch


USB-C Device x2


Fast Switch


USB3.2x4


5Gbps


100W PD

8K
4K144/120Hz


DisplayPort 1.4

Duo Flex

2-Port 4K DisplayPort USB-C KVM Switch
(8K, USB 3.2 / 4.0, Thunderbolt 4 Compatible)

Compatible with
Windows | M1/M2/M3 MacOS / iPadOS
Android | iPhone 15 Pro Series



"References to and representations of compatible products, such as those produced by Apple are not intended to suggest any endorsement or sponsorship by or affiliation with those product manufacturers."

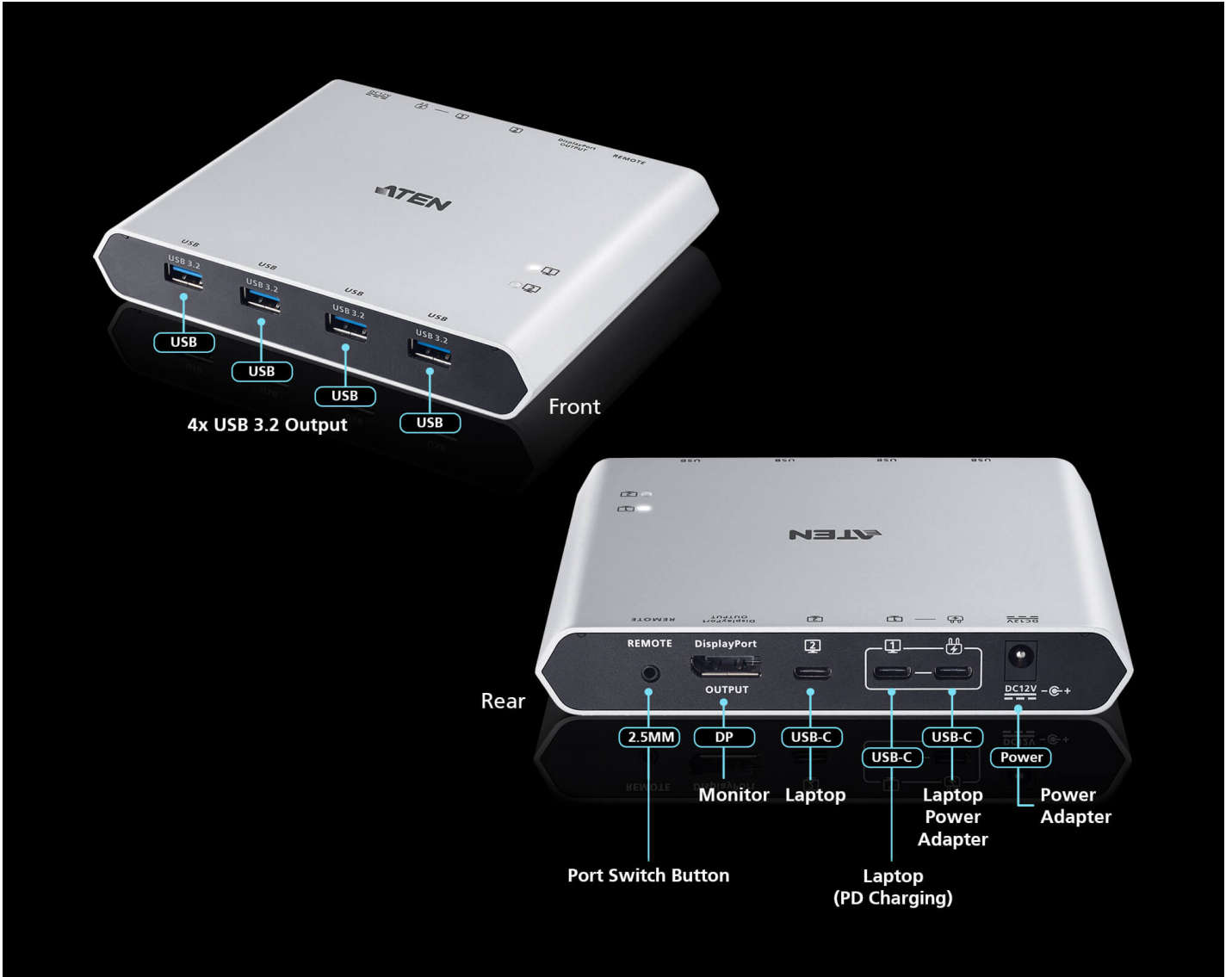
Switch Between 2 USB-C and/or Thunderbolt 3/4 Devices

ATEN Duo Flex 2-port 4K DisplayPort USB-C KVM Switch enables plug-n-play USB-C cable connection so that 2 USB-C and/or Thunderbolt 3/4 devices can share 1 monitor and 1 keyboard and mouse set, plus 4-port USB 3.2 SuperSpeed connectivity significantly to save desk space and boost your efficiency.

*Note: Please make sure your host device and its accessories meet the Thunderbolt 4 or USB 4.0, with DP 1.4 specifications to deliver up to 4K @ 144 / 120 Hz and 8K resolutions. The USB bandwidth may be limited to USB 2.0 when the video output resolution is over 4K @ 60 Hz.



Minimal Design, Maximum Impact



Superb 4-Port SuperSpeed Expansion

With 4 USB 3.2 gen1 ports, transfer data at up to 5Gb/s. Charge and power external devices, no need for an extra USB hub.

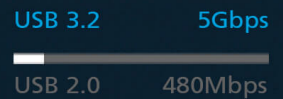
USB 3.2 5Gbps



Keyboard, Mouse, Hard Drive, Headset, Webcam, Speakers



10X
Faster than USB2.0



Support for Apple iPhone 15 Pro Series / MacBook Pro and Air Series / Mac Series / Samsung DeX

Designed to work with Apple iPhone 15 Pro series, MacBook Pro/Air series (including latest M1/M2/M3 chip models) with built-in USB-C or Thunderbolt 3/4 connectivity, all Mac series and Samsung DeX devices, it offers support for USB Power Delivery 3.0, allowing laptops to charge at up to 100W (requires an extra USB-C Power Adapter).

*Note: Please refer to User Manual for the list of supported MacBook models.



"References to and representations of compatible products, such as those produced by Apple are not intended to suggest any endorsement or sponsorship by or affiliation with those product manufacturers."

DisplayPort Alt Mode to Switch for Optimal Display Output

Press and hold the Port Switch button for 3 seconds to toggle between DP Alt 2-Lane and 4-Lane modes for the best video performance. In setups with mixed DP 1.2 and DP 1.4 configurations, each mode is optimized for different purposes:

- 2-Lane Mode: Prioritizes bandwidth for USB data transfer
- 4-Lane Mode: Optimizes high-resolution visual output

Note: Pressing the Port Switch button briefly allows for quick switching between two computer systems.
For more information about 2 Lane and 4 Lane modes, please refer to the user manual.

Exceptional AV Performance in Vivid 8K & 4K@144/120Hz

ATEN Duo Flex 2-port USB-C KVM Switch supports up to 8K and 4K@144/120Hz, and also works with 21:9 Ultrawide and 32:9 super Ultrawide monitors for graphics-intensive work.

* Note: Please make sure your host device and its accessories meet the Thunderbolt 4 or USB 4.0, with DP 1.4 specifications to deliver up to 4K @ 144 / 120 Hz and 8K resolutions. The USB bandwidth may be limited to USB 2.0 when the video output resolution is over 4K @ 60 Hz.



Work while Charging with 100W Power Delivery

Support for USB Power Delivery 3.0 enables the USB-C KVM switch to function as a charging station, allowing laptops to charge at up to 100W for optimized productivity.

Note: An additional USB-C power adapter is required for up to 100W power delivery.

3-Second Fast Switching with Superior Desktop Productivity

Exclusive ATEN technology brings astoundingly fast switching speed. Switching between two systems takes three seconds, making your workflow more efficient than ever before.

**This result is tested by ATEN. Actual switching speed may differ based on your computer's performance.*



**US3311
Duo Flex KVM Switch**

Other Brand

	US3311 Duo Flex KVM Switch	Other Brand
PC Connection	✓ 2 USB-C x 2	3, USB-C x1, HDMI x 2
Switching Speed	✓ 3 Seconds High-speed Efficiency	9 Seconds
Port Switching	✓ Remote Port Selector Pluggable Port Switch Button for flexible access	Built-in Pushbutton
Console Interface	✓ USB-A x 4, DisplayPort x 1 Plug-n-Play Expansion	USB-A x 2, HDMI x 1
Computer Interface	✓ USB-C x 2 Reduced cabling for tidier desktop	USB-C x 1, USB-A + HDMI x 2
USB Standard	✓ USB 3.2 Gen 1 Speedy data transmission	USB 2.0
Power Delivery	✓ 100W Charge up to 2x computer simultaneously	N/A
Package Content	✓ USB-C Cable x 2, 40W Power Adapter x 1 A true value-packed offer with complimentary USB-C cables!	Power Adapter only

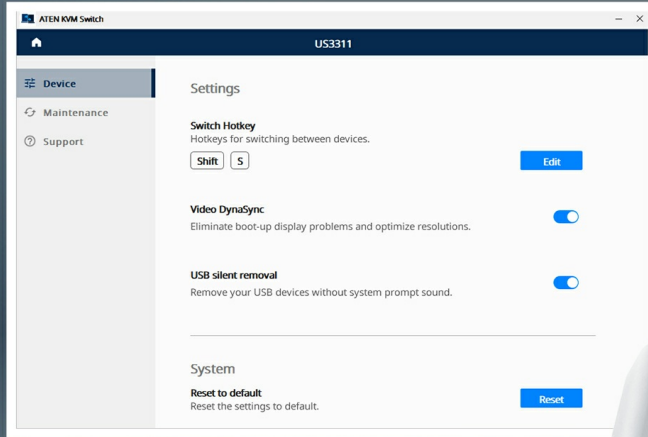
Get the Most Out of Your KVM Switch

Utilize the ATEN KVM Utility software to unlock additional useful features, including hotkey switching and USB Silent Removal, enhancing efficiency in all your tasks.

* Please download the "ATEN KVM Utility" application on the Microsoft Store or Mac App Store.



ATEN KVM Utility



Switch Hotkey

Video DynaSync

USB Silent Removal



ATEN KVM Utility



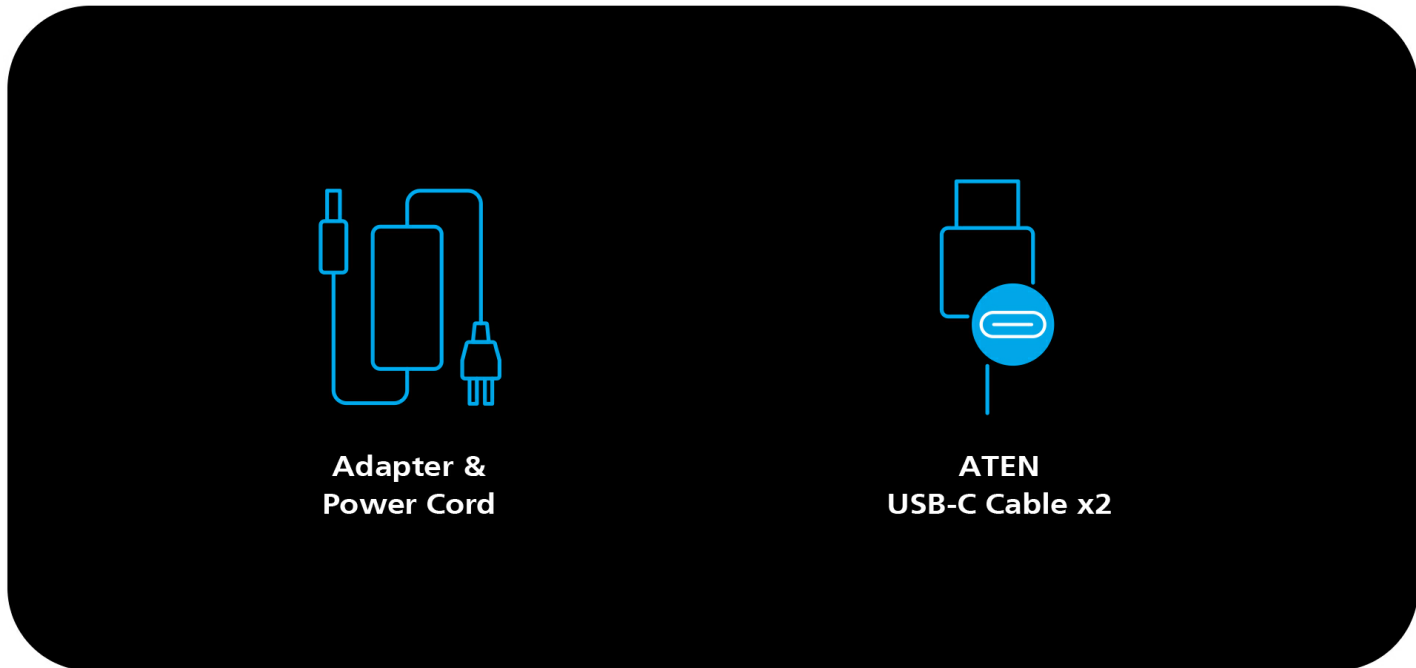
45 Years of Quality Assurance

As the leading brand in KVM switches, ATEN has entered its 45th year this year. Exquisite manufacturing processes and stable quality are ATEN's commitment to consumers. Utilizing industrial-grade rigorous manufacturing techniques and software design, the ATEN Duo Flex is capable of effortlessly handling any consumer-level application.



Thoughtful Accessories

The ATEN Duo Flex package includes a power adapter and power cord, along with two stable and high-speed USB-C cables. This ensures that users do not need to separately purchase a power supply to use the device stably. The high-speed USB-C cables also enable connected devices to operate at a fast and stable performance.



Unlimited Possibilities

ATEN Duo Flex 2-port USB-C KVM Switch is perfectly suited to graphics / data intensive and multitasking operations.



Content Creation

It's an excellent space saver!

It only requires one cable to power everything up, show the screen on my 4K display, and to switch my mouse and keyboards between devices.

Perfectly fits my needs

This KVM delivers on the promise of multiple features over USB-C. It handily switches video and USB peripherals between devices.



Freelance Art Designer



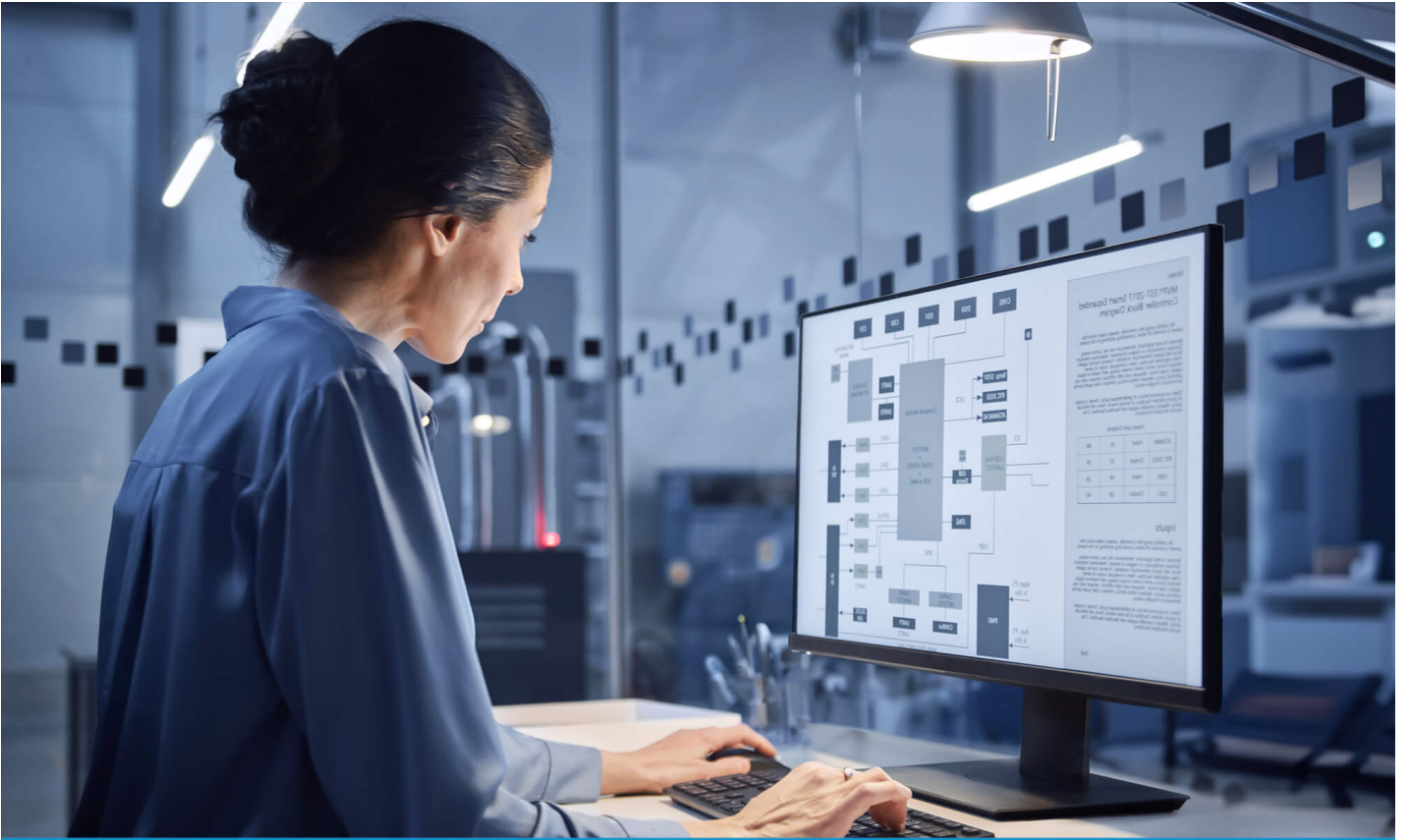
Work-from-Home Engineer

Best investment!

It allows me to share my mouse and keyboard with my MBP (MacBook Pro) when I just want to quickly sit down and work. It's an incredible time-saver!

Wish I bought it sooner!

It's a game-changer that enhances productivity and efficiency.



Office Worker

	US3311	US3310	US3312
Category	Pro Model	Standard Model	Entry Model
Device Type	KVM Switch	KVM Switch	Cable KVM Switch
# of Computers	2	2	2
Console Interface	USB, DisplayPort	USB, HDMI	USB, DisplayPort
Computer Interface	USB-C	USB-C	USB-C
USB Peripheral	USB 3.2	USB 3.2	USB 2.0
# of USB Ports	4	2	2
Video	3840 x 2160 @144 / 120 / 60 Hz; 7680 x 4320	3840 x 2160 @30 Hz	4096 x 2160 @ 60 Hz
Power Delivery	100W	85W	N/A
Port Selection	Port Switch Button	Port Switch Button	Port Switch Button
Multi-platform Support	Windows / MacOS / Android™ / iPadOS / iOS	Windows / MacOS / Android™ / iPadOS / iOS	Windows / MacOS / Android™ / iPadOS / iOS

Talk to Our Experts

If you prefer to have ATEN contact you, please complete the form and a representative will be in touch with you shortly

First Name *

Last Name *

- Country *

Company *

Email *

Phone Number

- Customer Type *

Job Title *

8K 4K TRUE DP 1.4 USB 3.2

Computers

USB-C

PD 3.0

USB 3.2 Gen 1

Power Pass-Thru

Features

Built to deliver easy control and seamless switching between dual USB-C hosts, the US3311 is a 2-in-1 solution combining a KVM switch and a multiport dock with 4 x USB Type-A ports, 1 x DisplayPort, 1 x USB-C PD input, and 1 x DC jack input. Quick switching from one laptop to the other is made easy through one press of the dedicated port switch button, enabling use of the same USB peripherals and a single DisplayPort monitor for two host devices. Work efficiency is boosted without the need to switch workstations or unplug peripherals.

Other highlights include video resolution support for up to 8K 7680 x 4320, 4K 3840 x 2160 @ 144 / 120 / 60 Hz*, ensuring that every video detail is displayed in crisp UHD quality. The US3311 is a 4-port USB 3.2 Gen 1 Type-A hub with up to 5 Gbps data transfer rates while supporting high-speed downstream devices. Furthermore, the Power Delivery 3.0 technology enables charging of the host device with up to 100 W, allowing your laptop to obtain the maximum power via your USB-C power adapter. The US3311 helps save valuable desk space and expands the functionality and connectivity of your Mac laptops, creating an ultra-powerful USB-C workstation.

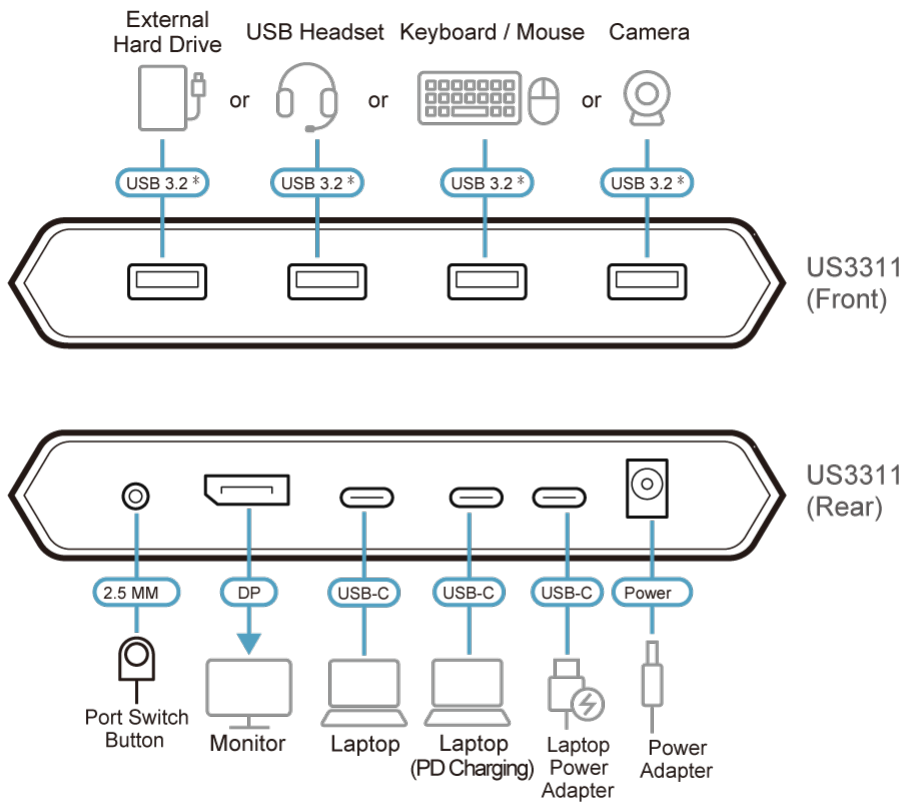
- 2-in-1 solution for 2 USB-C host devices – combines a KVM switch and a multiport dock with 4 x USB 3.2 Gen 1 Type-A ports, 1 x DisplayPort, 1 x USB-C PD input, and 1 x DC jack input
- Supports DP 1.4 Alt Mode
- Superior video quality – up to 8K 7680 x 4320, 4K 3840 x 2160 @ 144 / 120 / 60 Hz*
- USB 3.2 Gen 1 compliant
- Up to 5 Gbps data transfer rates
- Supports PD 3.0 up to 100 W USB PD charging – allows your laptop to obtain the maximum power via your USB-C power adapter
- Host devices can be selected with the included port switch button or the hotkeys set via ATEN KVM Utility app
- Plug-and-Play – no drivers needed

Note: Please make sure your host device and its accessories meet the Thunderbolt 4 or USB 4.0, with DP 1.4 specifications to deliver up to 4K @ 144 / 120 Hz and 8K resolutions. The USB bandwidth may be limited to USB 2.0 when the video output resolution is over 4K @ 60 Hz.

Specifications

Computer Connections	2
Connectors	
Computer	CPU1: 1 x USB Type C Female CPU2: 1 x USB Type C Female
Device	4 x USB 3.2 Gen 1 Type-A Female
Video Output	1 x DisplayPort Female
Power	1 x DC jack for 12V 3.3A 1 x USB-C Female* Port 1 : Supports USB-C PD laptop charging at 5V, 9V, 15V, 20V output Port 2 : Supports max. 5V, 3A output *Supports maximum 100W USB-C PD power adapter input.
Port Selection	
Input	Port Switch Button
Video Resolution	3840 x 2160@60 3840 x 2160@120 3840 x 2160@144 7680 x 4320 Note: Please make sure your host device and its accessories meet the Thunderbolt 4 or USB 4.0, with DP 1.4 specifications to deliver up to 4K @ 144 / 120 Hz and 8K resolutions. The USB bandwidth may be limited to USB 2.0 when the video output resolution is over 4K @ 60 Hz.
System Requirements	Windows 10 and above, USB-C enabled computer with DP Alt Mode* * With Intel 7th-Generation Core Processor (Kaby-Lake) and above. More info about CPU generation, please find: https://www.intel.com/content/www/us/en/processors/processor-numbers.html Mac OS X 10.12 and later, USB-C enabled computer Android 8.0 and later, USB-C enabled Smartphone with DP Alt Mode** **Only Samsung and Huawei support PC-like operation, others only support mirror mode. For a list of supporting mobile device, refer to US3311's user manual. iPadOS 13.1 and later, iPad Pro (USB-C)* *Support video output in mirror mode iOS 17.1 and later* *Compatible with the Apple iPhone 15 Pro series.
Power	
Maximum Input Power Rating	DC12V, 3.3A
Power Consumption	DC12V:1.68W:117BTU/h Note: ● The measurement in Watts indicates the typical power consumption of the device with no external loading. ● The measurement in BTU/h indicates the power consumption of the device when it is fully loaded.
LEDs	
Selected	2 (White)
Environmental	
Operating Temperature	0-40°C
Storage Temperature	-20-60°C
Humidity	0-80% RH, Non-condensing
Physical Properties	
Housing	Aluminum
Weight	0.35 kg (0.77 lb)
Dimensions (L x W x H)	14.30 x 11.90 x 2.38 cm (5.63 x 4.69 x 0.94 in.)
Note	For some of rack mount products, please note that the standard physical dimensions of WxDxH are expressed using a LxWxH format.

Diagram



*The indicated ports are USB 3.2 Gen 1 compliant.

ATEN International Co., Ltd.

3F., No.125, Sec. 2, Datong Rd., Sijhih District., New Taipei City 221, Taiwan
 Phone: 886-2-8692-6789 Fax: 886-2-8692-6767
 www.aten.com E-mail: marketing@aten.com



© Copyright 2015 ATEN® International Co., Ltd.
 ATEN and the ATEN logo are trademarks of ATEN International Co., Ltd.
 All rights reserved. All other trademarks are the property of their respective owners.