

## CS1188DP4C

8-Port USB DisplayPort Secure KVM Switch with CAC (PSD PP v4.0 Compliant)



ATEN PSD PP v4.0 Secure KVM Switch CS1188DP4C is specifically designed to meet the stringent security requirement of secure defense and intelligence installations. ATEN PSD PP v4.0 Secure KVM Switch CS1188DP4C is compliant with PSD PP v4.0 (Protection Profile for Peripheral Sharing Device, Version 4.0) standard certified by the National Information Assurance Partnership (NIAP).

ATEN PSD PP v4.0 Secure KVM Switch CS1188DP4C provides isolation between computer sources and peripherals while sharing a single keyboard, mouse, monitor, speaker set, and Common Access Card (CAC) reader between connected computers of various security classifications. Compliance with PSD PP v4.0 ensures peripheral sharing capabilities provide maximum user data security when switching port focus, preventing unauthorized data flows or leakage between connected sources. Key protections include isolation and unidirectional data flow, restricted peripheral connectivity and filtering, user data protection, configurable device filtration and management, strict audio filtration, and always-on tamper-proof design, keeping sensitive assets isolated and providing advanced security and a user friendly design for instantly secure deployment.

To enhance security, ATEN PSD PP v4.0 Secure KVM Switch CS1188DP4C only offers manual switching methods including front panel pushbuttons and [Remote Port Selector](#) (RPS) <sup>1</sup>. With multi-layered security, ATEN PSD PP v4.0 Secure KVM Switch CS1188DP4C ensures high-level desktop security and data safekeeping for applications such as government and military agencies, healthcare providers, banking and finance institutions, and other organizations that often handle sensitive or confidential data on separate networks.

**Note:**

1. The [Remote Port Selector](#) is not supplied in the package and requires a separate purchase.



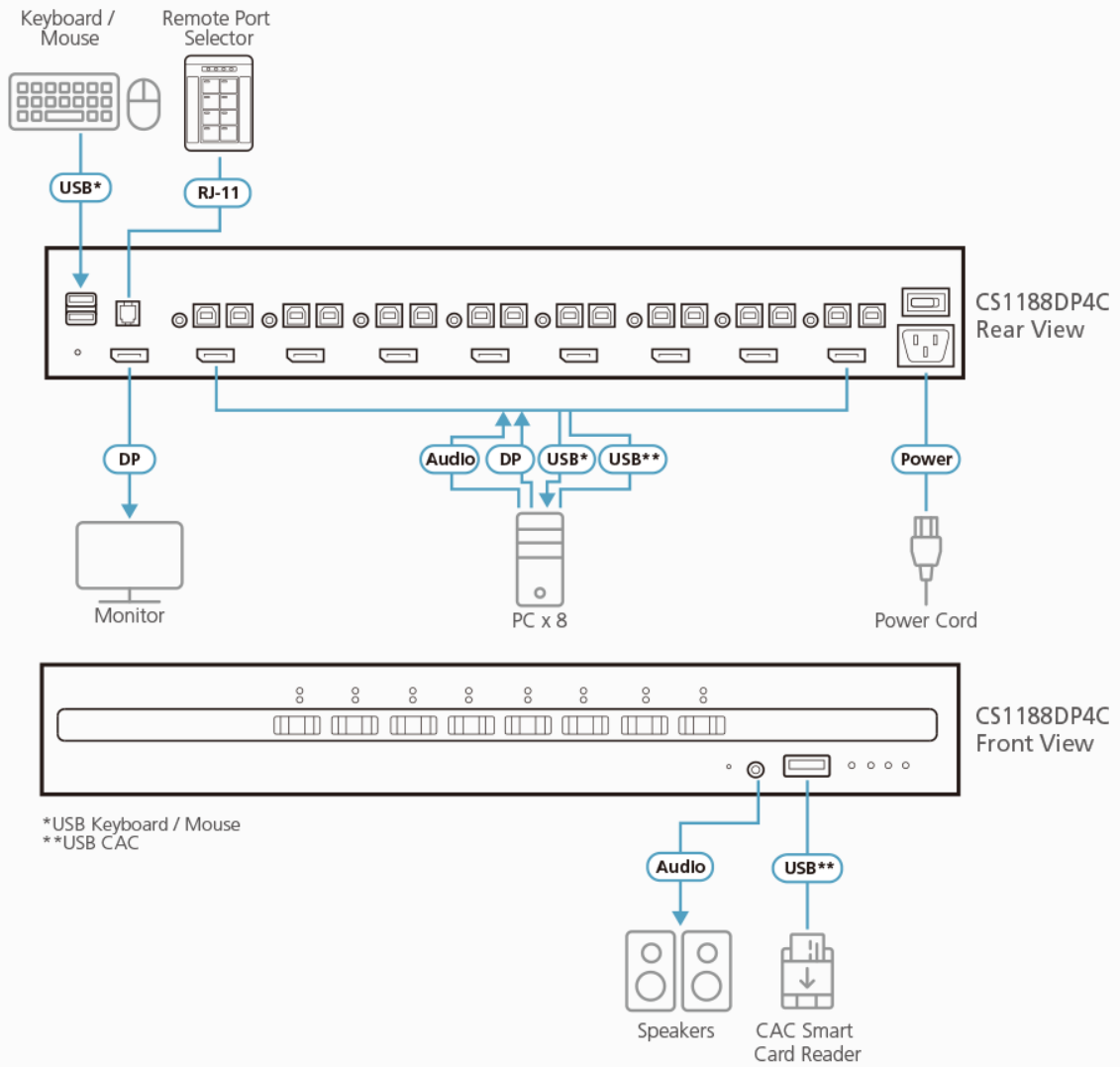
## Features

- **NIAP Common Criteria Compliant**
    - Compliant with PSD PP v4.0 (Protection Profile for Peripheral Sharing Device, Version 4.0) security requirements
  - **Multi-Layered Security**
    - Always-on chassis intrusion detection – renders the ATEN PSD PP v4.0 Secure KVM Switch series inoperable when physical tampering is detected
    - Tamper-evident labels – provides visual indication of any attempt to access the ATEN PSD PP v4.0 Secure KVM Switch's internal components
    - Non-reprogrammable firmware – prevents reprogramming the ATEN PSD PP v4.0 Secure KVM Switch's firmware
    - Restricted peripheral connectivity – non-authorized HID's (Human Interface Devices), video, or authentication device connections are rejected
    - Port selection via pushbuttons / [Remote Port Selector](#) (RPS) <sup>1</sup> only to enhance security
    - LED indicators for peripheral filtering and KVM security status
    - Strict audio filtration protects against audio leakage
    - Rugged metal enclosure
  - **Data Channel Isolation and Unidirectional Data Flow**
    - True data path isolation – data cannot be transferred between computers
    - The ATEN PSD PP v4.0 Secure KVM Switch controls and isolates data flow between console devices and connected computers
    - Unidirectional data flow between console devices and the selected computer is ensured
    - Supports analog audio (speaker only) <sup>2</sup>
  - **User Data Protection**
    - The ATEN PSD PP v4.0 Secure KVM Switch's keyboard / mouse data is automatically deleted after transmission and automatically purged when the KVM port focus is switched
  - **Security Management**
    - Supports administrative configuration of CAC Port filtering to accept or reject specific USB authentication devices
    - Supports administrative configuration of keyboard / mouse ports filtering to reject specific USB HID devices
    - Provides administrative functions for authorized administrators to audit KVM log data
    - Supports enable / disable CAC function by port
  - **Superior Video Quality**
    - Superior video quality – up to 4K (3840 x 2160 @ 30 Hz) <sup>3</sup>
    - Video DynaSync™ – Exclusive ATEN technology eliminates boot-up display problems and optimizes resolutions when switching among different sources
1. The [Remote Port Selector](#) is not supplied in the package and requires a separate purchase.  
2. Only analog speaker data input is supported.  
3. The DisplayPort Secure KVM Switch series supports console video output resolutions up to 3840 x 2160 @ 30 Hz.

**Specifications**

Computer Connections	8
Port Selection	Pushbutton, Remote Port Selector
Connectors	
Console Ports	1 x DisplayPort Female (Black) 2 x USB Type-A Female (White) 1 x Mini Stereo Jack Female (Green; front panel)
KVM Ports	16 x USB Type-B Female (White) 8 x DisplayPort Female (Black) 8 x Mini Stereo Jack Female (Green)
Power	1 x 3-prong AC Socket
USB CAC Port	1 x USB Type-A Female (White; front panel)
Remote Port Selector	1 x RJ-11 (Black; rear panel)
Switches	
Port Selection	8 x Pushbuttons
Reset	1 x Semi-recessed Pushbutton
Power	1 x Rocker
LEDs	
Power	1 (Green)
Online / Selected (KVM Port)	8 (Orange)
Online / Selected (CAC Port)	8 (Green)
Video	1 (Green)
Key Lock	3 (Green)
Emulation	
Keyboard / Mouse	USB
Video	Max. 3840 x 2160 @ 30 Hz (UHD)
Maximum Input Power Rating	100–240V~; 50-60 Hz; 1A
Power Consumption	AC110V:13.1W:87BTU/h AC220V:13.2W:87BTU/h  Note: ● The measurement in Watts indicates the typical power consumption of the device with no external loading. ● The measurement in BTU/h indicates the power consumption of the device when it is fully loaded.
Environmental	
Operating Temperature	0-50°C
Storage Temperature	-20-60°C
Humidity	0 - 80% RH, Non-condensing
Physical Properties	
Housing	Metal
Weight	3.00 kg ( 6.61 lb )
Dimensions (L x W x H)	43.24 x 20.49 x 6.55 cm (17.02 x 8.07 x 2.58 in.)
Note	For some of rack mount products, please note that the standard physical dimensions of WxDxH are expressed using a LxWxH format.

Diagram



**ATEN International Co., Ltd.**

3F, No.125, Sec. 2, Datong Rd., Sijhih District., New Taipei City 221, Taiwan  
 Phone: 886-2-8692-6789 Fax: 886-2-8692-6767  
 www.aten.com E-mail: marketing@aten.com



© Copyright 2015 ATEN® International Co., Ltd.  
 ATEN and the ATEN logo are trademarks of ATEN International Co., Ltd.  
 All rights reserved. All other trademarks are the property of their respective owners.