

VE601

DVI HDBaseT-Lite Extender (1080p@70m)
(HDBaseT Class B)



The VE601 DVI HDBaseT-Lite Extender is able to extend a DVI 1080p display up to 70 m using an Ethernet cable. This combination of ATEN and HDBaseT technology even supports sharing 1920 x 1200 media up to 40 m away, offering a simple, adaptable, and cost-effective solution for any professional A/V installation.

The VE601 DVI HDBaseT-Lite Extender is the perfect solution for professional A/V installations that require video signal interference protection, such as in medical and military installations. With its lightweight and easy-to-mount design, not to mention slip-resistant DC Jack lock mechanism, the VE601 can be installed nearly anywhere while ensuring peace of mind with its unerring reliability.



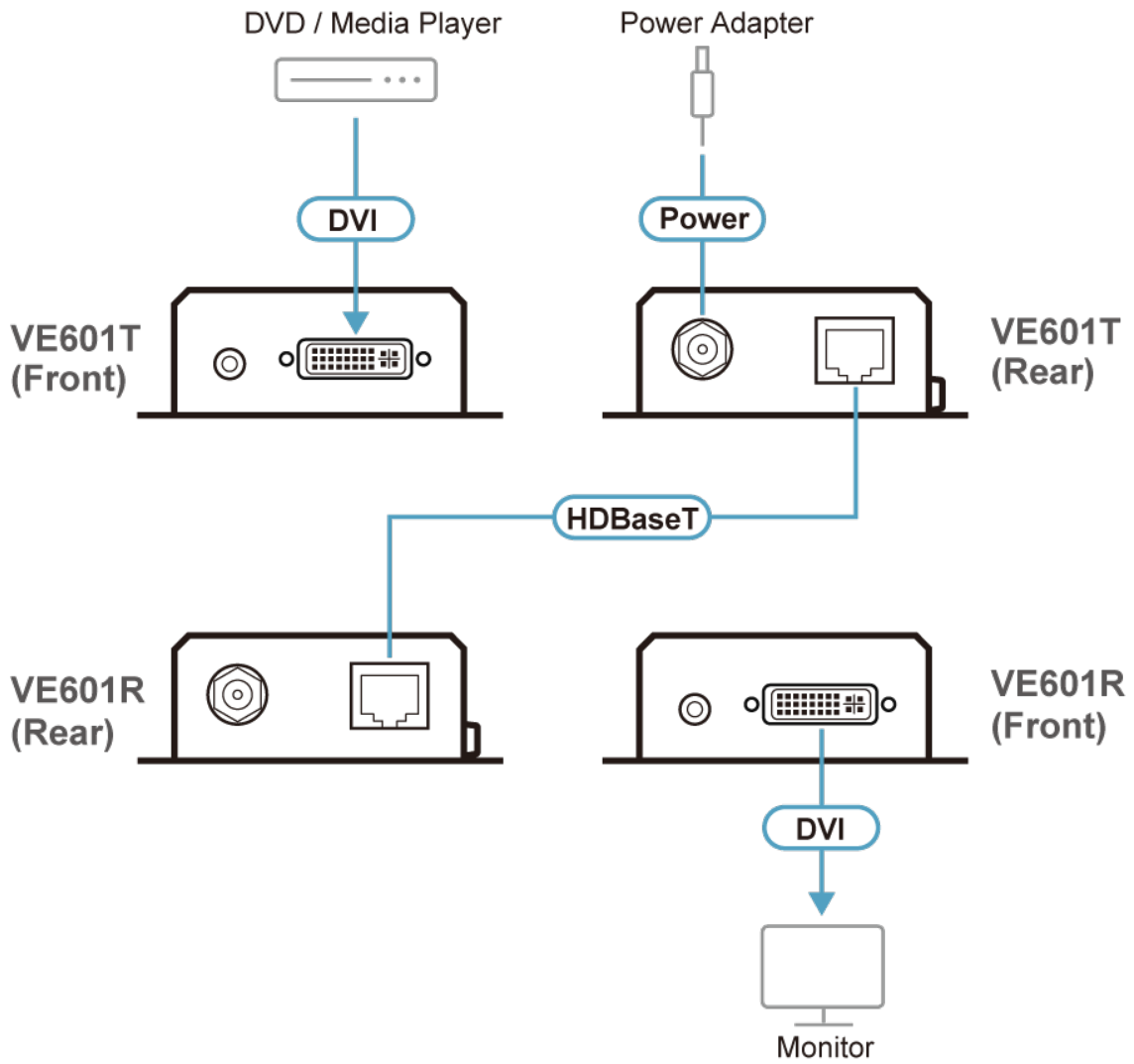
Features

- HDBaseT connectivity – extends a DVI connection up to 70 m
- Superior video quality – 1920 x 1200 @ 35 m (Cat 5e / 6) / 40 m (Cat 6a) ; 1080p @ 60 m (Cat 5e / 6) / 70 m (Cat 6a / ATEN 2L-2910)
- DVI (3D, Deep Color); HDCP 1.4 compliant
- HDBaseT Anti-Jamming – resists signal interference during video transmission
- Plug-and-play
- Rack-mountable

Specifications

Function	VE601R	VE601T
Video Input		
Interfaces	N/A	1 x DVI-D Female (White)
Impedance	N/A	100 Ω
Max. Distance	N/A	Up to 1.8m
Video Output		
Impedance	100 Ω	N/A
Interfaces	1 x DVI-D Female (White)	N/A
Video		
Max. Pixel Clock	340 MHz	340 MHz
Max. Data Rate	10.2Gbps (3.4Gbps per lane)	10.2Gbps (3.4Gbps per lane)
Compliance	DVI (3D, Deep Color) HDCP compatible	DVI (3D, Deep Color) HDCP compatible
Max. Resolutions / Distance	Up to 1920 x 1200@35 m (Cat 5e/6) / 40 m (Cat 6a/ATEN 2L-2910 Cat6); 1080p@60 m (Cat 5e/6) / 70 m (Cat 6a/ATEN 2L-2910 Cat6)	Up to 1920 x 1200@35 m (Cat 5e/6) / 40 m (Cat 6a/ATEN 2L-2910 Cat6); 1080p@60 m (Cat 5e/6) / 70 m (Cat 6a/ATEN 2L-2910 Cat6)
Connectors		
Power	1 x DC Jack with locking	1 x DC Jack with locking
Unit To Unit	1 x RJ-45 Female	1 x RJ-45 Female
Power Consumption	DC5V:4.36W:20BTU Note: ● The measurement in Watts indicates the typical power consumption of the device with no external loading. ● The measurement in BTU/h indicates the power consumption of the device when it is fully loaded.	DC5V:1.84W:9BTU Note: ● The measurement in Watts indicates the typical power consumption of the device with no external loading. ● The measurement in BTU/h indicates the power consumption of the device when it is fully loaded.
Environmental		
Operating Temperature	0-50°C	0-50°C
Storage Temperature	-20 - 60°C	-20 - 60°C
Humidity	0% - 80% RH, Non-condensing	0% - 80% RH, Non-condensing
Physical Properties		
Housing	Metal	Metal
Weight	0.25 kg (0.55 lb)	0.25 kg (0.55 lb)
Dimensions (L x W x H) with bracket	10.20 x 8.70 x 3.00 cm (4.02 x 3.43 x 1.18 in.)	10.20 x 8.70 x 3.00 cm (4.02 x 3.43 x 1.18 in.)
Dimensions (L x W x H) without bracket	9.42 x 6.60 x 2.90 cm (3.71 x 2.6 x 1.14 in.)	9.42 x 6.60 x 2.90 cm (3.71 x 2.6 x 1.14 in.)

Diagram



ATEN International Co., Ltd.

3F., No.125, Sec. 2, Datong Rd., Sijhih District., New Taipei City 221, Taiwan
Phone: 886-2-8692-6789 Fax: 886-2-8692-6767
www.aten.com E-mail: marketing@aten.com



© Copyright 2015 ATEN® International Co., Ltd.
ATEN and the ATEN logo are trademarks of ATEN International Co., Ltd.
All rights reserved. All other trademarks are the property of their respective owners.