

VE601T

DVI HDBaseT-Lite Transmitter (1080p@70m)
(HDBaseT Class B)



The VE601T DVI HDBaseT-Lite Extender is able to extend a DVI 1080p display up to 70 m using an Ethernet cable. This combination of ATEN and HDBaseT technology even supports sharing 1920 x 1200 media up to 40 m away, offering a simple, adaptable, and cost-effective solution for any professional A/V installation.

The [VE601](#) DVI HDBaseT-Lite Extender is the perfect solution for professional A/V installations that require video signal interference protection, such as in medical and military installations. With its lightweight and easy-to-mount design, not to mention slip-resistant DC Jack lock mechanism, the [VE601](#) can be installed nearly anywhere while ensuring peace of mind with its unerring reliability.

* Compatible HDBaseT Receiver Units: [VE601R](#), [VE801R](#)



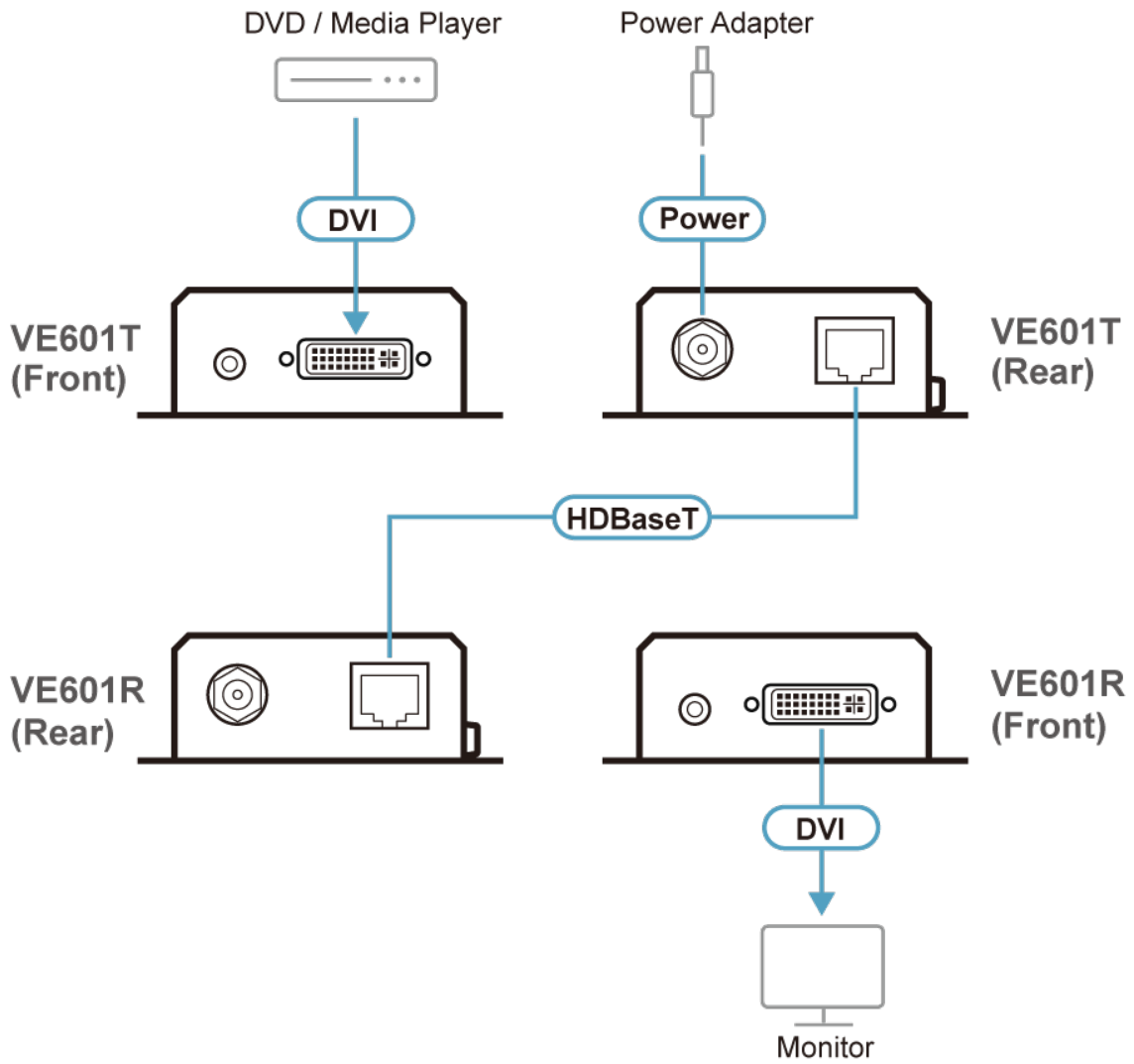
Features

- HDBaseT connectivity – extends a DVI connection up to 70 m
- Superior video quality – 1920 x 1200 @ 35 m (Cat 5e / 6) / 40 m (Cat 6a) ; 1080p @ 60 m (Cat 5e / 6) / 70 m (Cat 6a / ATEN [2L-2910](#))
- DVI (3D, Deep Color); HDCP 1.4 compliant
- HDBaseT Anti-Jamming – resists signal interference during video transmission
- Plug-and-play
- Rack-mountable

Specifications

Video Input	
Interfaces	1 x DVI-D Female (White)
Impedance	100Ω
Max. Distance	Up to 1.8m
Video	
Max. Pixel Clock	340 MHz
Max. Data Rate	10.2Gbps (3.4Gbps per lane)
Compliance	DVI (3D, Deep Color) HDCP compatible
Max. Resolutions / Distance	Up to 1920x1200@35 m (Cat 5e/6) / 40 m (Cat 6a/ATEN 2L-2910 Cat6); 1080p@60 m (Cat 5e/6) / 70 m (Cat 6a/ATEN 2L-2910 Cat6)
Connectors	
Power	1 x DC Jack with locking
Unit To Unit	1 x RJ-45 Female
Power Consumption	DC5V:1.84W:9BTU/h Note: ● The measurement in Watts indicates the typical power consumption of the device with no external loading. ● The measurement in BTU/h indicates the power consumption of the device when it is fully loaded.
Environmental	
Storage Temperature	-20 - 60°C
Operating Temperature	0-50°C
Humidity	0% - 80% RH, Non-condensing
Physical Properties	
Housing	Metal
Weight	0.25 kg (0.55 lb)
Dimensions (L x W x H) with bracket	10.20 x 8.70 x 3.00 cm (4.02 x 3.43 x 1.18 in.)
Dimensions (L x W x H) without bracket	9.42 x 6.60 x 2.90 cm (3.71 x 2.6 x 1.14 in.)

Diagram



ATEN International Co., Ltd.

3F., No.125, Sec. 2, Datong Rd., Sijhih District., New Taipei City 221, Taiwan
 Phone: 886-2-8692-6789 Fax: 886-2-8692-6767
 www.aten.com E-mail: marketing@aten.com



© Copyright 2015 ATEN® International Co., Ltd.
 ATEN and the ATEN logo are trademarks of ATEN International Co., Ltd.
 All rights reserved. All other trademarks are the property of their respective owners.