

VE811T

HDMI HDBaseT Transmitter (4K@100m) (HDBaseT Class A)



The ATEN VE811T HDMI HDBaseT Extender guarantees the optimum 4K HDMI signal transmission across up to 100 m via a single Cat 5e/6/6a or ATEN [2L-2910](#) Cat 6 cable. In addition, with the support for Long Reach Mode, it extends HDMI signals @ 1080p up to 150 m via a single Cat 5e/6 cable. The VE811T meets HDMI specification features including 3D, Deep Color, HD lossless audio formats and CEC pass-through. Plus, it supports Dolby Digital 7.1 ch and DTS HD audio.

Pushing the technology and design to the limit, the compact design makes the VE811T easy to mount in any location. Engineered for today's digital trends, the VE811T is ideal for meeting rooms, or any setting that requires high quality HDMI video to be extended for great distances.



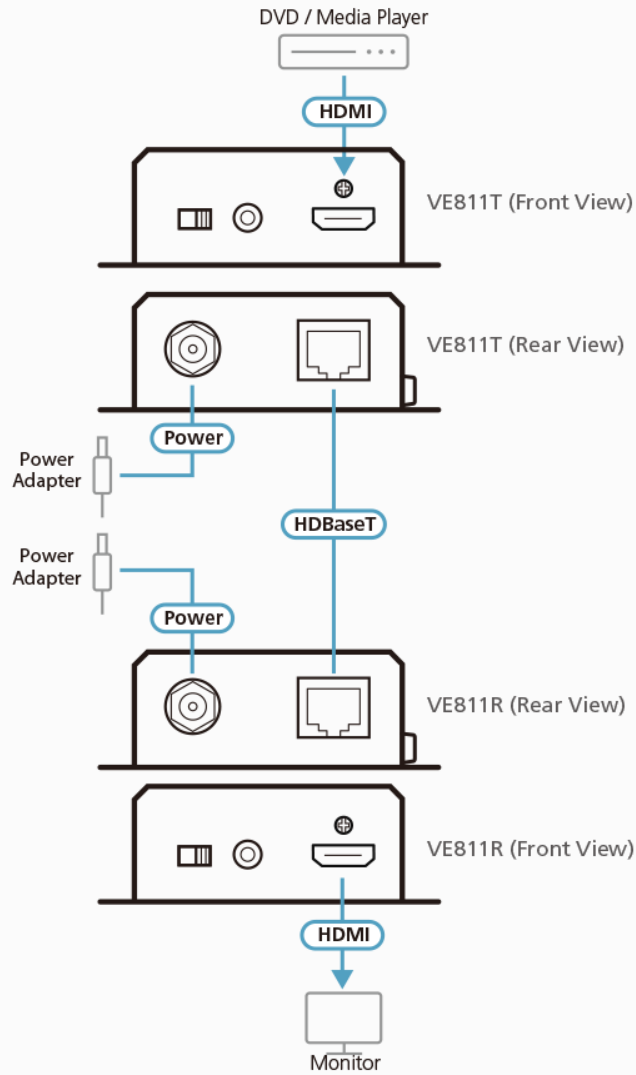
Features

- HDBaseT connectivity – extends 4K HDMI signals up to 100m via a single Cat 5e/6/6a or ATEN [2L-2910](#) Cat 6 cable
- Supports HDBaseT Long Reach Mode – up to 150 m via a single Cat 5e/6 cable at resolutions up to 1080p
- HDMI (3D, Deep Color, 4K)
- HDCP 2.2 compatible
- Supports resolutions of up to 4K and 1080p
- Consumer Electronic Control (CEC) allows interconnected HDMI devices to communicate and respond to a single remote control
- Supports wide screen format
- Plug and play – no software required
- Built-in 8kV / 15kV ESD protection
- Rack mountable

Specifications

| | |
|--|--|
| Video Input | |
| Interfaces | 1 x HDMI Type A Female (Black) |
| Impedance | 100 Ω |
| Max. Distance | 3 m |
| Video | |
| Max. Data Rate | 10.2Gbps (3.4Gbps per lane) |
| Max. Pixel Clock | 340 MHz |
| Compliance | HDMI (3D, Deep Color, 4K) HDCP2.2 Compatible Consumer Electronics Control (CEC) |
| Max. Resolutions / Distance | Up to 4K@70m (Cat 5e/6) / 100m (Cat 6a/ATEN 2L-2910 Cat6); 1080p@100m (Cat 5e/6/6a) *4K supported: 4096 x 2160 / 3840 x 2160 @ 60Hz (4:2:0); 4096 x 2160 / 3840 x 2160 @ 30Hz (4:4:4) |
| Audio | |
| Input | 1 x HDMI Type A Female (Black) |
| Connectors | |
| Unit To Unit | 1 x RJ-45 Female |
| Firmware Upgrade | 1 x Mini Stereo Jack Female (Black) |
| Power | 1 x DC Jack (Black) with locking |
| Switches | |
| Long Reach Mode Switch | 1 x Slide Switch - ON/OFF |
| Power Consumption | DC5V:3.77W:18BTU/h Note: ● The measurement in Watts indicates the typical power consumption of the device with no external loading. ● The measurement in BTU/h indicates the power consumption of the device when it is fully loaded. |
| Environmental | |
| Operating Temperature | 0 - 40°C |
| Storage Temperature | -20 - 60°C |
| Humidity | 0 - 80% RH, Non-Condensing |
| Physical Properties | |
| Housing | Metal |
| Weight | 0.16 kg (0.35 lb) |
| Dimensions (L x W x H) with bracket | 8.64 x 7.30 x 2.47 cm (3.4 x 2.87 x 0.97 in.) |
| Dimensions (L x W x H) without bracket | 8.20 x 5.20 x 2.37 cm (3.23 x 2.05 x 0.93 in.) |

Diagram



ATEN International Co., Ltd.

3F, No.125, Sec. 2, Datong Rd., Sijhih District., New Taipei City 221, Taiwan
 Phone: 886-2-8692-6789 Fax: 886-2-8692-6767
 www.aten.com E-mail: marketing@aten.com



© Copyright 2015 ATEN® International Co., Ltd.
 ATEN and the ATEN logo are trademarks of ATEN International Co., Ltd.
 All rights reserved. All other trademarks are the property of their
 respective owners.