

CS1708i

1-Local / Remote Shared Access 8-Port PS/2-USB VGA KVM over IP Switch



The CS1708i KVM switch is an IP-based KVM control unit that allows both local and remote operators to monitor and access multiple computers. Remote users access the switches over the Internet by means of a web browser using TCP / IP for its remote communications protocol. The CS1708i supports up to 32 concurrent user logins for single-bus computer access. A built-in feature that resembles an Internet chat program - the Message Board - lets them communicate with each other. The ability to exchange information in real time allows them to cooperatively manage the installation in a smooth and efficient manner.

[ENQUIRE A TEST NOW!](#)

Among the CS1708i other outstanding features, a Panel Array Mode provides the ability to monitor up to 8 servers per switch; while the Mouse DynaSync™ feature automatically synchronizes the local and remote mouse pointer movements for perfect alignment regardless of what the mouse acceleration settings on the server are.

The CS1708i supports the highest security protocols, such as TLS 1.2 encryption for the browser, and RC4 encryption for secure keyboard, mouse, and video data transmission. For easier and more efficient user management integration, the CS1708i also supports authentication and authorization via remote servers, such as RADIUS, LDAP, LDAPS, and MS Active Directory.

These powerful features not only help administrators manage their server room in an efficient and flexible manner, they provide a cost effective management solution for the SMB sector.

Note: ** The video quality of CS1708i has been enhanced to Full HD. To distinguish between the non-FHD and FHD versions, please refer to below link: [FHD & Non-FHD Comparison Photo](#)

Features

Management

- Up to 64 user accounts
- Convenient computer selection via front panel pushbuttons, hotkeys and multi-lingual on-screen display (OSD) menus
- Up to 32 concurrent logins
- Multi-language web UI support featuring a tree-structured local and remote OSD
- Adjustable video quality for flexible adaptation to diverse network environments
- Auto Scan feature for monitoring user-selected computers
- Broadcast mode – operations from the keyboard can be simultaneously performed on all selected computers on the installation (software installation, system-wide shutdown, etc.)
- Firmware upgradable
- Backup and restore configuration and user account settings
- Event logging
- Enable / disable browser access
- IPv6 capable

Ease-to-Use Interface

- Browser-based and AP GUIs, together with a menu-driven OSD for the local console, provide a powerful, intuitive, user-friendly, multi-language interface to minimize user training time and increase productivity
- Multi-platform client support (windows, Mac OS X, Linux, Sun)
- Multi-browser support (IE, Firefox, Safari, Opera, Chrome)
- Port names automatically reconfigured when station sequence is changed
- Panel array mode enables user to monitor multiple servers from single screen at the same time - each selected server's video output appears in a separate panel - users can easily select the number of panels to view
- WinClient and JavaClient software support; JavaClient works with all operating systems

Advanced Security

- Flexible encryption design allows users to choose any combination of DES, 3DES, AES, RC4, or Random for independent KB / Mouse and video data encryption
- Supports TLS 1.2 data encryption and RSA 2048 bit certificates for secure user logins from a browser
- External (Remote) authentication support: RADIUS, LDAP, LDAPS, MS Active Directory
- Support for IP / MAC Filter
- Local and remote access logged and authenticated

Virtual Remote Desktop

- Resizable remote desktop window
- Message board allows logged in users to communicate with each other, and allows a user to take exclusive control of the KVM functions
- Mouse DynaSync™
- On-screen keyboard with multi-language supports
- BIOS-level access

Hardware

- 8-port remote access KVM switch - monitor and control up to 8 computers from a single KVM console
- Daisy chain up to 15 additional units - control up to 128 computers from a single console ¹
- Auto-sensing of station's position on daisy chained installations; no need for manual dip switch setting; front panel LED indicates station's position
- Hot pluggable - add or remove computers without having to power down the switch
- Multi-platform support - Windows, Linux, Mac, and Sun
- Front panel USB hub allows connected computers to access USB peripherals
- Dual Interface - supports PS/2 or USB keyboard and mouse computer connections with automatic interface detection
- USB / PS/2 keyboard and mouse emulation - computers boot even when the console focus is elsewhere
- Supports USB keyboards for PC, Mac and Sun
- Superior video quality - up to 2048 x 1536; DDC2B for the local console; up to 1920 x 1200 @ 60Hz ² and 1600 x 1200 @ 60Hz / 24 bit color depth for remote sessions
- Video DynaSync™ - stores the console monitor's EDID (Extended Display Identification Data) to optimize display resolution
- Rack mountable in a 1U system rack

Note:

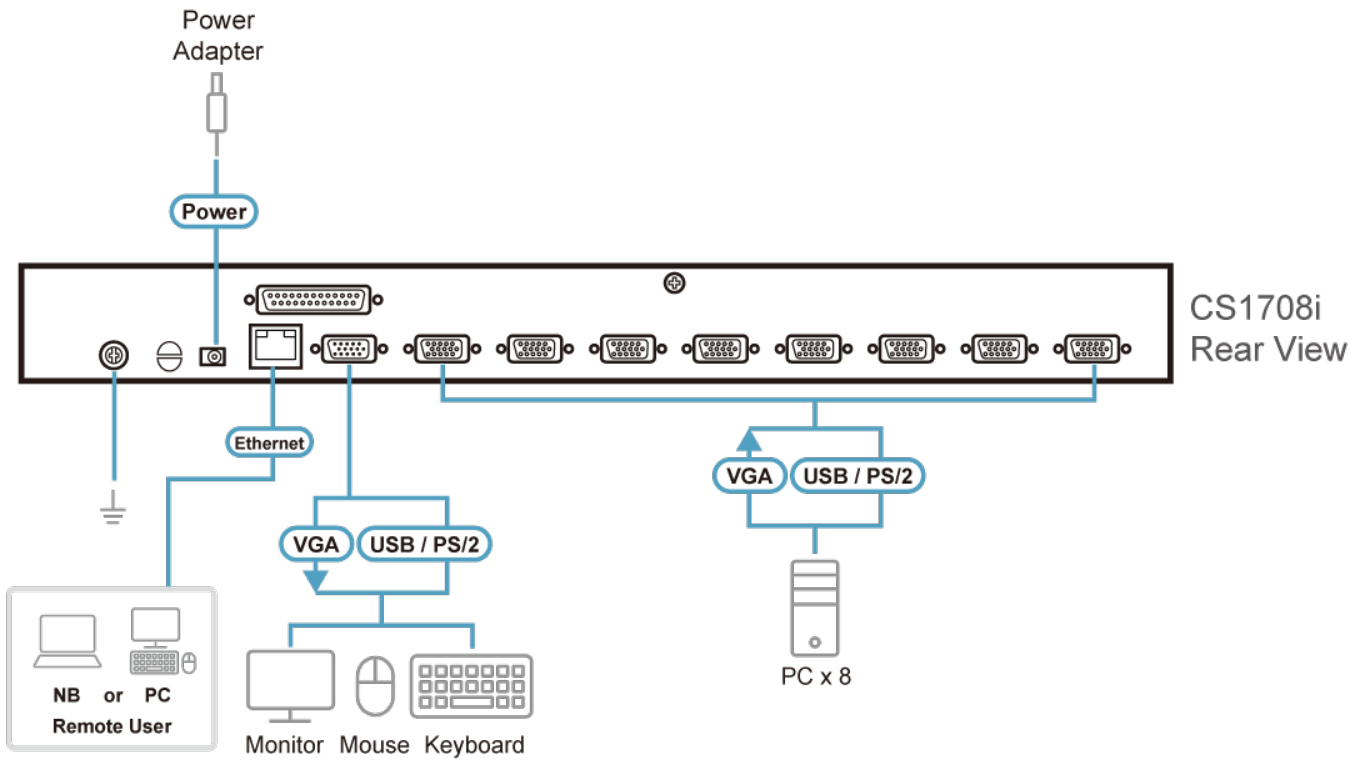
1. Compatible KVM Switches include the following: A [CS1208A](#), [CS1708A](#), [CS1716A](#), [KH1508A](#), [KH1516A](#)
2. The video quality of CS1708i has been enhanced to Full HD. To distinguish between the non-FHD and FHD versions, please refer to below link: [FHD & Non-FHD Comparison Photo](#).

Specifications

Computer Connections	
Direct	8
Maximum	128 (via daisy chain)
Port Selection	OSD/GUI; Hotkey; Pushbutton
Connectors	
Console Ports	1 x SPHD Male (Yellow)
KVM Ports	8 x SPHD Female (Yellow)
Daisy Chain Ports	1 x DB-25 Male
Power	1 x DC Jack
LAN Ports	1 x RJ-45 Female
Firmware Upgrade	1 x RJ-11
USB Port	1 x USB Type A Female
Switches	

Reset	1 x Semi-recessed Pushbutton
Port Selection	8 x Pushbutton
Firmware Upgrade Recovery	1 x Slide
LEDs	
Online	8 (Orange)
Selected	8 (Green)
Station ID	1 x 2-digit, 7-segment (Orange)
Power	1 (Dark Green)
10/100 Mbps	1 (Orange/Green - at LAN port)
Emulation	
Keyboard / Mouse	PS/2, USB
Video	
Local	2048 x 1536; DDC2B
Remote	FHD : 1920 x 1200 @ 60Hz Non-FHD : 1600 x 1200 @ 60Hz
Scan Interval	1–255 sec.
Power Consumption	DC5.3V:7.67W:55BTU/h Note: ● The measurement in Watts indicates the typical power consumption of the device with no external loading. ● The measurement in BTU/h indicates the power consumption of the device when it is fully loaded.
Environmental	
Operating Temperature	0–50°C
Storage Temperature	-20–60°C
Humidity	0–80% RH, Non-condensing
Physical Properties	
Housing	Metal
Weight	2.81 kg (6.19 lb)
Dimensions (L x W x H)	43.72 x 15.96 x 4.40 cm (17.21 x 6.28 x 1.73 in.)
Note	For some of rack mount products, please note that the standard physical dimensions of WxDxH are expressed using a LxWxH format.

Diagram



ATEN International Co., Ltd.

3F., No.125, Sec. 2, Datong Rd., Sijhih District., New Taipei City 221, Taiwan
 Phone: 886-2-8692-6789 Fax: 886-2-8692-6767
 www.aten.com E-mail: marketing@aten.com



© Copyright 2015 ATEN® International Co., Ltd.
 ATEN and the ATEN logo are trademarks of ATEN International Co., Ltd.
 All rights reserved. All other trademarks are the property of their respective owners.