

## CL5708

8-Port PS/2-USB VGA Single Rail LCD KVM Switch



The CL5708 Slideaway – LCD KVM Switch series is a control unit that allows access to multiple computers from a single PS/2 or USB KVM (keyboard, video, and mouse) console. A single CL5708 can control up to 8 or 16 computers. As many as 31 additional KVM switches can be daisy-chained to the CL5708, so that up to 256 computers can all be controlled from a single KVM console.

The CL5708 offers a space-saving, streamlined approach to KVM switch technology by integrating a keyboard, 17", 17.3" or 19" LED-backlit LCD monitor, and touchpad in a 1U rack-mountable sliding housing. The 17.3" LCD monitor offers Full HD superior video quality for enhanced visibility and clarity. To enhance security, the CL5708 offers the option to use a fingerprint identification system for controlling access to both the CL5708 itself and the servers it commands.

The CL5708 is built on a modular design. The KVM section can be detached from the switch section for convenient maintenance and repair.

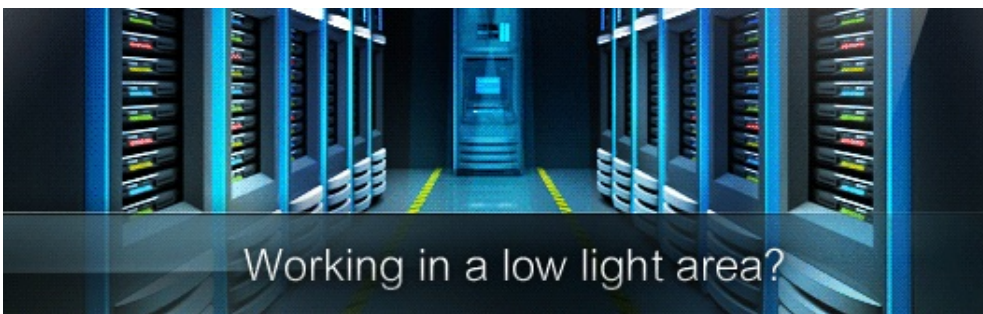
Note: Optional rack mount kits are available. For more information, refer to Compatible Accessories below.

**CL5708M: 17" LCD**

**CL5708MW: 17.3" FHD LCD**

**CL5708N: 19" LCD**

**CL5708FM: 17" LCD with fingerprint reader**



**Features**

- Exclusive LED illumination light – designed by ATEN to illuminate the keyboard and touchpad to allow visibility in lowlight conditions
- Integrated KVM console with 17", 17.3" or 19" LED-backlit LCD monitor in a Slideaway™ housing
- Available with or without fingerprint identification reader <sup>1</sup>
- Space saving technology – up to two consoles (one bus) control up to 8 or 16 computers
- Daisy-chain up to 31 additional units – controls up to 256 computers from a single console
- Dual interface – supports computers and console with PS/2 or USB keyboards and mice
- USB port allows each computer to access USB peripherals <sup>2</sup> (inapplicable to CL5708MW)
- LCD module rotates up to 120 degrees for a more comfortable viewing angle
- Multiplatform support – Windows, Linux, Mac, and Sun
- Supports multimedia USB keyboards for PC, Mac and Sun
- Auto PS/2 and USB interface detection
- Keyboard and mouse emulation (PS/2 and USB) for smooth switching and simultaneous booting of multiple computers even when the console focus is elsewhere
- Additional hot-pluggable USB mouse port on front panel (also functions as a USB peripheral port)
- Superior video quality – supports resolutions of up to 1280 x 1024 @ 75 Hz (CL5708M / CL5708FM / CL5708N) and 1920 x 1080 @ 60 Hz (CL5708MW)
- No software required – convenient computer selection via front panel pushbuttons, hotkeys and multilingual onscreen display (OSD) menus
- Auto-senses station's position on daisy-chained installations; no need for manual dip switch setting; front panel LED indicates station's position
- Port names automatically reconfigured when station sequence is changed
- Two level password security – only authorized users can view and control computers
- Supports one administrator and four user accounts with separate profiles
- Auto Scan mode enables continuous monitoring of user-selected computers
- Broadcast supports – commands from the keyboard can be broadcast to all available computers on the installation
- Hot pluggable
- Beeper on / off via hotkey and OSD
- Firmware upgrades to all the chained KVM switches at the same time via the daisy-chain cable
- Optional rack mount kits available including easy installation options
- Keyboard Language supports: English (US), English (UK), French, German, German (Swiss), Greek, Hungarian, Italian, Japanese, Korean, Russian, Spanish, Swedish and Traditional Chinese

**Note:**

1. The fingerprint reader can be used as an alternate means of logging in to the switch. From 1 to 4 fingers can be scanned for each user and the administrator, with any one of the recorded fingerprints used to log in.
2. The USB peripheral function only works with USB cable set connections. It will not work with PS/2 cable set connections (inapplicable to CL5708MW).

[More information about "Easy Rack Mounting"...](#)

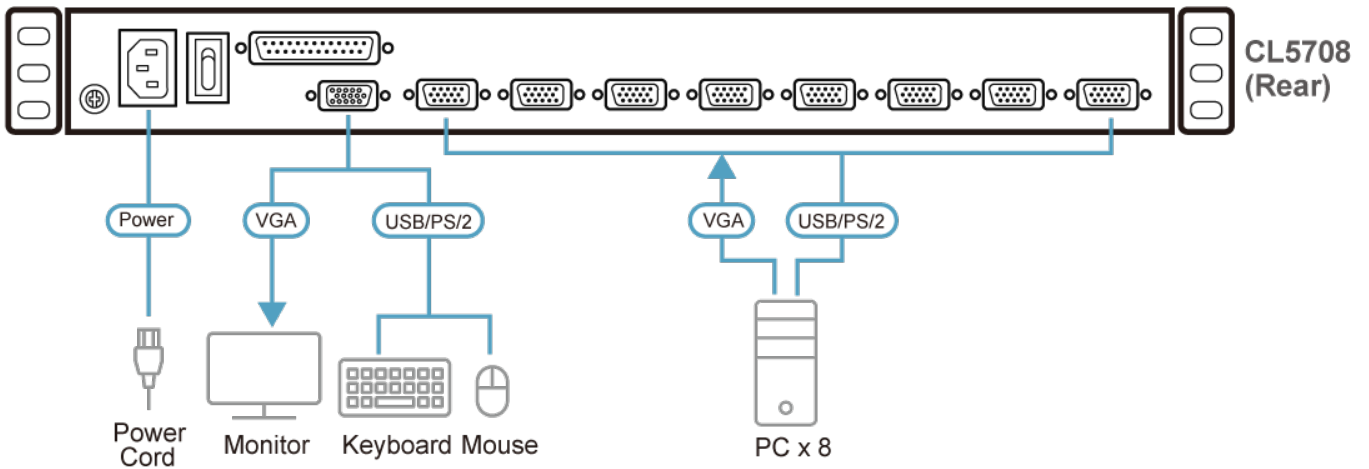
**Specifications**

Function	CL5708M	CL5708MW	CL5708N
<b>Computer Connections</b>			
Direct	8	8	8
Maximum	256 (via Daisy-chain)	256 (via Daisy-chain)	256 (via Daisy-chain)
Port Selection	OSD, Hotkey, Pushbutton	OSD, Hotkey, Pushbutton	OSD, Hotkey, Pushbutton
<b>Connectors</b>			
KVM Ports	8 x SPHD Female (Yellow)	8 x SPHD Female (Yellow)	8 x SPHD Female (Yellow)
Daisy Chain Ports	1 x DB-25 Male	1 x DB-25 Male	1 x DB-25 Male
Firmware Upgrade	1 x RJ-11 Female	1 x RJ-11 Female	1 x RJ-11 Female
Power	1 x IEC 60320/C14	1 x IEC 60320/C14	1 x IEC 60320/C14
External Console Ports	1 x SPHD Male (Yellow)	1 x SPHD Male (Yellow)	1 x SPHD Male (Yellow)
External Mouse Port	1 x USB Type A Female (Front)	1 x USB Type A Female (Front)	1 x USB Type A Female (Front)
USB Port	1 x USB Type A Female	1 x USB Type A Female	1 x USB Type A Female
<b>Switches</b>			
Port Selection	2 x Pushbutton	2 x Pushbutton	2 x Pushbutton
Station Selection	2 x Pushbutton	2 x Pushbutton	2 x Pushbutton
Reset	1 x Semi-recessed Pushbutton	1 x Semi-recessed Pushbutton	1 x Semi-recessed Pushbutton
Firmware Upgrade	1 x Slide Switch	1 x Slide Switch	1 x Slide Switch
Power	1 x Rocker Switch	1 x Rocker Switch	1 x Rocker Switch

LCD Control	4 x Pushbutton	4 x Pushbutton	4 x Pushbutton
LCD Power	1 x LED Pushbutton	1 x LED Pushbutton	1 x LED Pushbutton
LEDs			
Online	8 (Orange)	8 (Orange)	8 (Orange)
Port ID	2 x 7-segment LED Display (Orange)	2 x 7-segment LED Display (Orange)	2 x 7-segment LED Display (Orange)
Station ID	2 x 7-segment LED Display (Orange)	2 x 7-segment LED Display (Orange)	2 x 7-segment LED Display (Orange)
Power	1 (Dark Green)	1 (Dark Green)	1 (Dark Green)
Lock	1 x Num Lock (Green) 1 x Caps Lock (Green) 1 x Scroll Lock (Green)	1 x Num Lock (Green) 1 x Caps Lock (Green) 1 x Scroll Lock (Green)	1 x Num Lock (Green) 1 x Caps Lock (Green) 1 x Scroll Lock (Green)
LED Illumination Light	1 x LED Illumination Light	1 x LED Illumination Light	1 x LED Illumination Light
Panel Spec			
LCD Module	17" TFT-LCD	17" TFT-LCD	19" TFT-LCD
Resolution	1280 x 1024 @ 75 Hz	1280 x 1024 @ 75 Hz	1280 x 1024 @ 75 Hz
Response time	5 ms	5 ms	5 ms
Viewing Angle	170° (H), 160° (V)	170° (H), 160° (V)	170° (H), 160° (V)
Pixel Pitch	0.264 mm x 0.264 mm	0.264 mm x 0.264 mm	0.294 mm x 0.294 mm
Support Color	16.77M colors	16.77M colors	16.77M colors
Contrast Ratio	1000 : 1	1000 : 1	1000 : 1
Luminance	250 cd/m <sup>2</sup>	250 cd/m <sup>2</sup>	250 cd/m <sup>2</sup>
Video			
Input Video Resolution	up to 1920 x 1200 @ 60 Hz; 1280 x 1024 @ 75 Hz, DDC2B	up to 1920 x 1200 @ 60 Hz; 1280 x 1024 @ 75 Hz, DDC2B	up to 1920 x 1200 @ 60 Hz; 1280 x 1024 @ 75 Hz, DDC2B
Scan Interval	1-255 seconds	1-255 seconds	1-255 seconds
Emulation			
Keyboard / Mouse	PS/2, USB	PS/2, USB	PS/2, USB
Maximum Input Power Rating	100-240V AC, 50/60Hz, 1A	100-240V AC, 50/60Hz, 1A	100-240V AC, 50/60Hz, 1A
Power Consumption	AC110V:23.9W:125BTU/h AC220V:25.1W:130BTU/h  Note: ● The measurement in Watts indicates the typical power consumption of the device with no external loading. ● The measurement in BTU/h indicates the power consumption of the device when it is fully loaded.	AC110V:23.9W:125BTU/h AC220V:25.1W:130BTU/h  Note: ● The measurement in Watts indicates the typical power consumption of the device with no external loading. ● The measurement in BTU/h indicates the power consumption of the device when it is fully loaded.	AC110V:26.1W:135BTU/h AC220V:27.2W:140BTU/h  Note: ● The measurement in Watts indicates the typical power consumption of the device with no external loading. ● The measurement in BTU/h indicates the power consumption of the device when it is fully loaded.
Environmental			
Operating Temperature	0-40°C	0-40°C	0-50°C
Storage Temperature	-20-60°C	-20-60°C	-20-60°C
Humidity	0-85% RH, Noncondensing	0-85% RH, Noncondensing	0-85% RH, Noncondensing

Physical Properties			
Housing	Metal + Plastic	Metal + Plastic	Metal + Plastic
Rail Type	Single Rail	Single Rail	Single Rail
Weight	13.47 kg ( 29.67 lb )	13.47 kg ( 29.67 lb )	13.39 kg ( 29.49 lb )
Dimensions (L x W x H)	48.00 x 64.27 x 4.40 cm (18.9 x 25.3 x 1.73 in.)	48.00 x 64.27 x 4.40 cm (18.9 x 25.3 x 1.73 in.)	48.00 x 68.92 x 4.40 cm (18.9 x 27.13 x 1.73 in.)
Note	For some of rack mount products, please note that the standard physical dimensions of WxDxH are expressed using a LxWxH format.		

Diagram



**ATEN International Co., Ltd.**

3F., No.125, Sec. 2, Datong Rd., Sijhih District., New Taipei City 221, Taiwan  
 Phone: 886-2-8692-6789 Fax: 886-2-8692-6767  
 www.aten.com E-mail: marketing@aten.com

© Copyright 2015 ATEN® International Co., Ltd.  
 ATEN and the ATEN logo are trademarks of ATEN International Co., Ltd.  
 All rights reserved. All other trademarks are the property of their respective owners.