

VE882

HDMI Optical Extender (1080p@600m)



The VE882 is an Optical HDMI Extender that overcomes the length restriction of standard HDMI cables by using optical fiber to send high definition audio and video signals over large distances.

The VE882 accepts an audio-video stream from a local source and serializes the data to pass it over a single 3.125 Gbps optical link (for resolutions up to 1080p@60Hz at 24-bits).

The VE882 can also extend the IR remote control and transfer RS-232 (up to 115kbps) in both directions, allows you to connect serial devices such as touch screens and barcode scanners.



Features

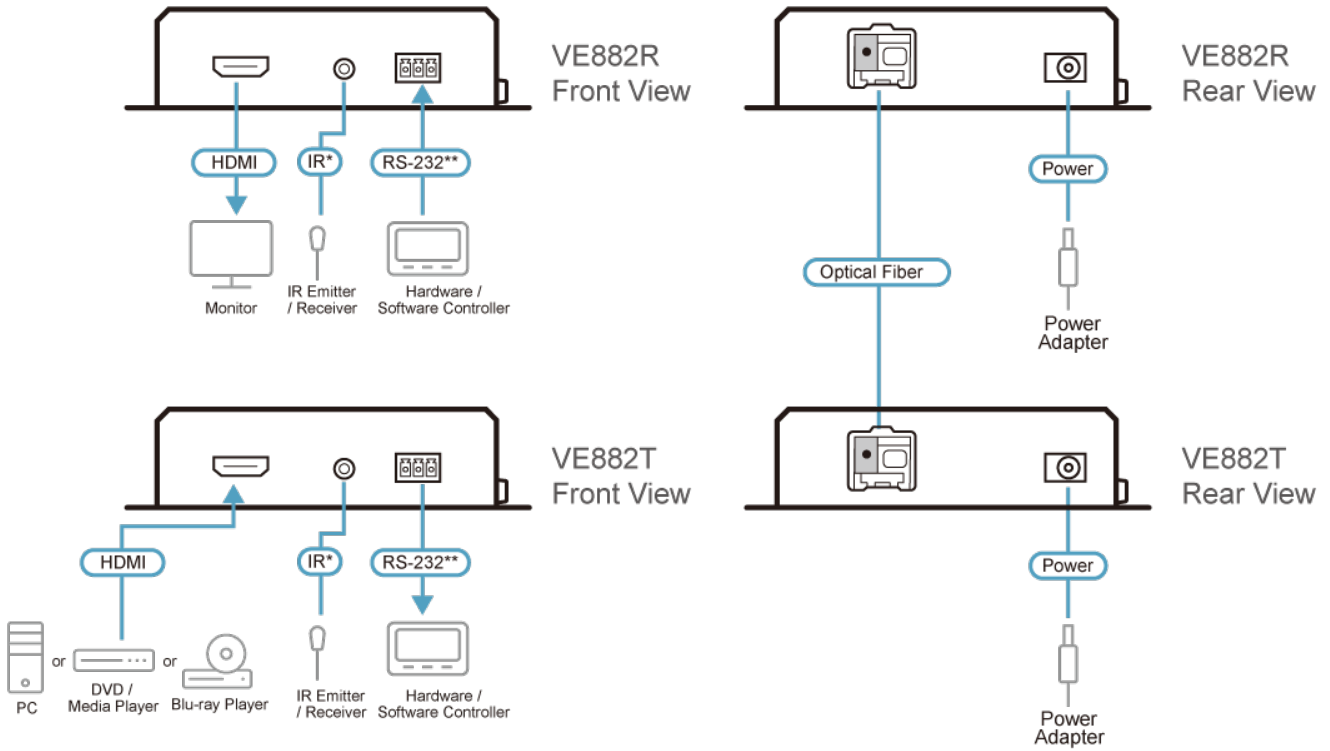
- Extends the transmission range of HDMI, IR and RS-232 signals using one fiber optic cable
- Very long distance transmission – up to 600m
- HDMI (3D, Deep Color), HDCP compatible – signaling rates up to 3.125 Gbits
- Superior video quality – up to 1080p@60Hz
- Supports full frequency IR signal from 30KHz to 60KHz
(The IR receiver cable included with the package only supports 30 KHz to 56 KHz)
- Uses one fiber optic cable to connect the local and remote units
- Supports wide screen formats
- Built-in 8KV/15KV ESD protection
- Features RS-232 serial port for connecting peripherals such as touch screens, barcode scanners, etc.
- Supports bi-directional IR signal transmission, one way at a time
- Rack-mountable
- Hot-pluggable

Specifications

| Function | VE882R | VE882T |
|---------------|--------------------------------|--------------------------------|
| Video Input | | |
| Interfaces | N/A | 1 x HDMI Type A Female (Black) |
| Impedance | N/A | 100 Ω |
| Max. Distance | N/A | 3 m |
| Video Output | | |
| Interfaces | 1 x HDMI Type A Female (Black) | N/A |
| Impedance | 100 Ω | N/A |
| Max. Distance | 3 m | N/A |
| Video | | |

| | | |
|------------------------|--|--|
| Max. Data Rate | 6.75 Gbps (2.25 Gbps Per Lane) | 6.75 Gbps (2.25 Gbps Per Lane) |
| Max. Pixel Clock | 225 MHz | 225 MHz |
| Compliance | HDMI (3D, Deep Color) HDCP 1.4 Compatible | HDMI (3D, Deep Color) HDCP 1.4 Compatible |
| Max. Resolution | Up to 1080p | Up to 1080p |
| Max. Distance | 1 x SFP Module (*Note) 600m @ Single mode (SM) fiber 300m @ OM3 Multi mode (MM) fiber | 1 x SFP Module (*Note) 600m @ Single mode (SM) fiber 300m @ OM3 Multi mode (MM) fiber |
| Audio | | |
| Input | N/A | 1 x HDMI Type A Female (Black) |
| Output | 1 x HDMI Type A Female (Black) | N/A |
| Connectors | | |
| Unit To Unit | 1 x bi-directional SFP (LC) | 1 x bi-directional SFP (LC) |
| Power | 1 x DC Jack | 1 x DC Jack |
| Control | | |
| IR Channel | 1 x Mini Stereo Jack Female (Black); 30~56 KHz full range transmission | 1 x Mini Stereo Jack Female (Black); 30~56 KHz full range transmission |
| RS-232 Channel | 1 x Terminal Block, 3 pole (Green) | 1 x Terminal Block, 3 pole (Green) |
| Power Consumption | DC5.3V:4.69W:22BTU/h Note: ● The measurement in Watts indicates the typical power consumption of the device with no external loading. ● The measurement in BTU/h indicates the power consumption of the device when it is fully loaded. | DC5.3V:5.80W:27BTU/h Note: ● The measurement in Watts indicates the typical power consumption of the device with no external loading. ● The measurement in BTU/h indicates the power consumption of the device when it is fully loaded. |
| Environmental | | |
| Operating Temperature | 0-40°C | 0-40°C |
| Storage Temperature | -20 - 60°C | -20 - 60°C |
| Humidity | 0 - 80% RH, Non-Condensing | 0 - 80% RH, Non-Condensing |
| Physical Properties | | |
| Housing | Metal | Metal |
| Weight | 0.44 kg (0.97 lb) | 0.44 kg (0.97 lb) |
| Dimensions (L x W x H) | 14.17 x 10.30 x 3.00 cm (5.58 x 4.06 x 1.18 in.) | 14.17 x 10.30 x 3.00 cm (5.58 x 4.06 x 1.18 in.) |
| Carton Lot | 5 pcs | 5 pcs |
| Note | <ol style="list-style-type: none"> Operating distance is approximate. A typical maximum distance may vary depending on factors such as fiber type, bandwidth, connector splicing, losses, modal or chromatic dispersion, environmental factors, and kinks. It is recommended that you use a Single Mode optical fiber cable that conforms to IEC 60793- 2-50 B1.1 or ITU-T G.652.B specifications. The VE882 supports OM3 optical fiber which can extend the transmission distance up to 300 meters | <ol style="list-style-type: none"> Operating distance is approximate. A typical maximum distance may vary depending on factors such as fiber type, bandwidth, connector splicing, losses, modal or chromatic dispersion, environmental factors, and kinks. It is recommended that you use a Single Mode optical fiber cable that conforms to IEC 60793- 2-50 B1.1 or ITU-T G.652.B specifications. The VE882 supports OM3 optical fiber which can extend the transmission distance up to 300 meters |
| Note | For some of rack mount products, please note that the standard physical dimensions of WxDxH are expressed using a LxWxH format. | |

Diagram



* The IR bypass channel is bi-directional. The IR transmitter and IR receiver can be plugged either into the VE882T or VE882R unit depending on the device you want to control remotely.
 ** The unit supports bi-directional RS-232 bypass transmission. To remotely control a PC through serial controller, connect the RS-232 port of the receiver to a serial controller, and then connect the RS-232 port of the transmitter to a PC, and vice versa.

ATEN International Co., Ltd.

3F., No.125, Sec. 2, Datong Rd., Sijhih District., New Taipei City 221, Taiwan
 Phone: 886-2-8692-6789 Fax: 886-2-8692-6767
 www.aten.com E-mail: marketing@aten.com



© Copyright 2015 ATEN® International Co., Ltd.
 ATEN and the ATEN logo are trademarks of ATEN International Co., Ltd.
 All rights reserved. All other trademarks are the property of their respective owners.