

CL3716

16-Port USB HDMI Single Rail WideScreen LCD KVM Switch



The ATEN CL3716NX is a space-efficient 1U single-rail LCD KVM switch designed for environments where space is limited, such as control rooms across various industries. Integrating an 18.5" LED-backlit widescreen monitor, full keyboard, and touchpad into a short-depth sliding housing, it provides reliable local access while maximizing valuable rack space.

Maximize Rack Space While Maintaining Clear Visibility

The CL3716NX features a compact 1U single-rail chassis designed for shallow racks or other space-constrained environments. Its all-in-one design eliminates the need for external peripherals, and an integrated LED illumination light ensures clear visibility, supporting accurate operation even in dimly lit settings and around-the-clock use.

Centralized and Flexible Multi-System Control

Supporting direct USB and HDMI connections to 16 computers, the CL3716NX can be cascaded up to two levels, enabling control of up to 256 computers. An external console output via USB and HDMI allows connection to a larger, higher-resolution monitor or a KVM extender¹ for remote console access, providing operational flexibility and efficiency.

Reliable Video Performance for Precise Monitoring

Engineered for dependable operation, the CL3716NX delivers crisp video resolutions up to 1366 x 768 @ 60 Hz. Broadcast Mode enables commands to be sent to multiple computers simultaneously, while Auto Scan Mode provides continuous monitoring of selected systems, ensuring operators can monitor multiple systems efficiently and confidently.

Secure and Convenient System Management

Users can manage connected devices via front-panel pushbuttons, hotkeys, or a multilingual on-screen display (OSD). Two-level password protection safeguards against unauthorized access, and a dedicated, hot-pluggable USB mouse port (HID-only) on the front panel allows quick peripheral swaps, reducing downtime and improving convenience.

Note:

1. Please refer to the Compatible Products section below.
2. Optional rack mount kits are available. For more information, refer to Compatible Accessories below.

For possible keyboard languages for the EU regions, please follow [this link](#)



18.5"
Widescreen



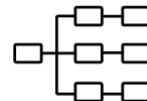
External
Console



LED Illumination
Light



Short-Depth
Design



Expandable via
Cascade

Features

• **Space Utility Optimization**

- Exclusive LED illumination light – designed by ATEN to illuminate the keyboard and touchpad to enhance usability in dimly lit settings
- Integrated LCD KVM console with an 18.5" LED-backlit widescreen LCD monitor in a single rail housing with top and bottom clearance for smooth operation in a 1U high system rack
- Short-depth design allows users to work with your rack-mounting equipment in narrow spaces
- Console lock – enables the console drawer to remain securely locked away in position when not in use

• **Reliability and Operational Versatility**

- Superior video quality – up to 1366 x 768 @ 60 Hz
- Cascade up to 2 levels – CL3716NX controls up to 256 computers from a single console (With compatible KVM Switches ¹)
- External console port – connect with a larger, higher-resolution monitor or pair with a KVM extender ¹ to extend the console to a remote location for increased operational efficiency
- Computer selection via pushbuttons, hotkeys, and multilingual on-screen display (OSD)
- Broadcast mode – allows users to send commands from the console to all computers to perform operations simultaneously
- Two level password security – only authorized users can view and control computers
- Auto Scan mode – enables continuous monitoring of user-selected computers
- Available keyboard layouts: English (US), English (UK), German, German (Swiss), French, Italian, Spanish, Nordic
- Additional hot-pluggable USB mouse port on front panel that supports HID device for keyboard and mouse

• **Installation Flexibility**

- Standard rack mount kit included
- Optional rack mount kits available including easy installation options²
- No software required
- Firmware upgradable
- Supports hot-plugging

Note:

1. Please refer to the Compatible Products section below.
2. Contact your ATEN dealer for product information.

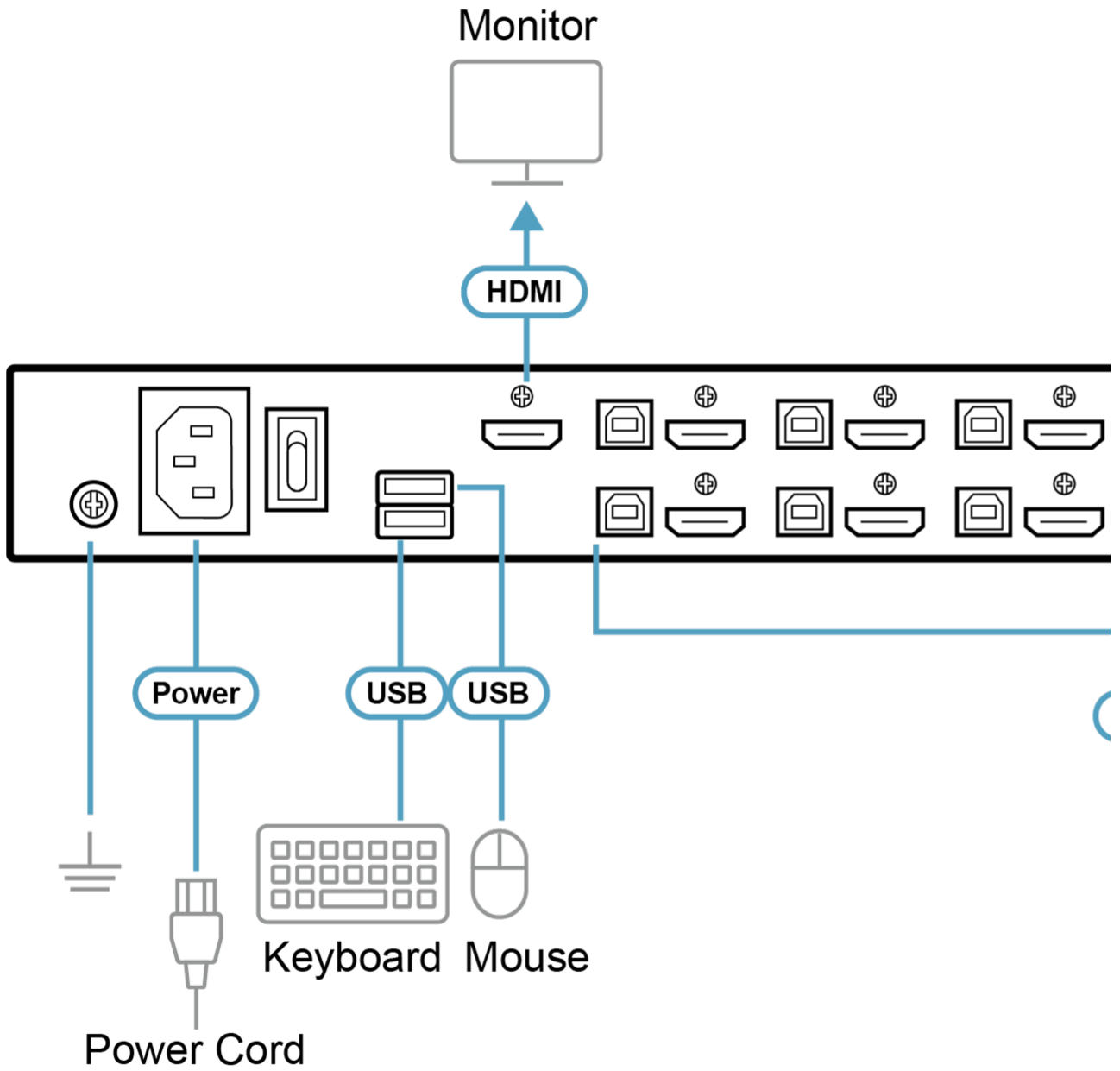
[More information about "Easy Rack Mounting"...](#)

Specification

Function	CL3716NX
Computer Connections	
Direct	16
Maximum	256 (via Cascade)
Port Selection	OSD, Hotkey, Pushbutton
Connectors	
KVM Ports	16 x HDMI Female 16 x USB Type B Female
Firmware Upgrade	1 x 3.5mm Audio Jack Female (Black)
Power	1 x IEC 60320/C14
External Mouse Port	1 x USB Type A Female (Front)
External Console Ports	1 x HDMI Female 2 x USB Type A Female
Switches	
Port Selection	16 x Pushbutton
Reset	1 x Semi-recessed Pushbutton
Firmware Upgrade	1 x Slide Switch
Power	1 x Rocker Switch
LCD Control	4 x Pushbutton
LCD Power	1 x LED Pushbutton
LEDs	
Online	16 (Orange)
Selected	16 (Green)
Power	1 x KVM Console (Dark Green) 1 x LCD (Orange)
Lock	1 x Num Lock (Green) 1 x Caps Lock (Green) 1 x Scroll Lock (Green)
LED Illumination Light	1 x LED Illumination Light
Panel Spec	
LCD Module	18.5" TFT-LCD
Resolution	1366 x 768 @ 60 Hz
Response time	5 ms
Viewing Angle	170° (H), 160° (V)

Pixel Pitch	0.3 mm x 0.3 mm
Support Color	16.77M colors
Contrast Ratio	1000 : 1
Luminance	450 cd/m ²
Video	
Input Video Resolution	up to 1920 x 1200 @ 60 Hz; 1366 x 768 @ 60 Hz,
Second console	1920 x 1200 @ 60 Hz
Scan Interval	1-255 seconds
Emulation	
Keyboard / Mouse	USB
Maximum Input Power Rating	100-240 VAC, 50/60 Hz, 1 A
Power Consumption	AC110V:29.7W:146BTU/h AC220V:30.1W:148BTU/h Note: <ul style="list-style-type: none"> ● The measurement in Watts indicates the typical power consumption of the device with no external loading. ● The measurement in BTU/h indicates the power consumption of the device when it is fully loaded.
Environmental	
Operating Temperature	0-40°C
Storage Temperature	-20-60°C
Humidity	0 - 80% RH, Non-condensing
Physical Properties	
Housing	Metal + Plastic
Rail Type	Single Rail
Weight	10.59 kg (23.33 lb)
Dimensions (L x W x H)	48.06 x 63.10 x 4.28 cm (18.92 x 24.84 x 1.69 in.)
Body Dimensions(L x W x H)	44.92 x 58.4 x 4.28 cm (17.69 x 22.99 x 1.69 in.)
Note	Body Dimensions exclude I/O ports, handles, and mounting brackets.
Note	For some of rack mount products, please note that the standard physical dimensions of WxDxH are expressed using a LxWxH format.

Diagram





Simply Better Connections

ATEN International Co., Ltd.

3F., No.125, Sec. 2, Datong Rd., Sijhih District., New Taipei City 221, Taiwan
Phone: 886-2-8692-6789 Fax: 886-2-8692-6767
www.aten.com E-mail: marketing@aten.com



© Copyright 2015 ATEN® International Co., Ltd.
ATEN and the ATEN logo are trademarks of ATEN International Co., Ltd.
All rights reserved. All other trademarks are the property of their
respective owners.