

## CS1798

8-Port USB HDMI/Audio KVM Switch



The CS1798 8-port USB HDMI KVM Switch is a multi-purpose appliance that consolidates access and control of up to 8 HDMI computers from a single USB keyboard, USB mouse, and monitor console. The CS1798 can be cascaded up to three levels – to control up to 512 computers – all from a single console.

In addition, the CS1798 features multi-display functionality, which enables the use of standard USB cables to stack up to 8 switches in a multi-display installation where each computer is fitted with multiple video cards. It allows users to contrast, analyze and monitor video output in convenient ways, substantially simplifying the working environment.

The CS1798 supporting ATEN's on-screen display (OSD) function, allowing it to access any computer connected to the installation, which offers OSD configuration backup / restore functions to save or back up the OSD settings and restore them as needed. The CS1798 provides multimedia keyboard support and is audio enabled. Users can listen to the audio output of each computer on two sets of speakers (on a one at-a-time basis).



### Features

- One USB console controls up to eight HDMI interface computers and two additional USB 2.0 devices
- HDMI compatible
- Cascadable to three levels—control up to 512 computers <sup>1</sup>
- Multi-Display feature – stack up to eight CS1798 units and display video from up to eight monitors(dual display/triple display/quad display/multi-display)
- 2-port USB 2.0 hub built in <sup>2</sup>
- Computer selection via front panel pushbuttons, hotkeys, and multilingual on-screen display (OSD)
- Independent switching of KVM and USB focus
- OSD Backup/Restore feature—enables the administrator to back up the switch's configuration and user profile information
- Firmware upgradable
- Video DynaSync™ – exclusive ATEN technology eliminates boot-up display problems and optimizes resolution when switching between ports
- Superior video quality—supports up to 1080p / 1920 x 1200@60Hz
- Supports widescreen resolutions<sup>3</sup>
- Audio enabled—full bass response provides a rich experience for 2.1 channel surround sound systems
- Console audio ports on front panel for easy access
- Auto Scan Mode for monitoring all computers
- HDCP compatible
- Multiplatform support—Windows, Linux, Mac, Sun <sup>4</sup>
- Console mouse port emulation/bypass feature supports most mouse drivers and multifunction mice
- Complete keyboard emulation for error-free booting
- Mac/Sun keyboard support and emulation<sup>5</sup>
- Multilingual OSD supports English, German, Japanese, Traditional Chinese, Simplified Chinese, Spanish, Russian, and French
- Multilingual keyboard mapping – supports English (US), English (UK), German (GER.), German (SWISS), French, Hungarian, Italian, Japanese, Korean, Russian, Spanish, Swedish, Traditional Chinese, and Simplified Chinese
- Supports hot-plugging

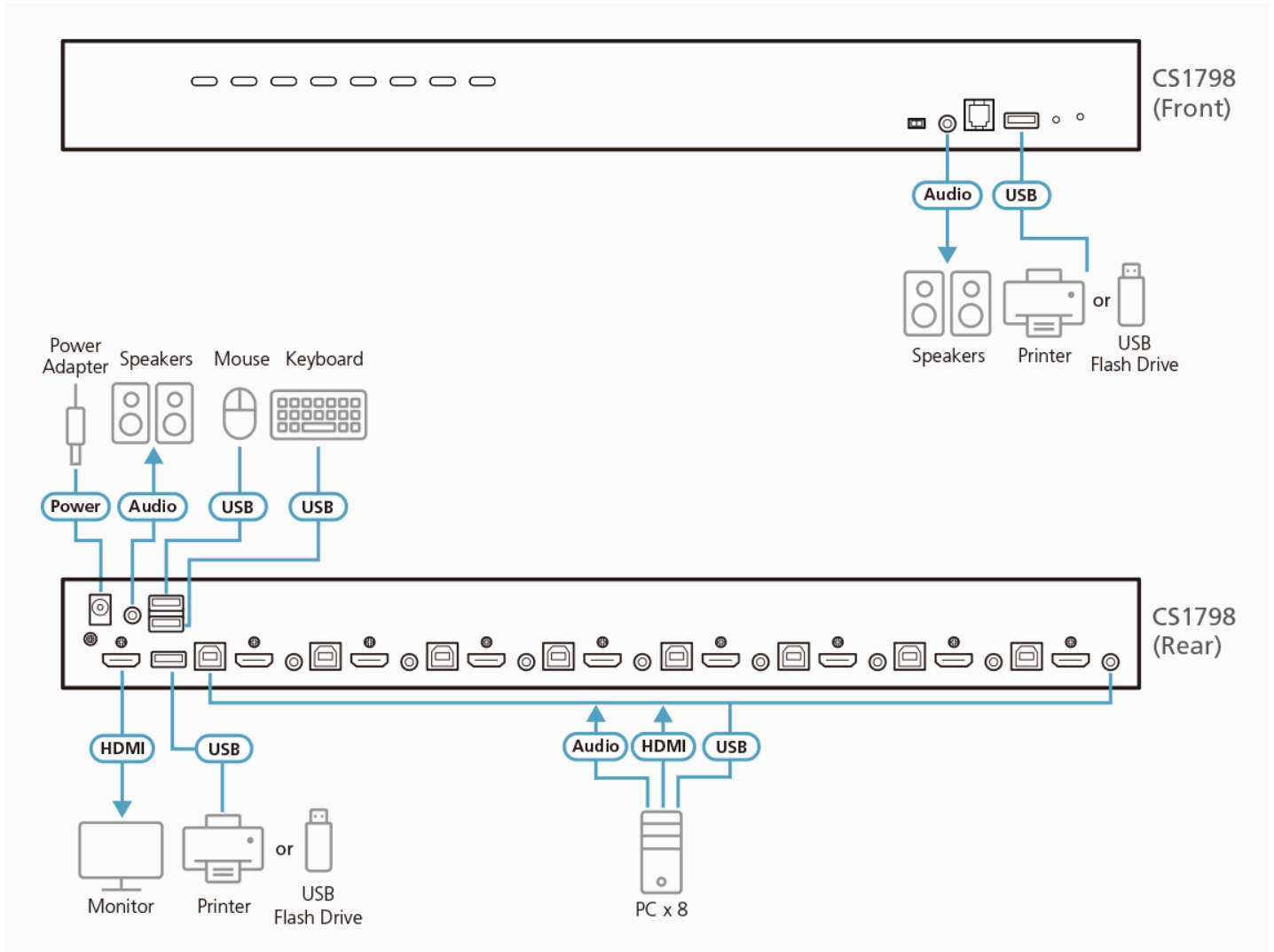
#### Note:

1. CS1798 cascade to CS1798 only.
2. The USB 2.0 hub cannot be accessed through the switch by computers on the second or third level of a cascaded installation.
3. CS1798 supports the resolution up to 1920 x 1080 @ 60 Hz. The resolution of the connected source should be 1920 x 1080 @ 60 Hz or lower in order to avoid compatibility issues.
4. For PC compatible computers. Mac and Sun computers must be compatible with USB connections.
5. PC keyboard combinations emulate Mac / Sun keyboards; Mac / Sun keyboards work only with their own computers.

**Specification**

Computer Connections	
Direct	8
Maximum	512 (via Cascade)
Port Selection	OSD, Hotkey, Pushbutton
Connectors	
Console Ports	1 x HDMI Female 2 x USB Type A Female 2 x 3.5mm Audio Jack Female (Green; 1 x front panel, 1 x rear panel)
KVM Ports	8 x HDMI Female 8 x USB Type B Female 8 x 3.5mm Audio Jack Female (Green)
Firmware Upgrade	1 x RJ11 Female (Black)
Power	1 x DC Jack
USB Hub	2 x USB Type A Female (1 x front panel, 1 x rear panel)
Switches	
Port Selection	8 x Pushbutton
Reset	1 x Semi-recessed Pushbutton
Firmware Upgrade	1 x Slide Switch
LEDs	
USB Link	8 (Green)
Power	1 (Dark Green)
On Line /Selected	8 (Orange)
Emulation	
Keyboard / Mouse	USB
Video	1920 x 1080 @ 60Hz; 1920 x 1200 @ 60Hz
Scan Interval	1 – 255 seconds (default: 5 secs.)
Power Consumption	DC5V:5.8W:53BTU/h  Note: ● The measurement in Watts indicates the typical power consumption of the device with no external loading. ● The measurement in BTU/h indicates the power consumption of the device when it is fully loaded.
Environmental	
Operating Temperature	0 – 50°C
Storage Temperature	-20 – 60°C
Humidity	0 – 80% RH, Non-condensing
Physical Properties	
Housing	Metal
Weight	3.49 kg ( 7.69 lb )
Dimensions (L x W x H)	43.24 x 25.72 x 4.40 cm (17.02 x 10.13 x 1.73 in.)
Note	For some of rack mount products, please note that the standard physical dimensions of WxDxH are expressed using a LxWxH format.

Diagram



**ATEN International Co., Ltd.**

3F., No.125, Sec. 2, Datong Rd., Sijhih District., New Taipei City 221, Taiwan  
 Phone: 886-2-8692-6789 Fax: 886-2-8692-6767  
 www.aten.com E-mail: marketing@aten.com



© Copyright 2015 ATEN® International Co., Ltd.  
 ATEN and the ATEN logo are trademarks of ATEN International Co., Ltd.  
 All rights reserved. All other trademarks are the property of their respective owners.