

VE66DTH

6 x 6 Dante Audio Interface with HDMI



ATEN VE66DTH is a Dante-enabled six-input/six-output Audio Interface with HDMI. Using Dante™ – the most popular audio networking solution created by Audinate, the VE66DTH is capable of delivering uncompressed, close-to-zero latency digital audio signals across your standard IP network. The VE66DTH transmits and receives up to 6-channel of audio inputs and outputs via a Dante network – the audio inputs can support not only the line input but also the dynamic and condenser microphones at the same time. Additionally, the device can also provide condenser microphones with 48V Phantom power supply. With its built-in PoE (Power over Ethernet), the VE66DTH can be powered by a compatible PSE device through Ethernet cable. Moreover, the VE66DTH provides flexible audio capability with audio de-embedding and embedding. It can de-embed HDMI stereo audio signals to the Dante networking system and embed Dante audio signals into the HDMI output.

The VE66DTH is tailor-made to a wide range of environments, such as conference centers, concert halls, entertainment facilities or wherever that requires implantation of Dante-based professional audio devices for extended and flexible networked AV applications. Users of the VE66DTH can benefit from improved system performance, reduction in cabling and more to installations of all sizes.

[* Download Dante Controller](#)



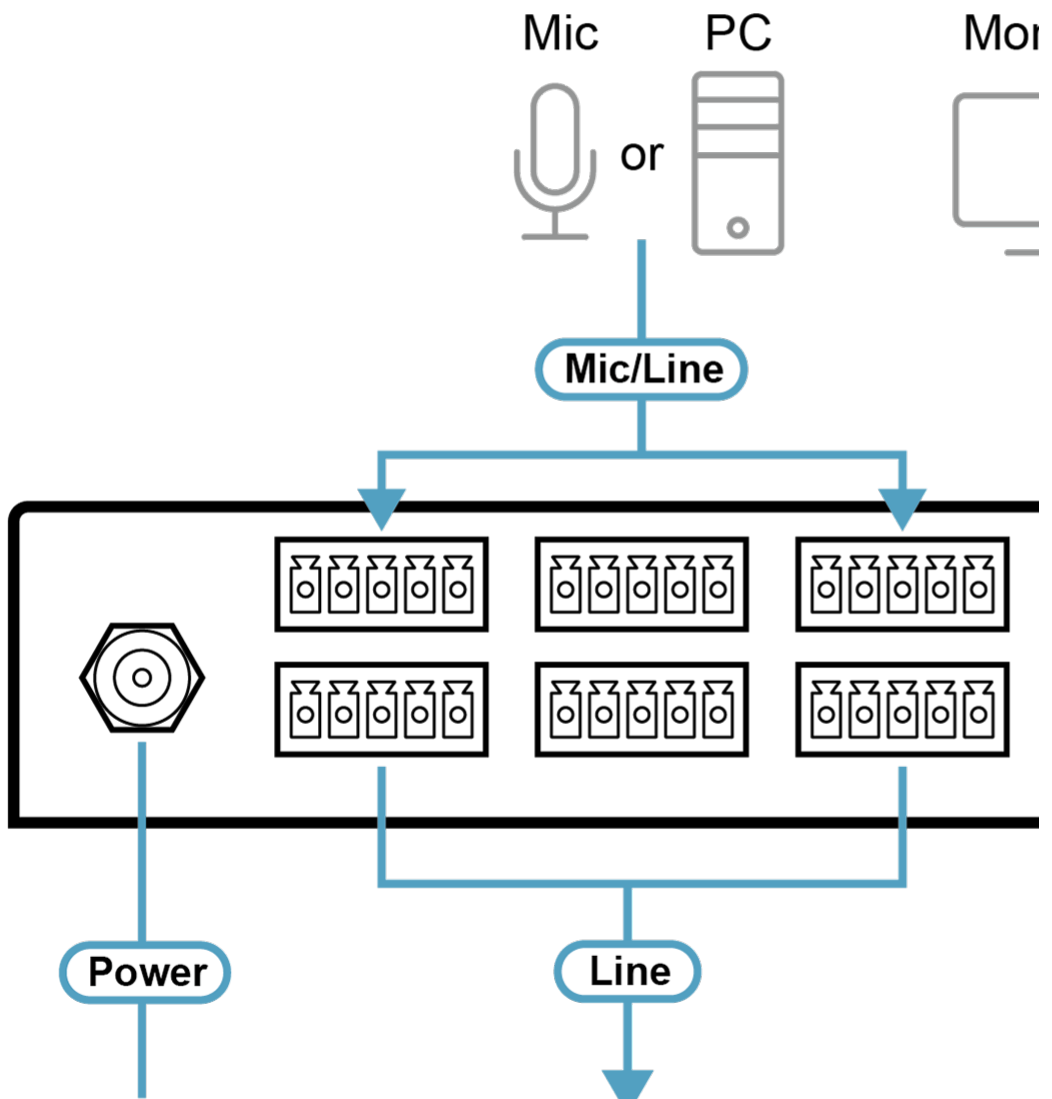
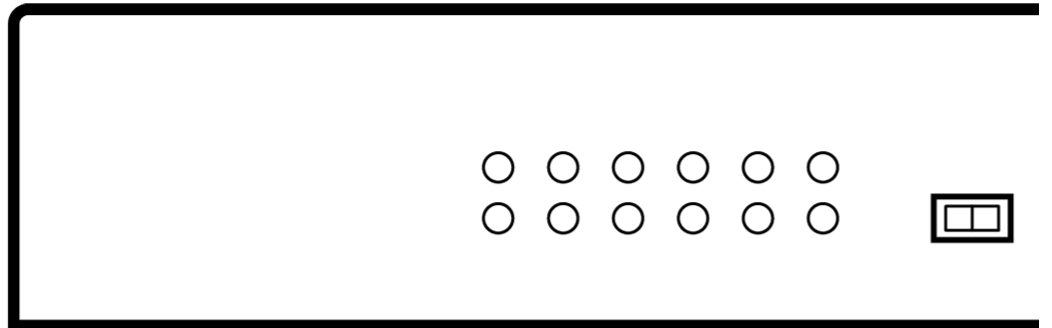
Features

- Features Dante™ networked audio interface – a complete audio networking solution that distributes uncompressed, multi-channel audio transmission via standard Ethernet networks, with near-zero latency and perfect synchronization
- Integrates up to 6-channel balanced mono audio Line/Mic input signals onto a Dante-enabled audio system and supports both dynamic and condenser microphones
- Provides 48V Phantom power supply to condenser microphones
- AES67 support
- Easy to use and set up – User can use “Dante Controller” for the simple setup
- Delivers up to 6-channel balanced mono audio Line outputs from the Dante network to the audio system
- Supports HDMI input with HDCP 2.2 compliant – the HDMI input can de-embed HDMI stereo audio to the Dante network
- Supports HDMI local output – the VE66DTH can embed the Dante audio into HDMI output
- Supports PoE – power can be supplied by a compatible PSE device through Ethernet cable

Specification

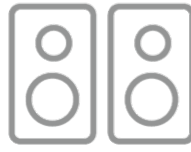
Audio Inputs	
Interfaces	Line/Mic Input: 3 x 3.5 mm captive screw connector, 5 pole; Analog mono, balanced Impedance: >6.8k ohms unbalanced; >13.6k ohms balanced Maximum level: 0dBV (1Vrms) Mic Pre-amp: +40 dB, balanced Phantom Power: +48V,10mA HDMI Input: HDMI Stereo Audio
Audio Outputs	
Interfaces	Line Output: 3 x 3.5 mm captive screw connector, 5 pole; Analog mono, balanced Impedance: 50 ohms unbalanced, 100 ohms balanced Maximum level: 0dBV (1Vrms) HDMI Output: HDMI Stereo Audio
Audio	
Format	Uncompressed, 24-bit, selectable at 44.1, 48, 88.2, or 96 kHz Latency: Deterministic, based on user selection: 1.0 ms (default) Frequency response: 20Hz~20KHz, +/- 0.3dB THD + Noise: < -65dB (0.1%) (1KHz,1Vrms @ 0dBV) S/N: > 80dB (1KHz,1Vrms @ 0dBV) Cross Talk: < -50dB (15KHz,1Vrms @ 0dBV)
Input	8 audio channels (6 x Analog Input & 1 x HDMI Stereo Audio)
Output	8 audio channels (6 x Analog output & 1 x HDMI Stereo Audio Embedded from HDMI/Dante)
Video Input	
Interfaces	1 x HDMI Type A female (Black)
Impedance	100 Ω
Max. Distance	1.8m
Video Output	
Interfaces	1 x HDMI Type A female (Black)
Impedance	100 Ω
Video	
Max. Resolution	Up to 4096 x 2160 / 3840 x 2160 @ 60Hz (4:4:4)
Compliance	HDMI (3D, Deep Color, 4K); 4K HDR HDCP 2.2 Compatible;
Control	
Ethernet	1 x RJ-45 Female (Silver) through Dante
Switches	
Video Output Port Selection	1 x Slide Switch - HDMI Output Audio Selection (From HDMI in / Dante / Off)
Selection	6 x Slide Switch - Mic Input Pre-Amp ON/OFF
Phantom power	6 x Slide Switch - Mic Input Phantom Power ON/OFF
Reset	1 x push button
Connectors	
Power	1 x DC Jack (Black) or 1 x RJ-45 Female (Silver) POE
Unit To Unit	1 x RJ-45 Female through Dante
Power Consumption	DC5V:8.9W:41BTU/h POE:11.1W:52BTU/h Note: ● The measurement in Watts indicates the typical power consumption of the device with no external loading. ● The measurement in BTU/h indicates the power consumption of the device when it is fully loaded.
Environmental	
Operating Temperature	0-40°C
Storage Temperature	-20 - 60°C
Humidity	0 - 80% RH, Non-Condensing
Physical Properties	
Housing	Metal
Weight	0.85 kg (1.87 lb)
Dimensions (L x W x H)	17.42 x 15.49 x 2.88 cm (6.86 x 6.1 x 1.13 in.)
Note	For some of rack mount products, please note that the standard physical dimensions of WxDxH are expressed using a LxWxH format.

Diagram



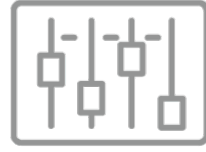


Power Adapter



Speakers

or



Audio Mixer

or



Amplifier
