

VP1920

9 x 2 4K Presentation Matrix Switch



The ATEN VP1920 is a 3-in-1 presentation switch that integrates a video matrix switch, an audio processor, and analog-to-digital converter functions. With nine multi-format inputs to two HDMI 4K outputs, it is designed to boost the efficiency and impact of professional presentations.

With streamlined control from front panel pushbuttons, IR remote controller, OSD, and RS-232, the VP1920 reduces not only system device count, but also lower operation complexity. It is suitable for all small-to-medium sized corporate and education presentation environments, such as meeting rooms, classrooms, training rooms, or any other presentation setting, such as in exhibition centers or hotels.



Features

• Multi-format AV Switching with Simplicity

- Supports multi-format 9 Inputs and 2 HDMI outputs:
 - 3 combo inputs (HDMI/VGA, HDMI/DisplayPort, HDMI/AV/YPbPr)
 - 3 HDMI inputs
 - 2 HDMI outputs
- VGA port supports universal analog input formats (RGBHV/RGBs/YCbCr/YPbPr)
- Embed/De-embed Audio-HDMI/DisplayPort audio signals can be extracted to digital/analog audio signals; stereo / composite/component audio can be embedded to digital audio signals

• High-definition Video with Optimum Output

- Superior video quality up to 4096 x 2160@60Hz (4:2:0) / 4096 x 2160@30Hz (4:4:4) (HDMI/DP)
- EDID Expert™ - automatically selects the optimum EDID settings for smooth power-up, high-quality display, and the best video resolution across connected devices
- HDMI (3D, Deep Color, 4K); HDCP 1.4 compliant

• Versatile, Streamlined Operation

- Multiple control methods via front-panel pushbuttons, RS-232, OSD, and IR remote
- Source preview - quickly identifies and switches to the target content
- Selectable display modes (Matrix, Mirror, or PiP) for different presentation demands
- Auto switching - automatically detects and switches to a new source as soon as it is connected for time-saving and convenience
- Supports stand-by mode for power saving and fast waking up

• Extended Flexibility for USB Peripherals

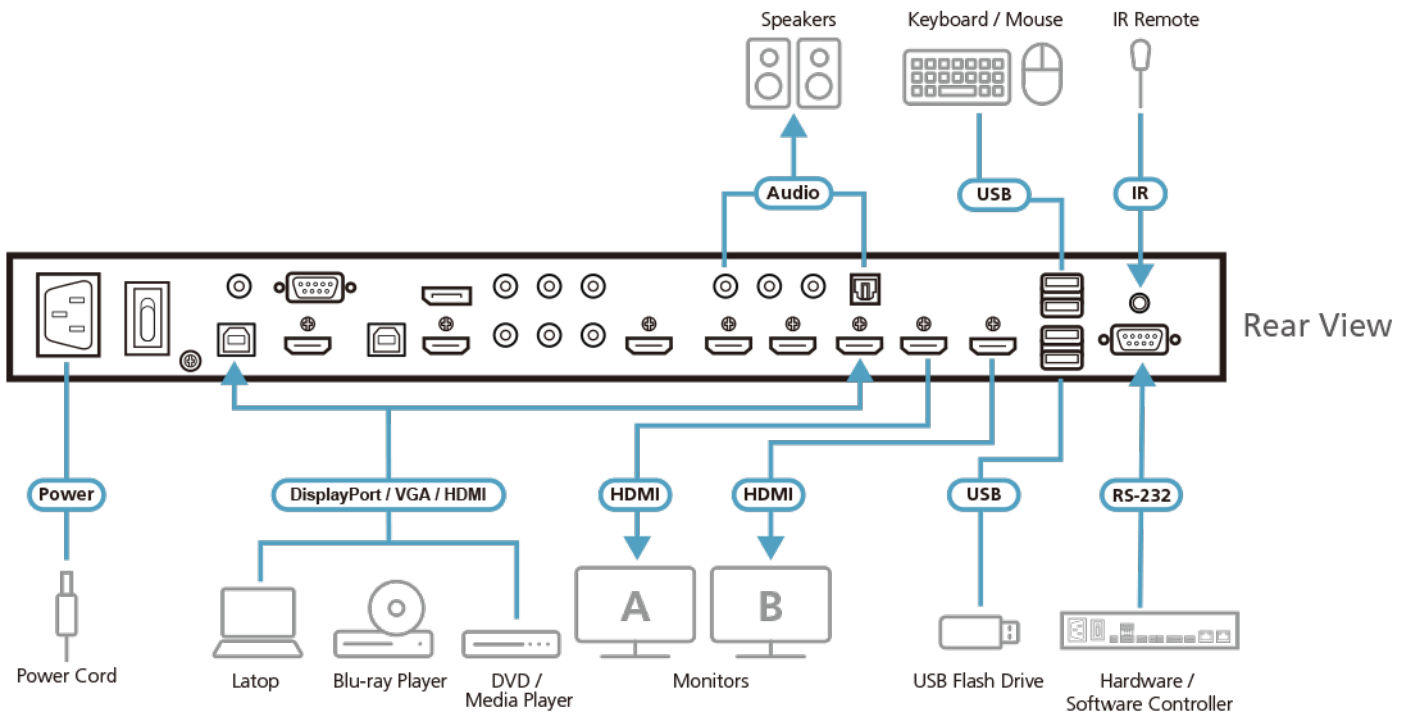
- USB ports enable keyboard/mouse or touch panel control over the connected computers
- Control focus for keyboard/mouse and USB peripherals can be individually switched to a designated computer source

Specification

Video Input	
Interfaces	6 x HDMI Type A female (Black) 1 x DP Female (Black) 1 x HDB-15 Female (Blue) 1 x Component (3x RCA female, Blue/Green/Red) 1 x Composite (1x RCA female, Yellow)
Video Output	
Interfaces	2 x HDMI Type A female (Black)
Max. Distance	Up to 15m
Video	
Max. Resolution	HDMI: Up to 4096 x 2160 / 3840 x 2160 @ 60Hz (4:2:0); 4096 x 2160 / 3840 x 2160 @ 30Hz (4:4:4) DP: Up to 4096 x 2160 / 3840 x 2160 @ 30Hz (4:4:4) VGA/Analog: Up to 1920x1200@60Hz
Compliance	HDMI (3D, Deep Color, 4K) HDMI/DP: HDCP 1.4 Compatible; Consumer Electronics Control (CEC)
Audio	
Input	Stereo Audio: 1 x mini stereo Jack female (Green) Composite/Component Audio: 2 x RCA female (Red/White)
Output	Optical Audio: 1 x Toslink (Black) Coaxial Audio: 1 x RCA female (Orange) Stereo Audio: 2 x RCA female (White / Red)
Connectors	
Computers	2 x USB Type B Female (White)
Console Ports	Keyboard/Mouse: 2 x USB Type A Female (White) Device: 2 x USB Type A Female (White)

Power	1 x 3-prong AC Socket
Control	
RS-232	1 x DB 9 female (Black)
IR	1 x Mini Stereo Jack Female (Black)
Switches	
Power	1 x Pushbutton 1 x Rocker
Video Input Port Selection	6 x Pushbutton
Video Output Port Selection	2 x Pushbutton
Selection	Mode: 1 x Pushbutton Menu: 1 x Pushbutton Up (Unlock): 1 x Pushbutton Esc: 1 x Pushbutton Audio: 1 x Pushbutton Preview: 1 x Pushbutton Down: 1 x Pushbutton Enter: 1 x Pushbutton
LEDs	
Video	Source 1: HDMI/VGA: 2(Green) Source 2: HDMI/DP: 2(Green) Source 3: HDMI/AV/YPbPr: 2(Green)
USB Link	Keyboard/Mouse: 2 (Amber) Device: 2 (Amber)
EDID Settings	EDID Mode: Default / Port 1 / Remix
Power	
Maximum Input Power Rating	100-240 VAC; 50-60Hz; 1.0A
Power Consumption	AC110V:7.3W:60BTU AC220V:7.3W:60BTU
Environmental	
Operating Temperature	0-40°C
Storage Temperature	-20 - 60°C
Humidity	0 - 80% RH, Non-Condensing
Physical Properties	
Housing	Metal
Weight	2.36 kg (5.2 lb)
Dimensions (L x W x H)	43.72 x 16.36 x 4.40 cm (17.21 x 6.44 x 1.73 in.)
Carton Lot	1 pc
Note	For some of rack mount products, please note that the standard physical dimensions of WxDxH are expressed using a LxWxH format.

Diagram



ATEN International Co., Ltd.

3F, No.125, Sec. 2, Datong Rd., Sijhih District., New Taipei City 221, Taiwan
 Phone: 886-2-8692-6789 Fax: 886-2-8692-6767
 www.aten.com E-mail: marketing@aten.com



© Copyright 2015 ATEN® International Co., Ltd.
 ATEN and the ATEN logo are trademarks of ATEN International Co., Ltd.
 All rights reserved. All other trademarks are the property of their respective owners.