

## VE802

HDMI HDBaseT-Lite Extender with PoH (4K@40m)  
(HDBaseT Class B)



The VE802 HDMI HDBaseT-Lite Extender extends an HDBaseT signal up to 70m from the HDBaseT source using one Cat 5e/6/6a cable. VE802 supports RS-232 and IR signaling passthrough, allowing you to control the HDMI source device from the remote unit (VE802R) while also granting access to the HDMI display device from the local unit (VE802T). IR signals can also be extended in both directions. The VE802 features Power over HDBaseT (PoH) which can send power over Cat 5e/6/6a cable without an additional power supply. The VE802 is HDMI (3D, Deep Color, 4k) and HDCP compatible. The VE802 is perfect for a digital entertainment center or any installation that requires superior video quality.



### Features

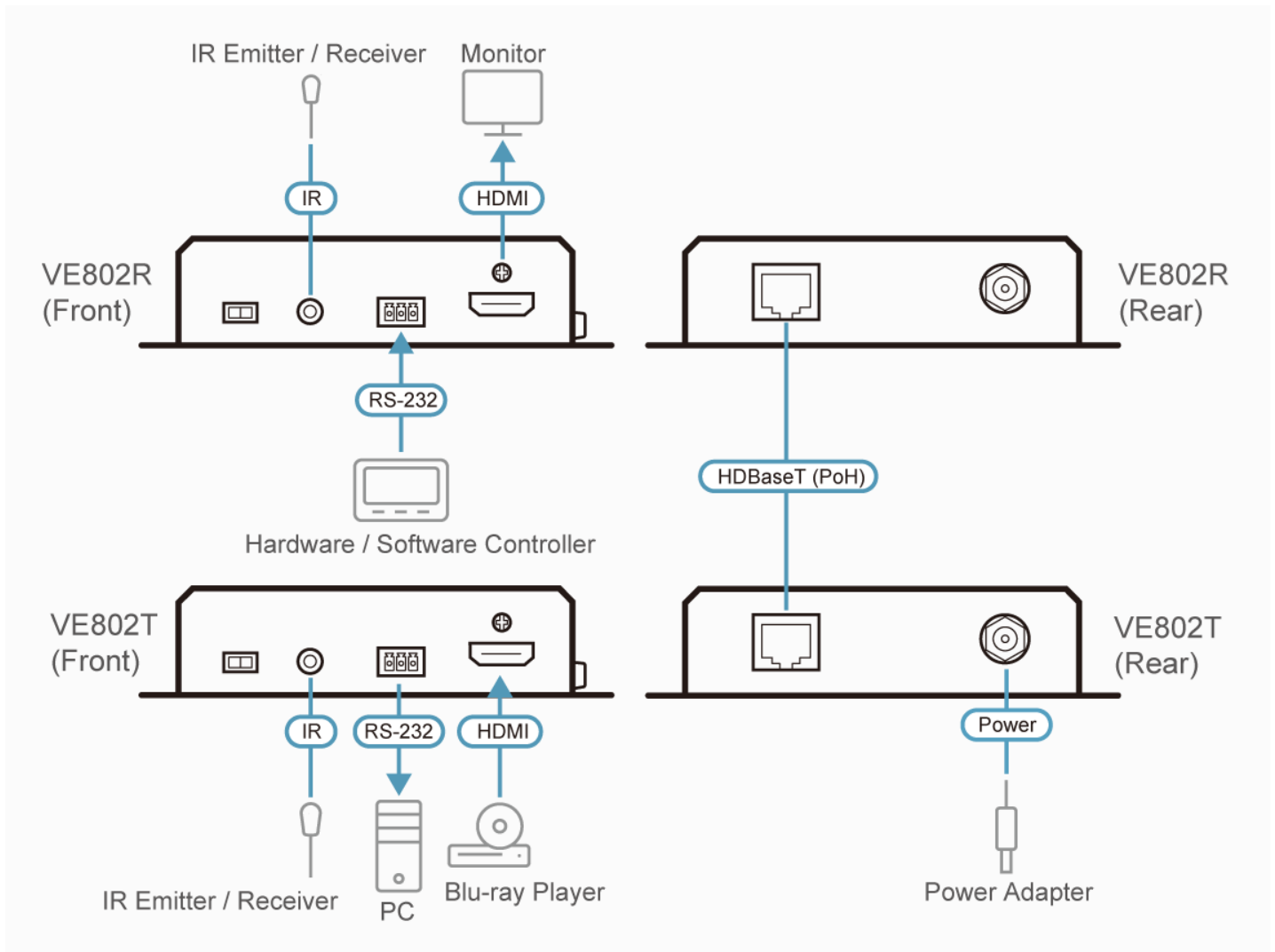
- HDBaseT Connectivity – extends an HDMI connection over a long distance via one Cat 5e/6/6a cable
- Superior video quality – up to 4K@35m (Cat 5e/6) / 40m (Cat 6a or ATEN [2L-2910](#) Cat 6 cable)
- HDBaseT Anti-jamming – resists signal interference during high-quality video transmission using HDBaseT technology
- PoH (Power over HDBaseT) – supplies power from Transmitter to Receiver over a long distance via one Cat 5e/6/6a cable
- Bi-directional RS-232 channel – allows you to connect to serial terminals or serial devices, such as touch screens and barcode scanners
- Bi-directional IR channel – IR transmission is processed one direction at a time
- Rack- Mountable

### Specification

Function	VE802R	VE802T
Video Input		
Interfaces	N/A	1 x HDMI Type A Female (Black)
Impedance	N/A	100 Ω
Max. Distance	N/A	3 m
Video Output		
Interfaces	1 x HDMI Type A Female (Black)	N/A
Impedance	100 Ω	N/A
Max. Distance	3 m	N/A
Video		
Max. Data Rate	10.2Gbps (3.4Gbps per lane)	10.2Gbps (3.4Gbps per lane)
Max. Pixel Clock	340 MHz	340 MHz
Compliance	HDMI (3D, Deep Color, 4K) HDCP2.2 Compatible Consumer Electronics Control (CEC)	HDMI (3D, Deep Color, 4K) HDCP2.2 Compatible Consumer Electronics Control (CEC)

Max. Resolutions / Distance	Up to 4K@35m (Cat 5e/6) / 40m (Cat 6a/ATEN 2L-2910 Cat6); 1080p@60m (Cat 5e/6) / 70m (Cat 6a/ATEN 2L-2910 Cat6) *4K supported: 4096 x 2160 / 3840 x 2160 @ 60Hz (4:2:0); 4096 x 2160 / 3840 x 2160 @ 30Hz (4:4:4)	Up to 4K@35m (Cat 5e/6) / 40m (Cat 6a/ATEN 2L-2910 Cat6); 1080p@60m (Cat 5e/6) / 70m (Cat 6a/ATEN 2L-2910 Cat6) *4K supported: 4096 x 2160 / 3840 x 2160 @ 60Hz (4:2:0); 4096 x 2160 / 3840 x 2160 @ 30Hz (4:4:4)
Audio		
Input	N/A	1 x HDMI Type A Female (Black)
Output	1 x HDMI Type A Female (Black)	N/A
Control		
RS-232	Connector: 1 x Terminal Block, 3 pole Baud Rate: 19200, Data Bits:8, Stop Bits:1, no parity and flow control	Connector: 1 x Terminal Block, 3 pole Baud Rate: 19200, Data Bits:8, Stop Bits:1, no parity and flow control
IR	1 x Mini Stereo Jack Female (Black)	1 x Mini Stereo Jack Female (Black)
Connectors		
Power	1 x DC Jack (Black) with locking or 1 x RJ-45 (Power Over HDBaseT, POH)	1 x DC Jack (Black) with locking
Unit To Unit	1 x RJ-45 Female	1 x RJ-45 Female
Power Consumption	DC5V:4.37W:20BTU POH:5.46W:25BTU  Note: ● The measurement in Watts indicates the typical power consumption of the device with no external loading. ● The measurement in BTU/h indicates the power consumption of the device when it is fully loaded.	DC5V:2.7W:13BTU  Note: ● The measurement in Watts indicates the typical power consumption of the device with no external loading. ● The measurement in BTU/h indicates the power consumption of the device when it is fully loaded.
Environmental		
Operating Temperature	0 - 50°C	0 - 50°C
Storage Temperature	-20 - 60°C	-20 - 60°C
Humidity	0 - 80% RH, Non-Condensing	0 - 80% RH, Non-Condensing
Physical Properties		
Housing	Metal	Metal
Weight	0.46 kg ( 1.01 lb )	0.44 kg ( 0.97 lb )
Dimensions (L x W x H) with bracket	14.04 x 12.30 x 3.00 cm (5.53 x 4.84 x 1.18 in.)	14.04 x 12.30 x 3.00 cm (5.53 x 4.84 x 1.18 in.)
Dimensions (L x W x H) without bracket	13.60 x 10.10 x 2.90 cm (5.35 x 3.98 x 1.14 in.)	13.60 x 10.10 x 2.90 cm (5.35 x 3.98 x 1.14 in.)

Diagram



**ATEN International Co., Ltd.**

3F., No.125, Sec. 2, Datong Rd., Sijhih District., New Taipei City 221, Taiwan  
 Phone: 886-2-8692-6789 Fax: 886-2-8692-6767  
 www.aten.com E-mail: marketing@aten.com



© Copyright 2015 ATEN® International Co., Ltd.  
 ATEN and the ATEN logo are trademarks of ATEN International Co., Ltd.  
 All rights reserved. All other trademarks are the property of their respective owners.