

VE8962

True 4K HDMI Over IP Transmitter with PoE/ True 4K HDMI Over IP Receiver with PoE



Coming soon

Adopting the advanced compression technology, the ATEN VE8962 Video over IP Extender that consists of a transmitter VE8962T and a receiver VE8962R can transmit up to 4096 x 2160 @ 60 Hz (4:4:4) HDMI, audio, USB 2.0, IR, RS-232 signals with ultra-low latency via a single Cat 5e/ 6 cable.

Besides, the VE8962 features power redundancy with DC in and Power over Ethernet, over IP redundancy with copper cable and fiber optical cable, operation redundancy with user-friendly Web GUI and control commands by control system.

With a built-in scaler, the VE8962 can easily upscale various input resolutions to 4096 x 2160 @ 60 Hz, giving viewers the best video and picture quality across all displays. Moreover, the VE8962 is capable of embedding and de-embedding the HDMI audio signals.

The extender supports multiple ways of controls including Pushbuttons, Web GUI, RS-232, bi-directional IR, Telnet/ Reslink. The VE8962 also provides users with user-friendly Web GUI to customize the control room on Web for contextual and practical usage. The VE8962 supports USB 2.0 compatibility enabling the users to access to USB 2.0 peripherals. For additional local input usage, the extender is equipped with local HDMI input and pushbutton for easily port switching.

Engineered to meet today's demands of large scale, multi-display, True 4K signal transmission, the VE8962 supports AV matrix switch and video wall configurations with up to 64 displays allowing you to design creative video walls for the combination of horizontal and vertical displays.

With limitless scalability and flexibility, the VE8962 Video over IP Extender can transmit the signals from floor to floor through over IP structure with simple installation, making it an ideal and reliable solution for a wide range of environments, such as trade shows, airports, university campuses, conference centers, and shopping centers.



Features

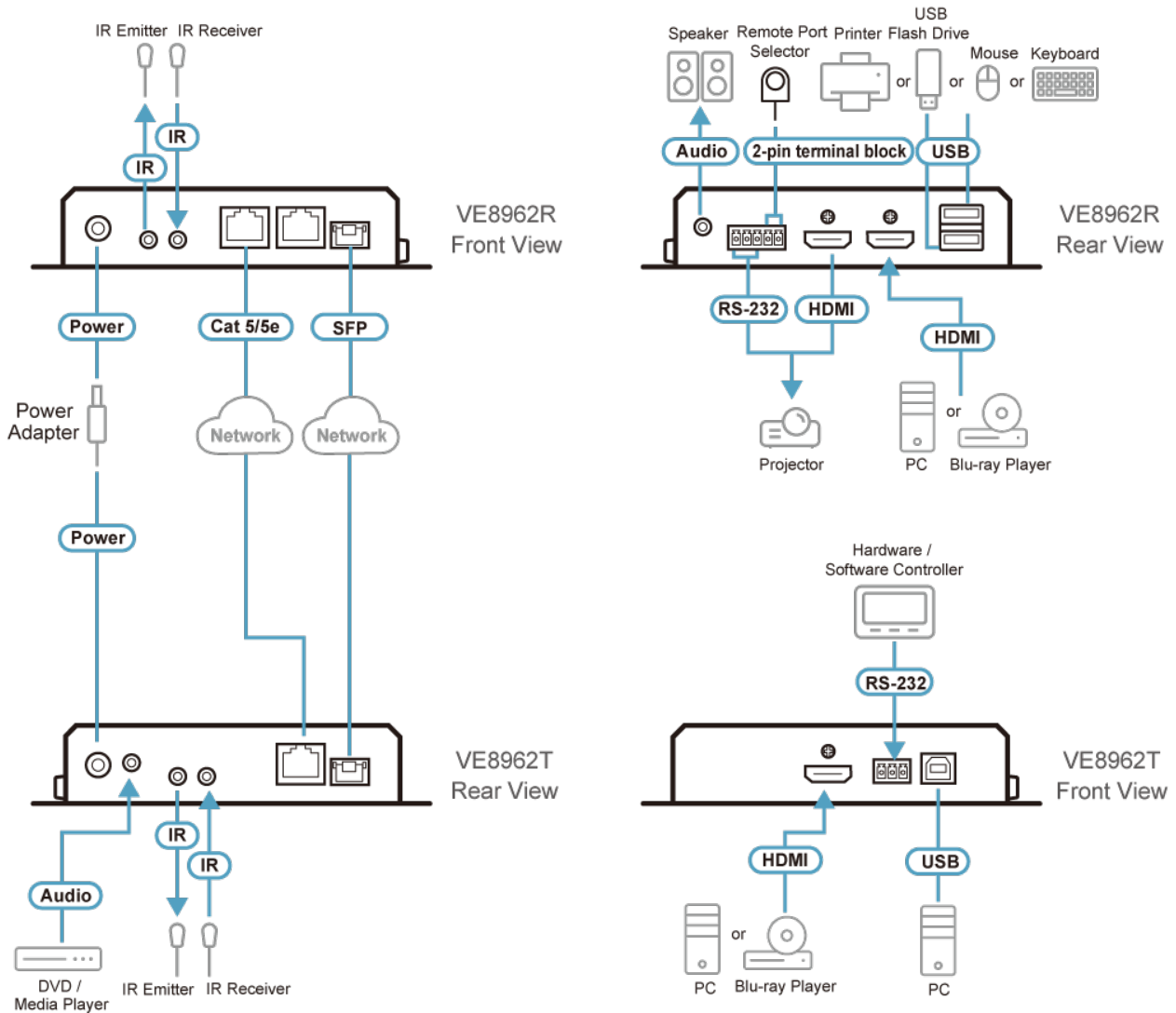
- **Lightweight Compression with Ultra-low Latency**
 - Extends True 4K HDMI signals over IP by a single Cat 5e/ 6 cable with ultra-low latency
 - Delivers visually lossless high-quality video up to 4096 x 2160 @ 60 Hz (4:4:4)
 - Supports HDR 10 with HDCP 2.2 compliant for content protection
 - Supports individual stereo audio and HDMI audio formats including LPCM 7.1CH, Dolby True HD, Dolby Digital Plus, and DTS-HD Master Audio
 - EDID Expert™ selects the optimum EDID settings for smooth power-up, high-quality display, and the best video resolution across different screens Offers different levels of video compression rates including Smooth, Balanced, and High Quality for users to choose from, depending on practical usage

- **Multiple Redundant Mechanisms**
 - Power redundancy – with 1 DC Jack and Power over Ethernet (PoE) function (compliant with IEEE 802.3at standard)
 - Over IP redundancy – transmitting over IP signals through copper cable and fiber optical cable
 - Operation redundancy – user-friendly Web GUI and multiple control methods

- **Limitless Scalability and Flexibility**
 - Extends AV connections from a simple point-to-point to a multi-point to multi-point setup via LAN without distance limitations
 - Offers multi-functionality in extender, splitter, matrix switch, video wall, and daisy chain applications
 - True 4K Scaler – converting input resolutions to optimum display resolutions

- Built-in 8KV/15KV ESD protection
 - Rack-mountable
-
- **Quick IP Setup**
 - Simple configuration that requires no extensive IT experience or additional learning
 - Effortlessly switches among input sources via ID number of top panel push buttons
-
- **Web GUI-Based Management, No Additional Server PCs or Software Required**
 - Intuitive Web GUI – for central management and can work with all major operating systems
 - Through the “Find Me” button on the Web GUI, users can easily search all VE8962 devices
 - Operated with imagery and contextualized Web GUI, users can classify practical usages by importing environmental pictures to control room intuitively
 - Smooth and clear 720p preview of the source on Web GUI
-
- **Spontaneous Scheduling Management**
 - Offers a user-friendly scheduling management function for users to pre-plan display schedule
 - Provides robust and intuitive scheduling management options to help users manage all events in the calendar to as detailed as to setting events to minute intervals
 - Integrates all VE8962 units to arrange profiles by grouping individual receivers or video wall
 - Multiple profiles can be arranged to play in any order over a selected period of time
-
- **Go Further For Less with Daisy Chain**
 - Daisy chain up to 30 units
 - Connects multiple displays through a single port to utilize every port of the network switch and maximize their value
 - Easily expandable – cabling and system deployment is easy with no huge network switches and fewer cables needed
 - Perfect for large-scale deployment covering hundreds of meters through fiber optical cables, such as trade shows, airports, university campuses, conference centers, and shopping centers
-
- **Video Wall Support**
 - Supports up to 8 x 8 video wall (64 displays)
 - Supports horizontal or vertical (90° and 270° rotation) display orientation
 - Easily switches layout profiles, previews and drag-and-drop video sources via intuitive web GUI
 - Supports boundless switch between USB 2.0 keyboard and mouse
-
- **Embedded / De-embedded Audio Support**
 - For transmitters – separate stereo audio signals can be embedded into the HDMI stream
 - For receivers – audio streams can be extracted from the HDMI stream and delivered as a separate audio signal
-
- **Multiple Control Channels**
 - Local HDMI input – the VE8962 is equipped with local HDMI input for additional local input usage and push button for easy port switching
 - LCM display – top-panel LCM display allows for the monitoring of the ID & IP address and status of the extender
 - USB Connectivity – USB port (USB 2.0) allows for connection of devices such as keyboard, mouse, flash drive, printer, and other USB peripherals*
 - Bi-directional IR Channel – IR transmission is processed one way at a time
 - RS-232 Channel – bi-directional RS-232 serial port allows for connection of peripherals such as touch screens and barcode scanners
 - CLI to RS-232 – allows remote control of the source device connected to the transmitter or the sink device connected to the receiver from the control room through over-IP structure
-
- **Collaboration with ATEN Control System**
 - Integrated solution – Compatible with ATEN Control System, allowing users to directly operate VE8962T/VE8962R via CLI Telnet, RS-232 protocol, or Mobile Control App
 - Effortless Operation – Simple click to effectively operate VE Manager, TV, projector, source player, and related equipment via touch panel and keypad

Diagram



ATEN International Co., Ltd.

3F., No.125, Sec. 2, Datong Rd., Sijhih District., New Taipei City 221, Taiwan
 Phone: 886-2-8692-6789 Fax: 886-2-8692-6767
 www.aten.com E-mail: marketing@aten.com



© Copyright 2015 ATEN® International Co., Ltd.
 ATEN and the ATEN logo are trademarks of ATEN International Co., Ltd.
 All rights reserved. All other trademarks are the property of their respective owners.