

## VS184A

4-Port 4K HDMI Splitter



The VS184A HDMI Splitter is the perfect solution for anyone who needs to send one source of digital high definition video to four displays at the same time. It supports all HDMI-enabled equipment, such as DVD players, satellite set-top boxes and all HDMI displays.

The VS184A HDMI Splitter is HDCP (High Bandwidth Digital Content Protection) compliant, making it effective for use with all HDMI displays in home theater applications, as well as in corporate, educational and commercial settings.



### Features

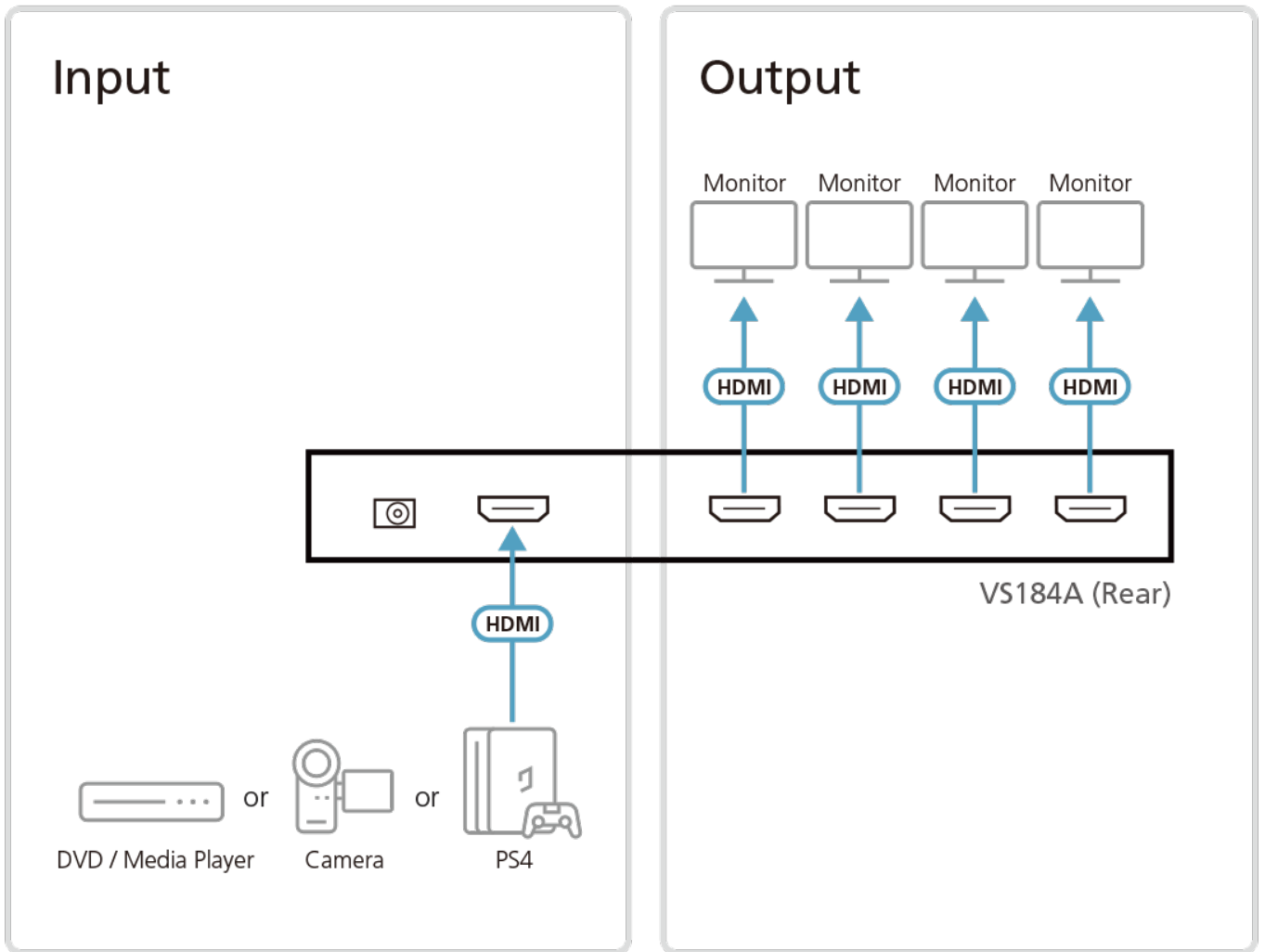
- Connects one HDMI source to four HDMI displays at the same time
- HDMI (3D, Deep Color, 4K); HDCP Compatible
- Supports resolutions of up to Ultra HD 4k x 2k
- Supports Dolby True HD and DTS HD Master Audio
- Long distance transmission – up to 15 m (24 AWG)
- Supports max. data rate of 10.2 Gbps
- Plug-and-play – no software installation required

Note: Long distance transmission up to 20m (with ATEN [2L-7D20H](#))

**Specification**

Video Input	
Interfaces	1 x HDMI Type A Female (Black)
Impedance	100 Ω
Max. Distance	3m @3840x2160@30Hz (4:4:4)
Video Output	
Interfaces	4 x HDMI Type A Female (Black)
Impedance	100 Ω
Max. Distance	15m @3840x2160@30Hz (4:4:4)
Video	
Max. Data Rate	10.2 Gbps (3.4 Gbps Per Lane)
Max. Pixel Clock	340 MHz
Compliance	HDMI (3D, Deep Color, 4K); HDCP Compatible
Max. Resolution	Up to 4096 x 2160 / 3840 x 2160 @ 60Hz (4:2:0); 4096 x 2160 / 3840 x 2160 @ 30Hz (4:4:4)
Audio	
Input	1 x HDMI Type A Female (Black)
Output	4 x HDMI Type A Female (Black)
Connectors	
Power	1 x DC Jack
Power Consumption	DC5.3V:6.02W:28BTU/h  Note: ● The measurement in Watts indicates the typical power consumption of the device with no external loading. ● The measurement in BTU/h indicates the power consumption of the device when it is fully loaded.
Environmental	
Operating Temperature	0-50 °C
Storage Temperature	-20 - 60°C
Humidity	0 - 80% RH, Non-Condensing
Physical Properties	
Housing	Metal
Weight	0.47 kg ( 1.04 lb )
Dimensions (L x W x H)	20.00 x 8.00 x 2.50 cm (7.87 x 3.15 x 0.98 in.)
Carton Lot	20 pcs
Note	For some of rack mount products, please note that the standard physical dimensions of WxDxH are expressed using a LxWxH format.

Diagram



**ATEN International Co., Ltd.**

3F., No.125, Sec. 2, Datong Rd., Sijhih District., New Taipei City 221, Taiwan  
 Phone: 886-2-8692-6789 Fax: 886-2-8692-6767  
 www.aten.com E-mail: marketing@aten.com



© Copyright 2015 ATEN® International Co., Ltd.  
 ATEN and the ATEN logo are trademarks of ATEN International Co., Ltd.  
 All rights reserved. All other trademarks are the property of their respective owners.