

VS194

4-port True 4K DisplayPort Splitter



The VS194 4-Port 4K DisplayPort Splitter is the perfect solution for anyone who needs to send one source of DisplayPort high definition video to 4 DisplayPort displays. The VS194, not only splits but also expands DisplayPort audio/video signals on 4 DisplayPort monitors, is ideal for any multi-display application.

The VS194 is compatible with DisplayPort 1.2a and can support up to 4K resolution at 60 Hz, making it effective and ideal for use with all DisplayPort displays in corporate, educational, and commercial settings.



Features

- Connects 1 DisplayPort source to 2 DisplayPort monitors
- Supports DisplayPort 1.2a; HDCP 1.3
- Supports resolutions up to 4096 x 2160 / 3840 x 2160 @ 60 Hz
- Supports MST/ Extend Mode and SST/ Split Mode*

MST/ Extend Mode:

Extend a video source across 4 displays with a maximum resolution of 4K.

SST/ Split Mode:

Duplicate a single video source to 4 displays with a maximum resolution of 4K on each monitor

- Supports Linkrate: HBR2 (High Bit Rate 2)

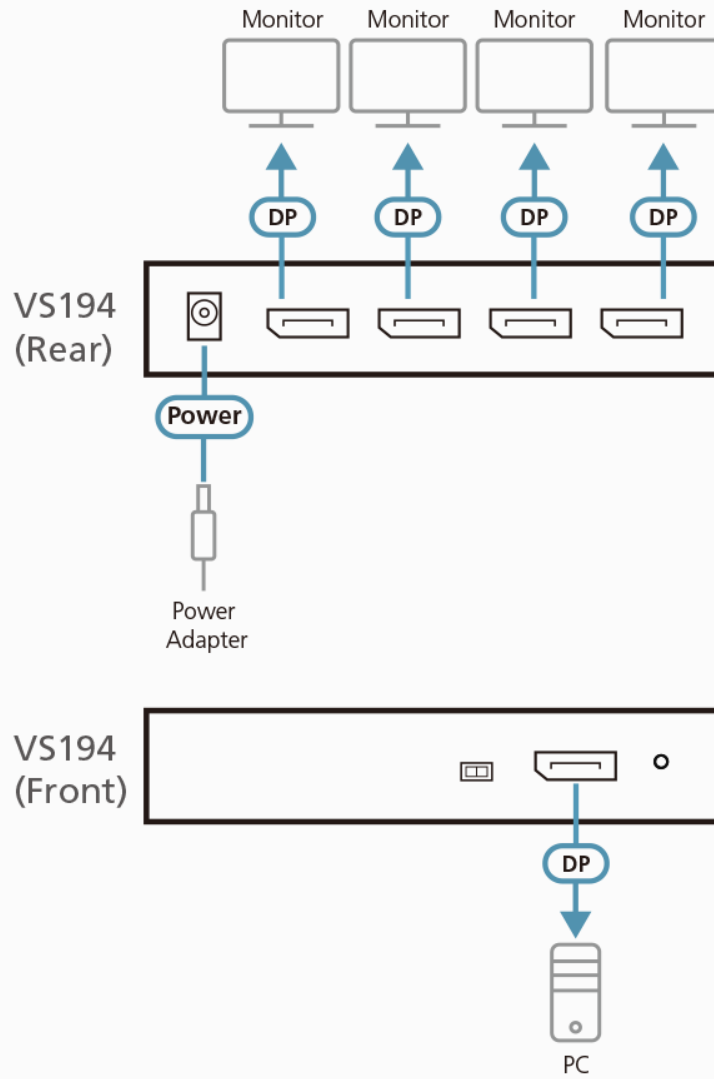
Note:

* The VS194 will bypass EDID Mode during SST Mode and will detect the resolution of the monitor connected to port 1.

Specification

Video Output	
Interfaces	4 x DisplayPort Female (Black)
Max. Distance	4.6m (4096 x 2160 / 3840 x 2160 @ 60Hz) *tested with 2L-7D04DP
Video Input	
Interfaces	1 x DisplayPort Female (Black)
Max. Distance	4.6m (4096 x 2160 / 3840 x 2160 @ 60Hz) *tested with 2L-7D04DP
Video	
Compliance	DP 1.2a; HDCP 1.3
Max. Resolution	Up to 4096 x 2160 / 3840 x 2160 @ 60Hz
Max. Data Rate	21.6 Gbps (5.4 Gbps per lane)
Connectors	
Power	1 x DC Jack
Power Consumption	DC5V:3.36W:44BTU/h Note: ● The measurement in Watts indicates the typical power consumption of the device with no external loading. ● The measurement in BTU/h indicates the power consumption of the device when it is fully loaded.
Environmental	
Operating Temperature	0-40 °C
Storage Temperature	-20 - 60 °C
Humidity	0 - 80% RH, Non-Condensing
Physical Properties	
Housing	Metal
Weight	0.33 kg (0.73 lb)
Dimensions (L x W x H)	12.50 x 8.00 x 2.50 cm (4.92 x 3.15 x 0.98 in.)
Carton Lot	20 pcs
Note	For some of rack mount products, please note that the standard physical dimensions of WxDxH are expressed using a LxWxH format.

Diagram



ATEN International Co., Ltd.

3F, No.125, Sec. 2, Datong Rd., Sijhih District., New Taipei City 221, Taiwan
Phone: 886-2-8692-6789 Fax: 886-2-8692-6767
www.aten.com E-mail: marketing@aten.com



© Copyright 2015 ATEN® International Co., Ltd.
ATEN and the ATEN logo are trademarks of ATEN International Co., Ltd.
All rights reserved. All other trademarks are the property of their respective owners.