

## UH3234

USB-C Multiport Dock with Power Pass-Through



The ultra-sleek ATEN USB-C Multiport Dock with Power Pass-Through is a one-step total upgrade for your laptop that provides all the extra expansion you need. Simply use one cable to add up to 10 devices with power delivery pass-through to boost your productivity with extra HDMI, DisplayPort, VGA, USB3.1 Gen1, SD/MMC/MicroSD, Ethernet and audio connections.



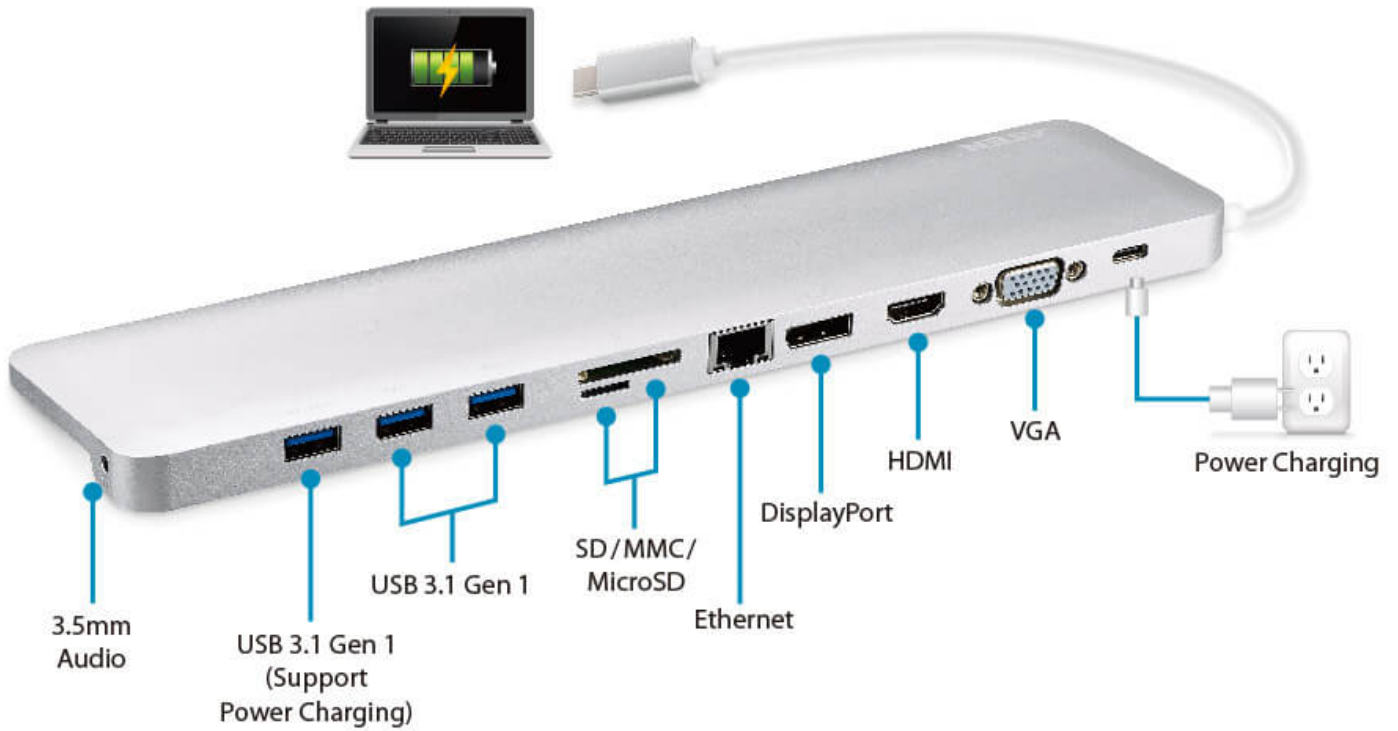
**Stylish and Smart Design**

With a sleek, ergonomic design, the docking station's aluminum enclosure makes it lightweight yet rugged, meaning you can place your laptop directly on top of the docking station to save space, type comfortably and keep your laptop cool.

**One Cable for Power, Video, Audio, Data**

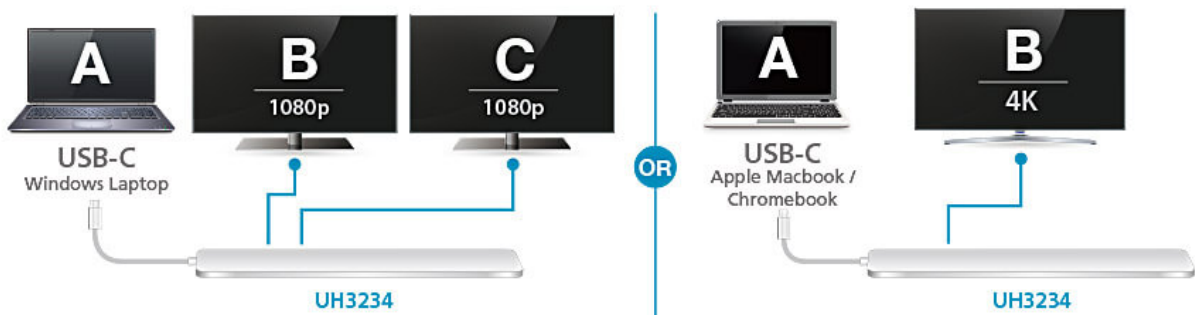
Use the single USB-C cable to charge, transfer data and expand your workstation with up to 10 ports. The docking station not only offers the flexibility of three video interface options (HDMI, DisplayPort and VGA), but also it is equipped with readers for SD/MMC/MicroSD memory cards. You can connect a headset/microphone or an array of USB Type-A peripherals, such as external hard drives, or a full-sized keyboard and mouse, to complete your workstation.

To keep charging all your power-hungry devices and peripherals while working, the dock provides 60W of power delivery pass-through via your laptop's USB-C AC power adapter.



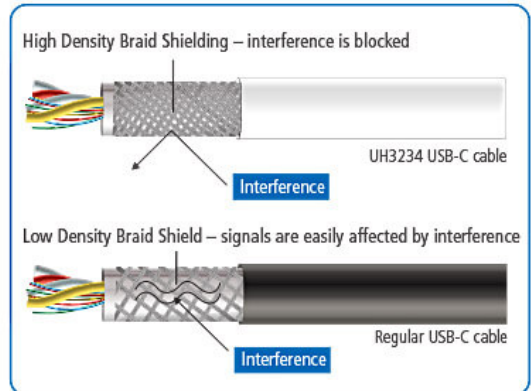
**Stunning 4K or Dual HD Monitor Setup**

This versatile dock allows to extend your MacBook or Chromebook to an additional monitor and enjoy an ultra high-definition visual experience. You can also mirror or extend your Windows USB-C laptop to two monitors and improve your productivity and get more things done.



**Superior Anti-Interference (EMI) Capability**

Increase cable braid shielding density by 85% to ensure reliable and secured connectivity and operation from signal interference by other devices.



4K

DisplayPort

Dual View

PD 2.0

USB 3.2 Gen 1

Fit 13" laptop

Power Pass-Thru



**Features**

ATEN UH3234 USB-C Multiport Dock with Power Pass-Through is a sleek, ultra-slim, one-step total upgrade for USB-C enabled laptops, providing all the extra expansion capabilities one will need. Productivity is boosted thanks to its power delivery function with HDMI, DisplayPort, VGA, USB 3.2 Gen 1 Type-A, SD/MMC/MicroSD, Ethernet, and Audio connectivity, allowing up to 10 devices to be added up to the workstation.

With up to 60W Power Delivery Pass-Through, UH3234 delivers power to matched USB-C Windows or Mac laptops with PD profile specifications of 20V/3A, 12V/3A, 9V/3A, and 5V/3A.

The UH3234 can route a video signal from a source computer to a DisplayPort or HDMI monitor via a cable while assuring the highest video quality at 4K resolutions. Users can also mirror or extend their Windows-based USB-C laptop to two monitors at 1080p.

The UH3234 is a plug-and-play device compatible with all major operating systems (Windows and OS X). It either helps save desktop space by allowing users to place their laptops directly on top of it thanks to its lightweight, rugged enclosure, or compliment your workstation with its stylish look.

- A stylish and ultra slim docking station with HDMI, DisplayPort, VGA, USB 3.2 Gen 1 Type-A, SD/MMC/MicroSD, Ethernet and audio ports <sup>1</sup>
- Allows for connecting up to 10 devices instantly via a USB-C cable
- Provides Power Delivery Pass-through up to 60 W after 15 W deducted and used by the dock <sup>2</sup>
- Supported power profiles include 20V/3A, 12V/3A, 9V/3A, and 5V/3A power specifications
- Supports 4K resolutions on a single HDMI / DisplayPort display or dual 1080p on a DisplayPort and an HDMI/VGA <sup>3</sup> monitor
- 1 x USB 3.2 Gen 1 Type-A port supports Battery Charging Specification Revision 1.2 (BC 1.2) for Fast-Charging devices
- Enhanced EMI protection by increasing the cable braid density and adding conductive foam

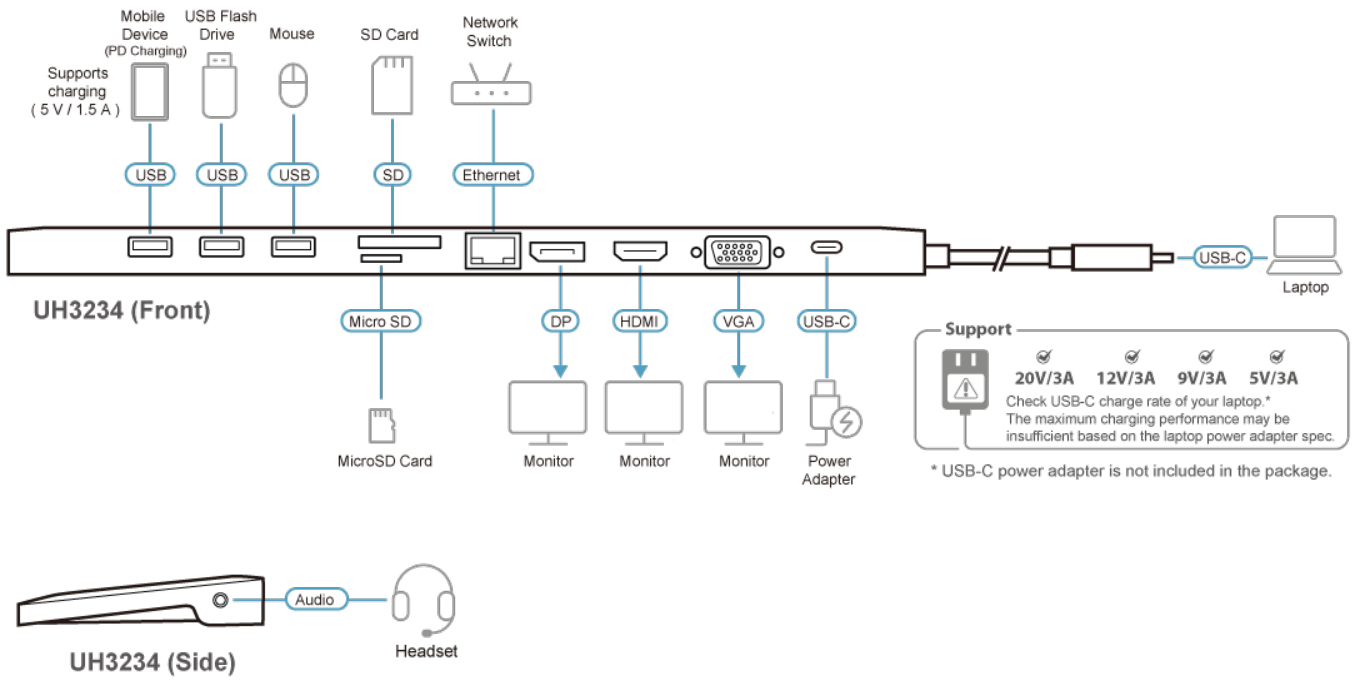
**Note:**

1. SD and Micro SD Card cannot be used at the same time; functionality accords to the order of insertion.
2. Power Delivery Pass-Through requires original USB-C charger from laptop.
3. • For video output to work through a USB-C port, it must support DP Alt Mode. For Dual-View to work, a computer's graphics card must support MST technology.
  - Mac computers only support single-view output.

**Specification**

|                        |   |
|------------------------|---|
| Computer Connections   | 1   |
| Connectors             |   |
| Computer               | 1 x USB-C Male  |
| Device                 | 1 x USB 3.2 Gen1 Type-A Female with BC1.2 (Blue)*<br>2 x USB 3.2 Gen1 Type-A Female (Blue)*<br><br>*The total output of 3 USB Ports is max. 5V, 10W.  |
| Video Output           | 1 x DisplayPort Female<br>1 x HDMI Female<br>1 x VGA Female   |
| LAN Ports              | 1 x Gigabit Ethernet Female   |
| Audio                  | 1 x 3.5mm stereo 4-pole microphone and headphone jack   |
| Power                  | 1 x USB-C DC-in Female*<br><br>* Supports USB Power Delivery 2.0 for charging up to 60W, power profiles includes 5V, 9V, 12V, and 20V (additional USB-C PD power adapter needed).<br>* The minimum system power requirement for basic USB functions and video output should be at least 5V, 15W.<br>* For device charging, a Limited Power Source (LPS) certified USB-C PD power adapter over 65 Watt is recommended.   |
| Performance            |   |
| Flash Memory           | 1 x SD/SDHC/SDXC card slot*<br>1 x Micro SD/SDHC/SDXC (up to 128 GB) card slot*<br><br>*SD and Micro SD Card cannot be used at the same time; functionality accords to the order of insertion.  |
| Video Resolution       | Single-View :<br>DisplayPort - 3840 x 2160@30<br>HDMI - 3840 x 2160@30<br>VGA - 1920 x 1200@60<br><br>Dual-View :*<br>DisplayPort/HDMI - 1920 x 1080@60<br>DisplayPort/VGA - 1920 x 1080@60<br><br>* For Dual-View to work, a computer's graphics card must support MST technology. Mac computers only support a single-view output.  |
| Power Consumption      | DC5V:15W:66BTU/h<br><br>Note:<br>● The measurement in Watts indicates the typical power consumption of the device with no external loading.<br>● The measurement in BTU/h indicates the power consumption of the device when it is fully loaded.  |
| System Requirements    | Windows 10 and above, USB-C enabled computer with DP Alt Mode*<br>* With Intel 7th-Generation Core Processor (Kaby-Lake) and above. More info about CPU generation, please find:<br><a href="https://www.intel.com/content/www/us/en/processors/processor-numbers.html">https://www.intel.com/content/www/us/en/processors/processor-numbers.html</a><br><br>Mac OS X 10.12 and above, USB-C enabled computer<br><br>iPadOS 13.1 and above, iPad Pro (USB-C)*<br>*iPad Pro only supports single view in mirror mode |
| Environmental          |   |
| Operating Temperature  | 0°C to 40°C (32°F to 122°F)   |
| Storage Temperature    | -10°C to 70°C (-4°F to 158°F)   |
| Humidity               | 10% to 90% relative humidity, non-condensing  |
| Physical Properties    |   |
| Housing                | Aluminum  |
| Weight                 | 0.32 kg ( 0.7 lb )  |
| Dimensions (L x W x H) | 28.00 x 7.50 x 1.45 cm<br>(11.02 x 2.95 x 0.57 in.)   |
| Note                   | For some of rack mount products, please note that the standard physical dimensions of WxDxH are expressed using a LxWxH format.   |

Diagram



**ATEN International Co., Ltd.**

3F, No.125, Sec. 2, Datong Rd., Sijhih District., New Taipei City 221, Taiwan  
 Phone: 886-2-8692-6789 Fax: 886-2-8692-6767  
 www.aten.com E-mail: marketing@aten.com



© Copyright 2015 ATEN® International Co., Ltd.  
 ATEN and the ATEN logo are trademarks of ATEN International Co., Ltd.  
 All rights reserved. All other trademarks are the property of their respective owners.