

## Customizable Multiple Media Displays and Sources



### Scenario: Tutorial Center

A tutorial center has 7 classes that are learning different sets of materials. Each classroom has a video monitor. The administrators want to use these monitors to show lessons customized for each class. The lessons are stored in 8 servers located far from the classroom. They need a setup that can stream the contents of the servers, over long distance, to the video monitors across 7 classrooms.

### ATEN Solutions

#### Media Distribution Solutions

The ATEN complete MDS Media Distribution Solution is a cost-effective and efficient way to send high quality multimedia content over Cat 5e cable to multiple displays from a single input source. It also handles high quality digital audio and video streaming from anywhere on the intranet.



#### CS9138 8-Port KVM Switch

CS9138 is a KVM Switch with built-in PS/2. It can control 8 servers via a single console and allows users to switch between computers.



#### VS9A2 2-Port Video Splitter

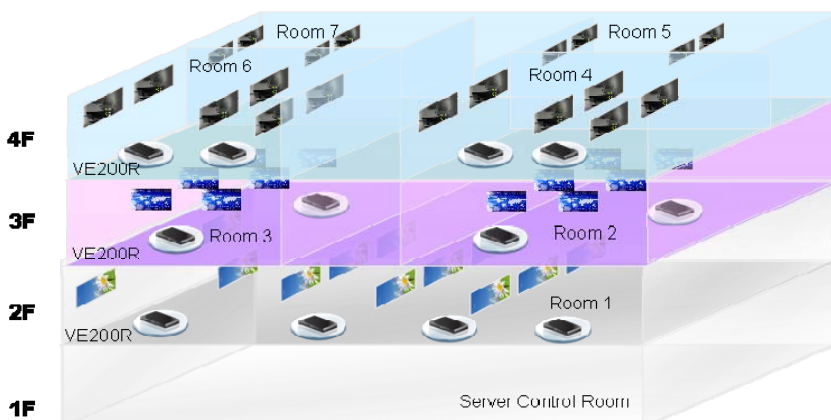
The VS92A is a video splitter that not only duplicates the video signal from any VGA, XGA, SVGA, UXGA, or multisync monitor to two outputs, but also boosts the video signal over a distance of up to 65 meters.



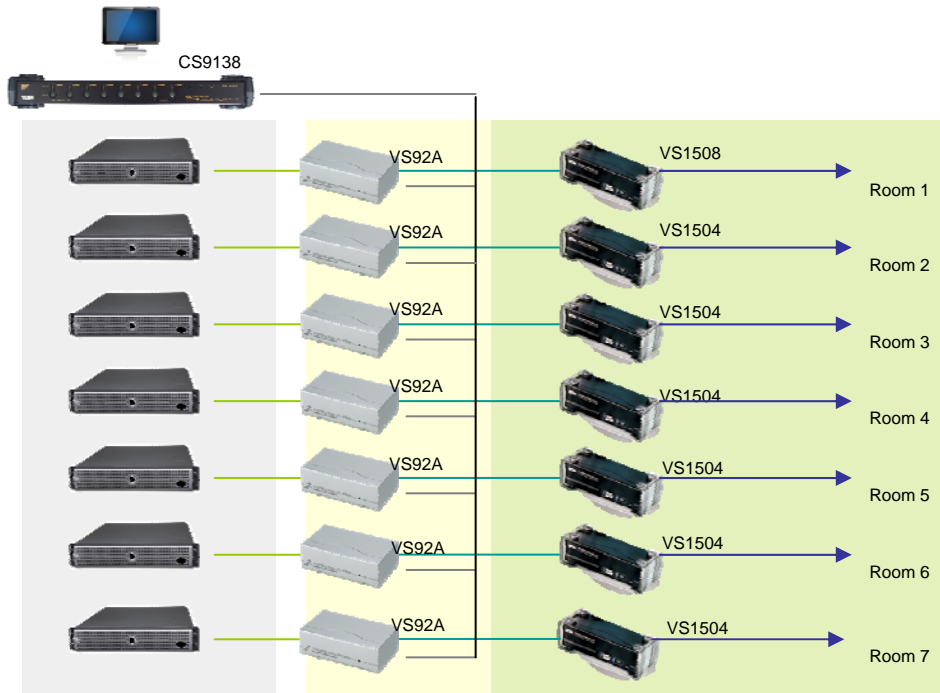
### Benefits

- Superior video quality : 1920 x 1200 over long distance.
- Cost effective solution
- A/V content over Cat 5e cable to multiple displays
- Dual Audio/Video Output

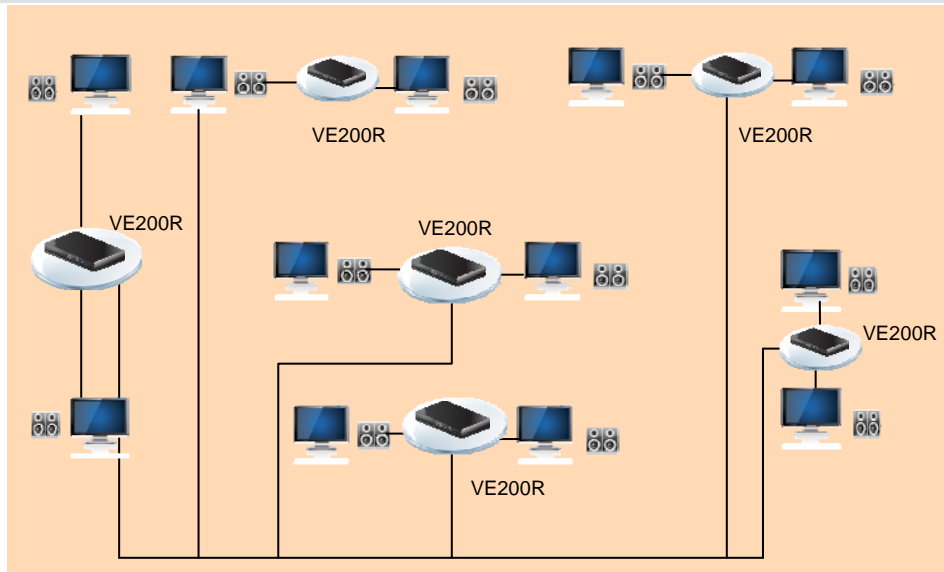
### Setup



**Server Control Room**



**Room 1**



**Room 2 ~ Room 7**

