

CE920R

USB DisplayPort HDBaseT™ 2.0 KVM Extender (Remote Unit) (4K@100)



The ATEN [CE920](#) USB DisplayPort HDBaseT™ 2.0 KVM Extender integrates the latest HDBaseT™ 2.0 technologies to deliver 4K video, stereo audio, USB, Ethernet, and RS-232 signals up to 100 meters using a single Cat6 / [2L-2910](#) Cat 6 cable. The HDBaseT™ 2.0 guarantees the most reliable transmission on the market as well as enables the long-reach capability that extends full HD 1080P signals up to 150 meters. With an easy cable installation supporting various signals, the [CE920](#) is ideal for applications where convenient remote access is required – such as transportation control centers, medical facilities, industrial warehouses, and extended workstations.

Note: The CE920R-AT supports Ethernet function and the CE920R-ATA does not.



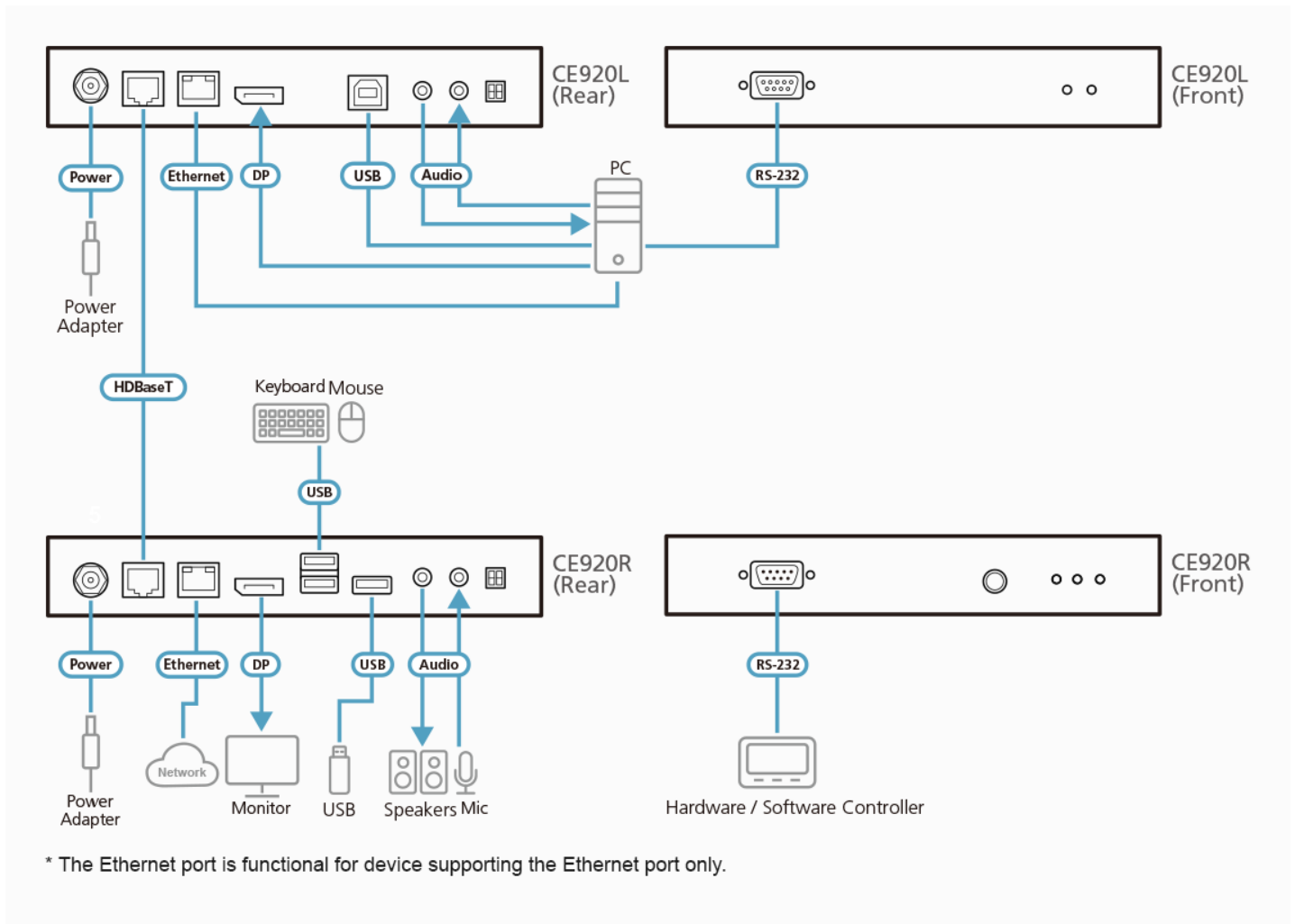
Features

- Supports HDBaseT™ 2.0 technology
 - Extends video, audio, USB, RS-232, and Ethernet signals via a single Cat6 / 6a / [2L-2910](#) Cat 6 cable
 - Enhanced bit error detection and correction to resist signal interference during high-quality video transmissions
 - Status detection and LED indication for HDBaseT™ signal transmission on remote unit
- EDID Buffer for smooth power-up and the highest quality display
- Long distance with superior video quality
 - HDBaseT™ Standard mode up to 4K @ 100m (Cat 6 / 6a / [2L-2910](#))
 - HDBaseT™ Long-Reach mode up to 1080P @ 150m
- Long Reach mode switch – switches between HDBaseT™ Standard and Long Reach modes in a snap
- USB 2.0 full speed ports – ensures fast transmission speeds for peripherals
- HDCP Compatible
- Supports individual 2-channel stereo audio for high-quality audio applications
- Supports PC wakeup function via single pushbutton
- Built-in 8KV / 15KV ESD protection (Contact voltage 8KV; Air voltage 15KV)

Specification

Connectors	
Console Ports	<p>1 x DisplayPort Female (Black) 3 x USB Type A Female 1 x Mini Stereo Jack Female (Green) 1 x Mini Stereo Jack Female (Pink) 1 x RJ-45 Female (Black)</p> <p>Note: The RJ-45 ports is functional for device supporting the Ethernet port</p>
KVM Ports	N/A
RS-232	1 x DB-9 Male (Black)
Power	1 x DC Jack with locking
Unit To Unit	1 x RJ-45 Female (Black)
LEDs	
Power	1 (Green)
Link	1 (Orange)
Video Output	1 (Orange)
Switches	
Long Reach Mode Switch	1 x Slide Switch
Firmware Upgrade	1 x Slide Switch
Pushbuttons	
Wakeup button	1 x Push button
Video	<p>Up to 4K@90m (Cat 5e) / 100m (Cat 6/6a/ATEN 2L-2910 Cat6) 1080P@100m (Cat 5e/6/6a) *4K supported: 4096 x 2160 / 3840 x 2160 @ 30Hz (4:4:4)</p>
Power Consumption	<p>DC5V:6.74W:47BTU/h</p> <p>Note:</p> <ul style="list-style-type: none"> ● The measurement in Watts indicates the typical power consumption of the device with no external loading. ● The measurement in BTU/h indicates the power consumption of the device when it is fully loaded.
Environmental	
Operating Temperature	0–40°C
Storage Temperature	-20–60°C
Humidity	0–80% RH, Non-condensing
Physical Properties	
Housing	Metal
Weight	0.64 kg (1.41 lb)
Dimensions (L x W x H)	<p>18.20 x 12.19 x 2.87 cm (7.17 x 4.8 x 1.13 in.)</p>
Note	<p>DisplayPort v1.1 supports up to 4Kx2K @ 30Hz. The CE920R-AT supports Ethernet function and the CE920R-ATA does not.</p>
Note	For some of rack mount products, please note that the standard physical dimensions of WxDxH are expressed using a LxWxH format.

Diagram



ATEN International Co., Ltd.

3F, No. 125, Sec. 2, Datong Rd., Sijhih District., New Taipei City 221, Taiwan
 Phone: 886-2-8692-6789 Fax: 886-2-8692-6767
 www.aten.com E-mail: marketing@aten.com



© Copyright 2015 ATEN® International Co., Ltd.
 ATEN and the ATEN logo are trademarks of ATEN International Co., Ltd.
 All rights reserved. All other trademarks are the property of their respective owners.