

---

## 2A-128G

HDMI to DVI Adapter



The 2A-128G HDMI to DVI Converter is a bi-directional converter that allows you to connect a DVI display to a device with a HDMI display output, or display an DVI signal on a HDMI monitor.



### Features

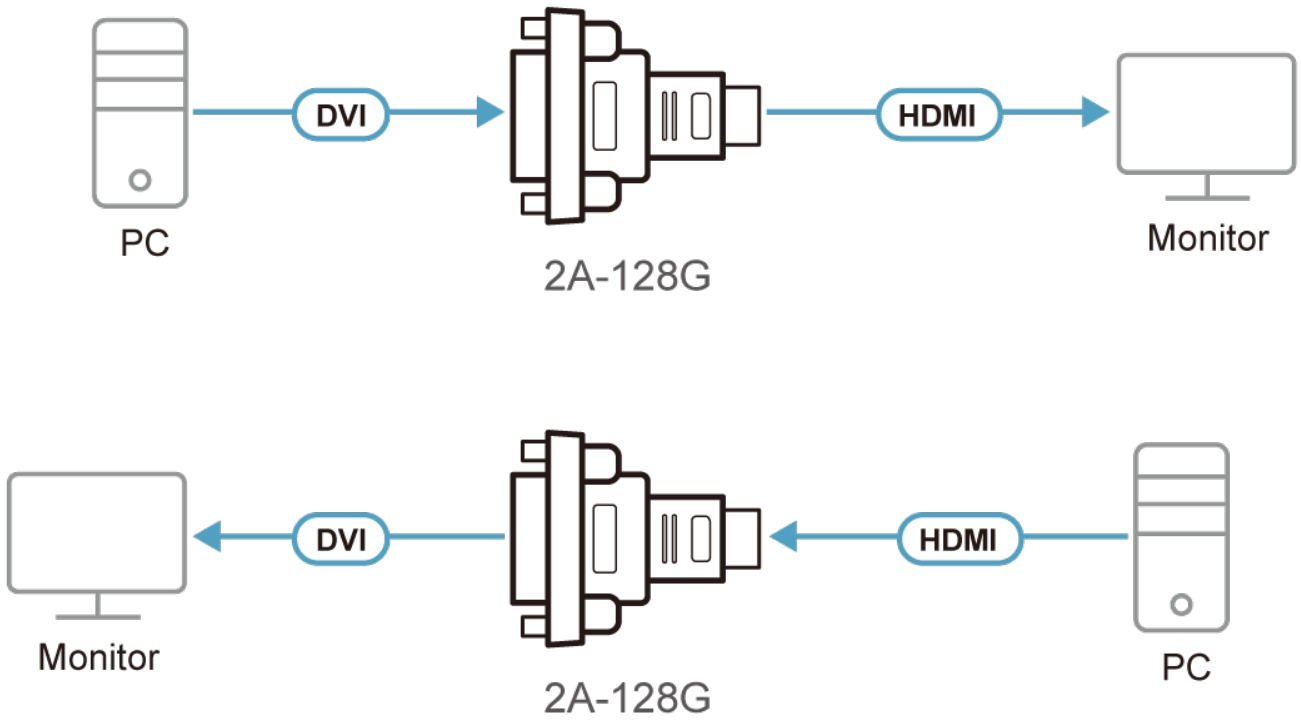
- Connects an DVI display to a device with a HDMI display output
- Bi-directional converter allows DVI-D / HDMI signal to be displayed on a monitor with an HDMI / DVI input

### Specification

Interfaces	HDMI to DVI
Max. Video Resolution	1080p; 1920 x 1200
Housing	Plastic
Physical Properties	
Weight	28 g
Dimensions (L x W x H)	5.72 x 4.05 x 1.62 cm
Note	For some of rack mount products, please note that the standard physical dimensions of WxDxH are expressed using a LxWxH format.

---

Diagram



**HDMI**<sup>™</sup>  
HIGH-DEFINITION MULTIMEDIA INTERFACE

---