

VE802R

HDMI HDBaseT-Lite Receiver with PoH (4K@40m) (HDBaseT Class B) (PoH PD)



The VE802R HDMI HDBaseT-Lite Receiver connects with HDBaseT transmitters* to extend signals up to 70m from the source using one Cat 5e/6/6a cable. It supports RS-232 and IR signaling pass-through, allowing you to control the HDMI source device from the remote unit (VE802R) while also granting access to the HDMI display device from the local unit ([VE802T](#)). IR signals can also be extended in both directions. The VE802R is HDMI (3D, Deep Color, 4k) and HDCP compatible. The VE802R is perfect for a digital entertainment center or any installation that requires superior video quality.

* Compatible HDBaseT Transmitter Units: [VE802T](#)



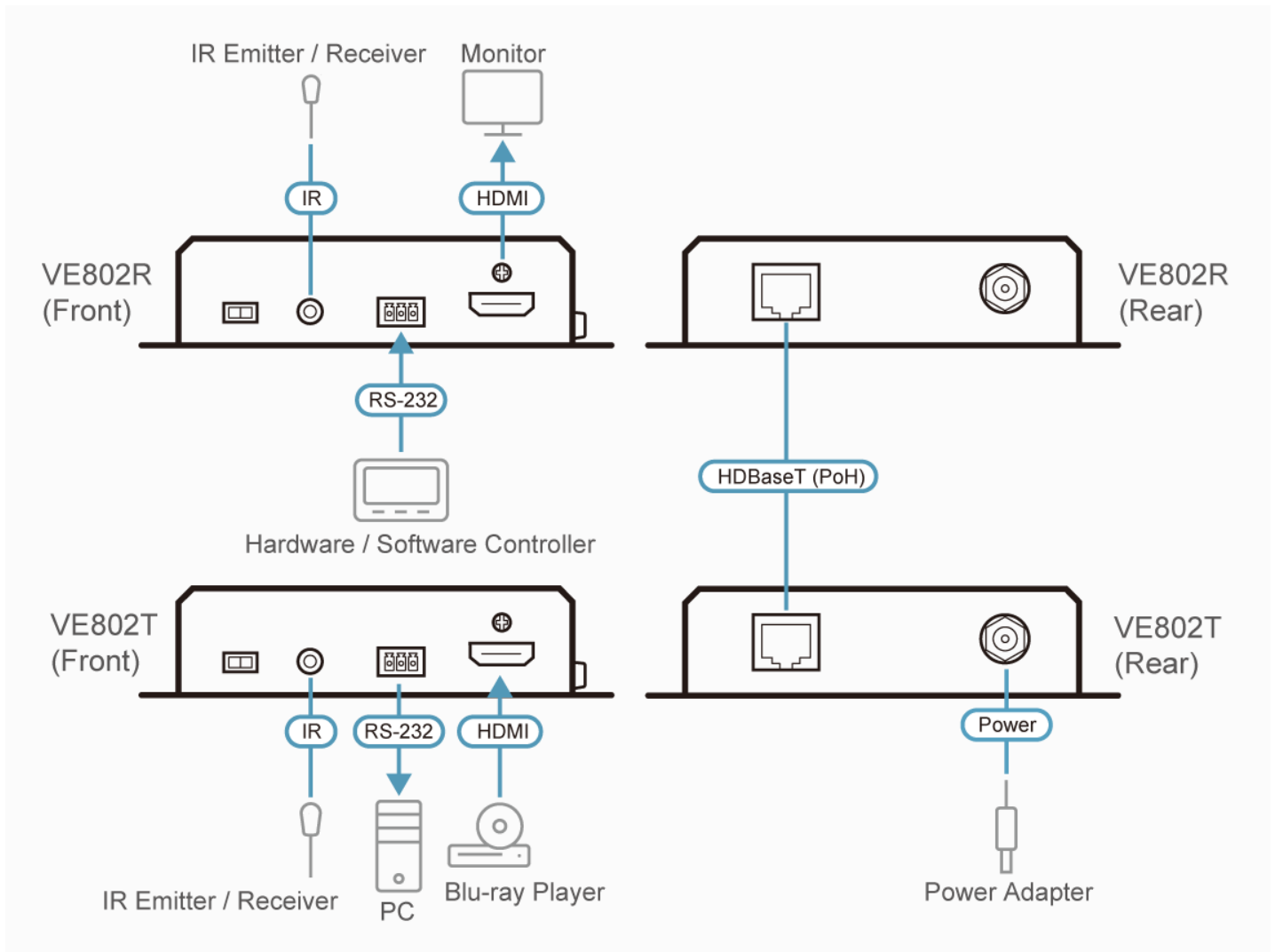
Features

- HDBaseT Connectivity – extends an HDMI connection over a long distance via one Cat 5e/6/6a cable
- Superior video quality – up to 4K@35m (Cat 5e/6) / 40m (Cat 6a or ATEN [2L-2910](#) Cat 6 cable)
- HDBaseT Anti-jamming – resists signal interference during high-quality video transmission using HDBaseT technology
- PoH (Power over HDBaseT) – supplies power from Transmitter to Receiver over a long distance via one Cat 5e/6/6a cable
- Bi-directional RS-232 channel – allows you to connect to serial terminals or serial devices, such as touch screens and barcode scanners
- Bi-directional IR channel – IR transmission is processed one direction at a time
- Rack- Mountable

Specification

Video Output	
Interfaces	1 x HDMI Type A Female (Black)
Impedance	100Ω
Max. Distance	3 m
Video	
Max. Data Rate	10.2Gbps (3.4Gbps per lane)
Max. Pixel Clock	340 MHz
Compliance	HDMI (3D, Deep Color, 4K) HDCP2.2 Compatible Consumer Electronics Control (CEC)
Max. Resolutions / Distance	Up to 4K@35m (Cat 5e/6) / 40m (Cat 6a/ATEN 2L-2910 Cat6); 1080p@60m (Cat 5e/6) / 70m (Cat 6a/ATEN 2L-2910 Cat6) *4K supported: 4096 x 2160 / 3840 x 2160 @ 60Hz (4:2:0); 4096 x 2160 / 3840 x 2160 @ 30Hz (4:4:4)
Audio	
Output	1 x HDMI Type A Female (Black)
Control	
RS-232	Connector: 1 x Terminal Block, 3 pole Baud Rate: 19200, Data Bits:8, Stop Bits:1, no parity and flow control
IR	1 x Mini Stereo Jack Female (Black)
Connectors	
Power	1 x DC Jack (Black) with locking or 1 x RJ-45 (Power Over HDBaseT, POH)
Unit To Unit	1 x RJ-45 Female
Power Consumption	DC5V:4.37W:20BTU/h POH:5.46W:25BTU/h Note: ● The measurement in Watts indicates the typical power consumption of the device with no external loading. ● The measurement in BTU/h indicates the power consumption of the device when it is fully loaded.
Environmental	
Operating Temperature	0 - 50°C
Storage Temperature	-20 - 60°C
Humidity	0 - 80% RH, Non-Condensing
Physical Properties	
Housing	Metal
Weight	0.46 kg (1.01 lb)
Dimensions (L x W x H) with bracket	14.04 x 12.30 x 3.00 cm (5.53 x 4.84 x 1.18 in.)
Dimensions (L x W x H) without bracket	13.60 x 10.10 x 2.90 cm (5.35 x 3.98 x 1.14 in.)

Diagram



ATEN International Co., Ltd.

3F., No.125, Sec. 2, Datong Rd., Sijhih District., New Taipei City 221, Taiwan
 Phone: 886-2-8692-6789 Fax: 886-2-8692-6767
 www.aten.com E-mail: marketing@aten.com



© Copyright 2015 ATEN® International Co., Ltd.
 ATEN and the ATEN logo are trademarks of ATEN International Co., Ltd.
 All rights reserved. All other trademarks are the property of their respective owners.