

VE810

HDMI/IR Cat 5 Extender (1080p@40m)



The VE810 HDMI Extender extends your HDMI display up to 60 m from your HDMI source device using two Cat 5e cables. In addition, VE810 is equipped with IR signaling pass-through which allows the IR channel to control from the remote to local unit, to control the HDMI source, or from the local to remote unit, to control the display device.

For flexibility and convenience, the VE810 setup requires only one power adapter for both units. The VE810R remote unit will function without the need of an additional power adapter because it will be powered by the VE810 local unit.



Features

- Connects the local and the remote units via Cat 5e cables
- HDMI (3D, Deep Color); HDCP compliant
- Superior video quality – up 1920 x 1080 at distance up to 40 m
- Bi-directional IR channel for IR signal control on remote unit; IR transmission is processed one direction at a time
- 8 segment equalization adjustment switch optimizes display quality
- Supports Dolby True HD and DTS HD Master Audio
- DDC compatible
- Compatible with all ATEN HDMI switches and splitters
- Non-Powered (only require one power adapter)
- Rack-mountable

Specification

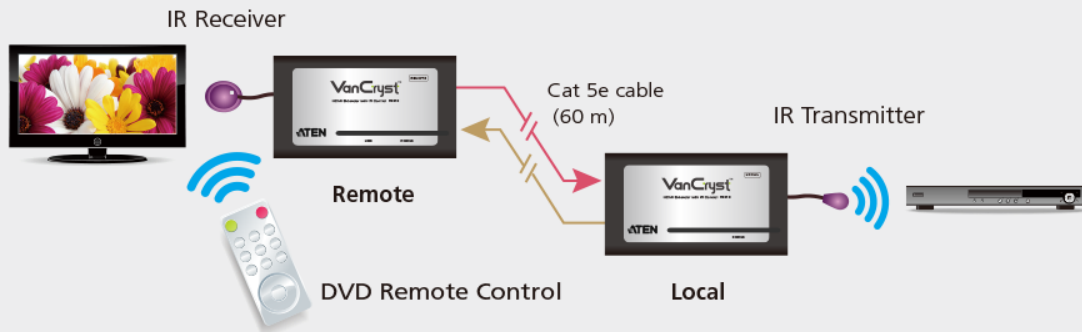
Function	VE810L	VE810R
Video Input		
Interfaces	1 x HDMI Type A Female (Black)	N/A
Impedance	100 Ω	N/A
Max. Distance	3 m	N/A
Video Output		
Interfaces	N/A	1 x HDMI Type A Female (Black)
Impedance	N/A	100 Ω
Max. Distance	N/A	3 m
Video		
Max. Data Rate	6.75 Gbps (2.25 Gbps Per Lane)	6.75 Gbps (2.25 Gbps Per Lane)
Max. Pixel Clock	225 MHz	225 MHz
Compliance	HDMI (3D, Deep Color) HDCP Compatible	HDMI (3D, Deep Color) HDCP Compatible
Max. Resolutions / Distance	Up to 1080p@40m; 1080i@60m	Up to 1080p@40m; 1080i@60m
Audio		
Input	1 x HDMI Type A Female (Black)	N/A
Output	N/A	1 x HDMI Type A Female (Black)
Control		
IR	1 x Mini Stereo Jack Female (Black)	1 x Mini Stereo Jack Female (Black)
Connectors		
Power	1 x DC Jack	1 x DC Jack
Power Consumption	DC5V:2.41W:11BTU/h Note: ● The measurement in Watts indicates the typical power consumption of the device with no external loading. ● The measurement in BTU/h indicates the power consumption of the device when it is fully loaded.	DC5V:1.06W:5BTU/h Note: ● The measurement in Watts indicates the typical power consumption of the device with no external loading. ● The measurement in BTU/h indicates the power consumption of the device when it is fully loaded.
Environmental		
Operating Temperature	0 - 50°C	0 - 50°C
Storage Temperature	-20 - 60°C	-20 - 60°C
Humidity	0 - 80% RH, Non-Condensing	0 - 80% RH, Non-Condensing
Physical Properties		
Housing	Metal	Metal
Weight	0.16 kg (0.35 lb)	0.16 kg (0.35 lb)
Dimensions (L x W x H)	9.00 x 5.74 x 2.40 cm (3.54 x 2.26 x 0.94 in.)	9.00 x 5.74 x 2.40 cm (3.54 x 2.26 x 0.94 in.)
Carton Lot	20 pcs	20 pcs
Note	For some of rack mount products, please note that the standard physical dimensions of WxDxH are expressed using a LxWxH format.	

Diagram

Connect the IR Transmitter at the local unit and IR Receiver at the Remote unit to control the HDMI Device.

Application 1

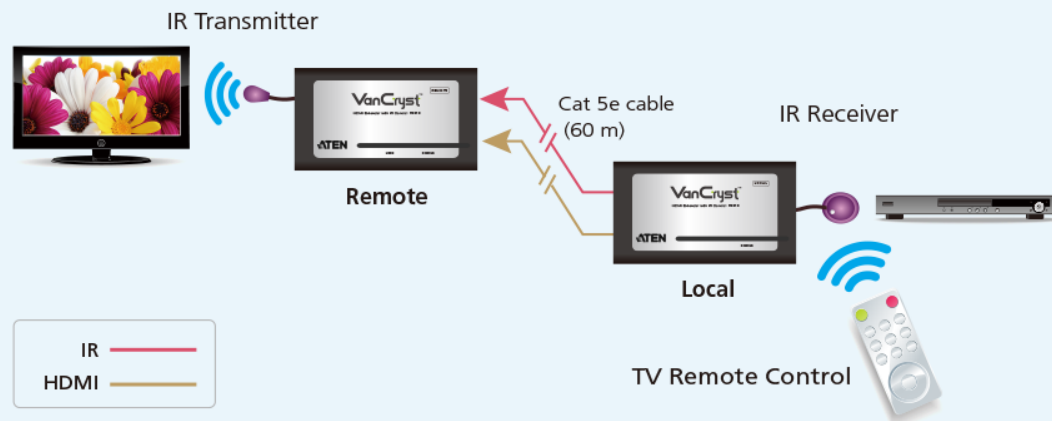
Remote Control of your HDMI Device



Connect the IR Receiver at the local unit and IR Transmitter at the Remote unit to control the HDMI Display.

Application 2

Remote Control of your HDMI Display



ATEN International Co., Ltd.

3F., No.125, Sec. 2, Datong Rd., Sijhih District., New Taipei City 221, Taiwan
 Phone: 886-2-8692-6789 Fax: 886-2-8692-6767
 www.aten.com E-mail: marketing@aten.com



© Copyright 2015 ATEN® International Co., Ltd.
 ATEN and the ATEN logo are trademarks of ATEN International Co., Ltd.
 All rights reserved. All other trademarks are the property of their respective owners.