

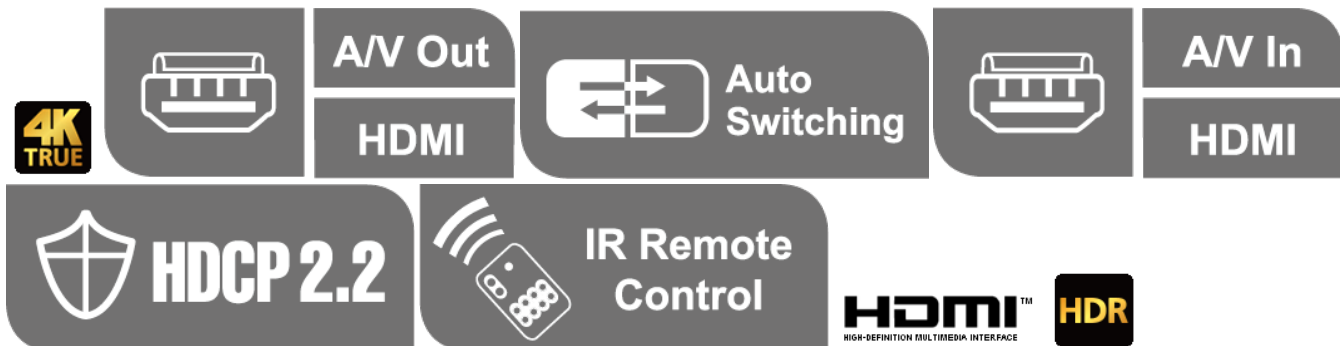
VS0801HB

8-Port True 4K HDMI Switch



The ATEN VS0801HB is designed for applications that require the routing of 8 sources to one compatible display device. It supports video resolutions up to True 4K (4096 x 2160 @ 60Hz 4:4:4), data rates up to 18 Gbps, 3D, Deep Color up to 12-bit, and HD lossless audio formats. The VS0801HB features Auto Switching modes for auto port selection. Multiple convenient control options include front panel pushbuttons, bi-directional RS-232, IR, and auto switch, allowing for easy integration.

Engineered to meet today's demand of True 4K signal transmission and user-oriented design, the ATEN VS0801HB is a powerful solution for a wide range of settings, such as home theater, meeting rooms, trade shows, and shopping centers.



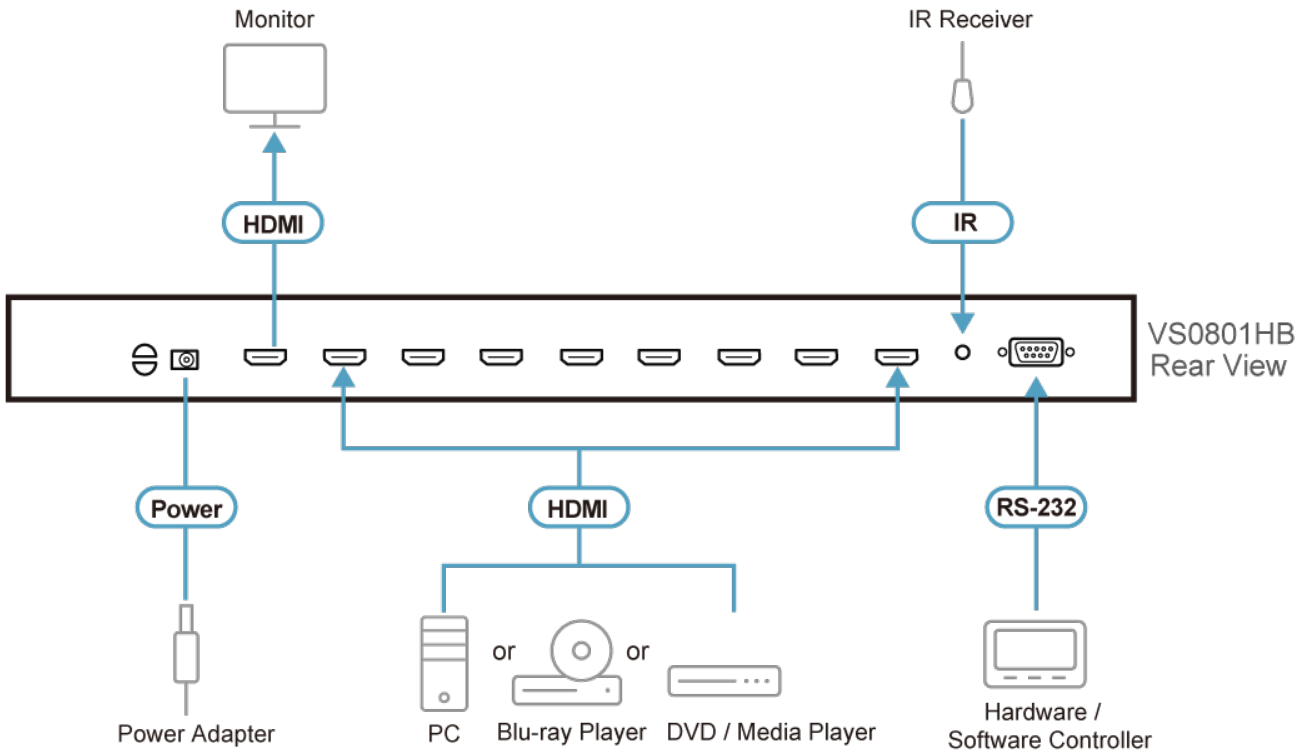
Features

- Allows up to 8 HDMI sources to be connected to one HDMI display
- HDMI (3D, Deep Color, 4K); HDCP 2.2 compliant
- Superior video quality - True 4K resolutions of 4K x 2K @ 60 Hz (4:4:4) and standard 1080p (1920 x 1080 @ 60 Hz)
- Supports HDR10⁺
- Built-in bi-directional RS-232 serial port for high-end system control
- Auto switching modes for auto port selection
- Supports IR extension
- Clear LED indication of device status
- Plug-and-play
- Rack Mountable

Specification

Switches	
DIP	1 x Auto Switch ON / OFF
Video Input	
Interfaces	8 x HDMI Type A Female (Black)
Impedance	100 Ω
Max. Distance	5M at 4096 x 2160 / 3840 x 2160 @ 60Hz (4:4:4)
Video Output	
Interfaces	1 x HDMI Type A Female (Black)
Impedance	100 Ω
Max. Distance	5M at 4096 x 2160 / 3840 x 2160 @ 60Hz (4:4:4)
Video	
Max. Data Rate	18 Gbps (6 Gbps Per Lane)
Max. Pixel Clock	600 MHz
Compliance	HDMI 2.0 (3D, Deep Color) HDCP 2.2 Consumer Electronics Control (CEC)
Max. Resolution	Up to 4096 x 2160 / 3840 x 2160 @ 60Hz (4:4:4)
Max. Distance	5M at 4096 x 2160 / 3840 x 2160 @ 60Hz (4:4:4)
Control	
RS-232	Connector: 1 x DB-9 Female (Black) Baud Rate: 19200, Data Bits: 8, Stop Bits:1, Parity: No, Flow Control: No
IR	1 x Mini Stereo Jack Female (Black)
Connectors	
Power	1 x DC Jack (with locking)
Power Consumption	DC5.3V:3.73W:17BTU/h Note: ● The measurement in Watts indicates the typical power consumption of the device with no external loading. ● The measurement in BTU/h indicates the power consumption of the device when it is fully loaded.
Environmental	
Operating Temperature	0 - 40°C
Storage Temperature	-20 - 60°C
Humidity	0 - 80% RH, Non-Condensing
Physical Properties	
Housing	Metal
Weight	2.14 kg (4.71 lb)
Dimensions (L x W x H)	43.72 x 15.83 x 4.40 cm (17.21 x 6.23 x 1.73 in.)
Carton Lot	3 pcs
Note	For some of rack mount products, please note that the standard physical dimensions of WxDxH are expressed using a LxWxH format.

Diagram



ATEN International Co., Ltd.

3F., No.125, Sec. 2, Datong Rd., Sijhih District., New Taipei City 221, Taiwan
 Phone: 886-2-8692-6789 Fax: 886-2-8692-6767
 www.aten.com E-mail: marketing@aten.com



© Copyright 2015 ATEN® International Co., Ltd.
 ATEN and the ATEN logo are trademarks of ATEN International Co., Ltd.
 All rights reserved. All other trademarks are the property of their respective owners.