

PE8324

30A/32A 24-Outlet Outlet-Metered & Switched eco PDU

PE8324A



The PE8324 eco PDUs are intelligent PDUs that contain 24 AC outlets and are available in various IEC / NEMA socket configurations. These models feature proactive overload protection to automatically power off the last outlet that causes the current overload while allowing users to set shutdown priority.

The eco PDUs provide secure, centralized and intelligent power management (power on, off, and cycle) of [data center](#) IT equipment (servers, storage systems, KVM switches, network devices, serial data devices, and more), as well as the ability to monitor the center's health environment via sensors.* These PDUs offer remote power control combined with real-time power measurement, allowing users to control and monitor the power status of devices attached to the PDUs, either at the PDU device, bank, or outlet level, depending on the model, from practically any location via a TCP / IP connection.

The power status of each outlet can be set individually, allowing users to switch each device on / off. The eco PDU also offers comprehensive power analysis reports which can separate departments and locations, providing precise measurements of current, voltage, power and watt-hour in a real-time display. Installation and operation are made fast and easy by simply plugging cables into their appropriate ports, and users get to enjoy the intuitive browser-based configuration and management. The eco PDU firmware is upgradeable over the Net, meaning users can download updates from ATEN's website to ensure that their eco PDU is equipped with the latest functionalities and improvements.

The series also supports the 3rd party V3 SNMP manager software and NRGence [eco DC](#) (Energy & DCIM Management Web GUI). The [eco DC](#) makes it easy when it comes to the management for multiple devices by allowing users to configure [eco PDU](#) setting and monitor the power status of the equipment connected to the PDU through a user friendly interface. Along with its set of features, the PE8324 series has become a convenient, reliable and cost-effective solution to help remotely manage power access for multiple computer installations and allocate power resources with efficiency.

- * Note:
1. Sensors are optional accessories. A sensor-enabled installation is required to generate more complete energy-efficient data and charts. The higher the sensor installation density is, the more accurate the data generated will be.
 2. [eco PDUs](#) are primarily designed for access via Intranet; extra network security protection is suggested for Internet access usage.
 3. Designed for use with IT equipment in [data center](#) or controlled IT environments.
 4. Not recommended for use with inductive loads or motor-driven equipment.

Features

• Connections

- Supports 10 / 100M bit Ethernet interface
- Supports TCP / IP, UDP, HTTP, HTTPS, SSL,SMTP, DHCP, ARP, NTP, DNS, Telnet, Auto Sense, Ping, SNMP V1,V2 and V3
- Supports three-level account / password security, IP / MAC filter, 128 bit SSL, and RADIUS
- Supports [CC2000](#), [eco DC](#), multiple browsers (IE, Firefox, Chrome, and Safari)

• Metering

- PDU and outlet level power metering and monitoring
- Environment monitoring – supports external temperature / temperature and humidity sensors for rack temperature and humidity monitoring
- Current, voltage, power, power dissipation, temperature, and humidity metering and threshold level setting
- Supports door sensor

• Outlet Switch Control

- Remote power outlet control (On/Off, Power Cycle) by individual outlets and outlet groups
- Outlet group support at the PDU level
- On / Off scheduling for individual outlet and outlet groups. Power management tasks can be scheduled on a daily, weekly, or user-specified time basis
- Supports multiple power control methods – Wake on LAN, System After AC Back, Kill the Power
- Power-On sequencing – users can set the power-on sequence and delay time for each outlet to allow equipment to be powered on in the correct order
- Proactive overload protection (POP) – automatically powers off the last outlet that causes the current overload while allowing users to set shutdown priority

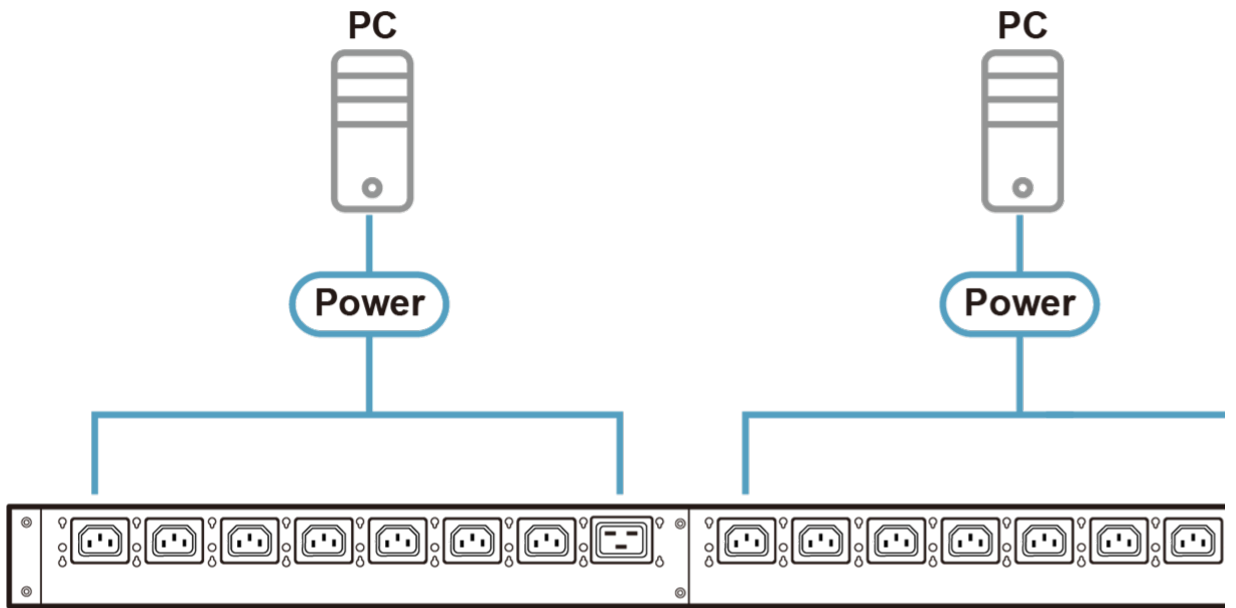
• Features available only on firmware-upgraded models with -AT part number

- Supports SMTPS, IPv6, Modbus (Over TCP/IP), Auto Ping, TLS1.2, SSH
- Supports IEEE 802.1X
- Authentication: LDAP, TACACS+
- UI – heartbeat, schedule control, mail control, and setting rule

Specifications

Function	PE8324B	PE8324G	PE8324G2	PE8324G3
Electrical				
Nominal Input Voltage	100 – 240 VAC	100 – 240 VAC	100 – 240 VAC	100 – 240 VAC
Maximum Input Current	30A Max; 24A (UL de-rated)	30A Max	30A Max	30A Max
Input Frequency	50-60 Hz	50-60 Hz	50-60 Hz	50-60 Hz
Input Connection	NEMA L6-30P	IEC 60309 32A	IEC 60309 32A	IEC 60309 32A
Input Power	6240 VA(Max); 4992 VA(UL de-rated)	7360 VA(Max)	7360 VA(Max)	7360 VA(Max)
Outlet Type	Total: 21 x IEC320 C13 + 3 x IEC320 C19 Bank1-1: Outlet 1 – 8; 7 x C13 + 1 x C19 Bank1-2: Outlet 9 – 16; 7 x C13 + 1 x C19 Bank2: Outlet 17 – 24; 7 x C13 + 1 x C19	Total: 21 x IEC320 C13 + 3 x IEC320 C19 Bank1-1: Outlet 1 – 8; 7 x C13 + 1 x C19 Bank1-2: Outlet 9 – 16; 7 x C13 + 1 x C19 Bank2: Outlet 17 – 24; 7 x C13 + 1 x C19	Total: 6 x IEC320 C13 + 18 x IEC320 C19 Bank1-1: Outlet 1 – 8; 2 x C13 + 6 x C19 Bank1-2: Outlet 9 – 16; 2 x C13 + 6 x C19 Bank2: Outlet 17 – 24; 2 x C13 + 6 x C19	Total: 18 x IEC320 C13 + 6 x IEC320 C19 Bank1-1: Outlet 1 – 8; 6 x C13 + 2 x C19 Bank1-2: Outlet 9 – 16; 6 x C13 + 2 x C19 Bank2: Outlet 17 – 24; 6 x C13 + 2 x C19
Nominal Output Voltage	100 – 240 VAC	100 – 240 VAC	100 – 240 VAC	100 – 240 VAC
Maximum Output Current (Outlet)	C13: 15A(Max); 12A(UL de-rated) C19: 20A(Max); 16A(UL de-rated)	C13: 10A(Max) C19: 16A(Max)	C13: 10A(Max) C19: 16A(Max)	C13: 10A(Max) C19: 16A(Max)
Maximum Output Current (Bank)	20A(Max); 16A(UL de-rated)	16A(Max)	16A(Max)	16A(Max)
Maximum Output Current (Total)	30A(Max); 24A(UL de-rated)	32A(Max)	32A(Max)	32A(Max)
Breakers	2 x 16A UL489 Breaker	2 x 16A UL489 Breaker	2 x 16A UL489 Breaker	2 x 16A UL489 Breaker
Metering	Outlet Level Current, Voltage, VA, PF, KWh Monitoring	Outlet Level Current, Voltage, VA, PF, KWh Monitoring	Outlet Level Current, Voltage, VA, PF, KWh Monitoring	Outlet Level Current, Voltage, VA, PF, KWh Monitoring
Outlet Switching	Yes	Yes	Yes	Yes
Environment Sensor Ports	4	4	4	4
Physical Properties				
Dimensions (L x W x H)	177.50 x 6.60 x 4.40 cm (69.88 x 2.6 x 1.73 in.)	177.50 x 6.60 x 4.40 cm (69.88 x 2.6 x 1.73 in.)	177.50 x 6.60 x 4.40 cm (69.88 x 2.6 x 1.73 in.)	177.50 x 6.60 x 4.40 cm (69.88 x 2.6 x 1.73 in.)
Weight	6.33 kg (13.94 lb)	6.33 kg (13.94 lb)	6.33 kg (13.94 lb)	6.33 kg (13.94 lb)
Power Cord Length	1.6 m	1.6 m	1.6 m	1.6 m
Environmental				
Temperature (Operating / Storage)	0 – 40°C / -20 – 60°C	0 – 40°C / -20 – 60°C	0 – 40°C / -20 – 60°C	0 – 40°C / -20 – 60°C
Humidity (Operating & Storage)	0 – 80% RH, Non-Condensing	0 – 80% RH, Non-Condensing	0 – 80% RH, Non-Condensing	0 – 80% RH, Non-Condensing
Compliance				
EMC Verification	FCC Part 15 Class A, Others by Request	CE, Others by Request	CE, Others by Request	CE, Others by Request
Safety Verification	By Request	CE-LVD, Others by Request	CE-LVD, Others by Request	CE-LVD, Others by Request
Note	For some of rack mount products, please note that the standard physical dimensions of WxDxH are expressed using a LxWxH format.			

Diagram



**Remote Mon
and Manage**



Simply Better Connections

ATEN International Co., Ltd.

3F., No.125, Sec. 2, Datong Rd., Sijhih District., New Taipei City 221, Taiwan
Phone: 886-2-8692-6789 Fax: 886-2-8692-6767
www.aten.com E-mail: marketing@aten.com



© Copyright 2015 ATEN® International Co., Ltd.
ATEN and the ATEN logo are trademarks of ATEN International Co., Ltd.
All rights reserved. All other trademarks are the property of their
respective owners.