

CS62US

2-Port USB VGA/Audio Cable KVM Switch (0.9m)



ATEN provides total USB KVM solution. CS62US links two USB computers to one USB console for a complete USB system compatible with all operating platforms, including Windows, Mac, Linux and Sun.

Features

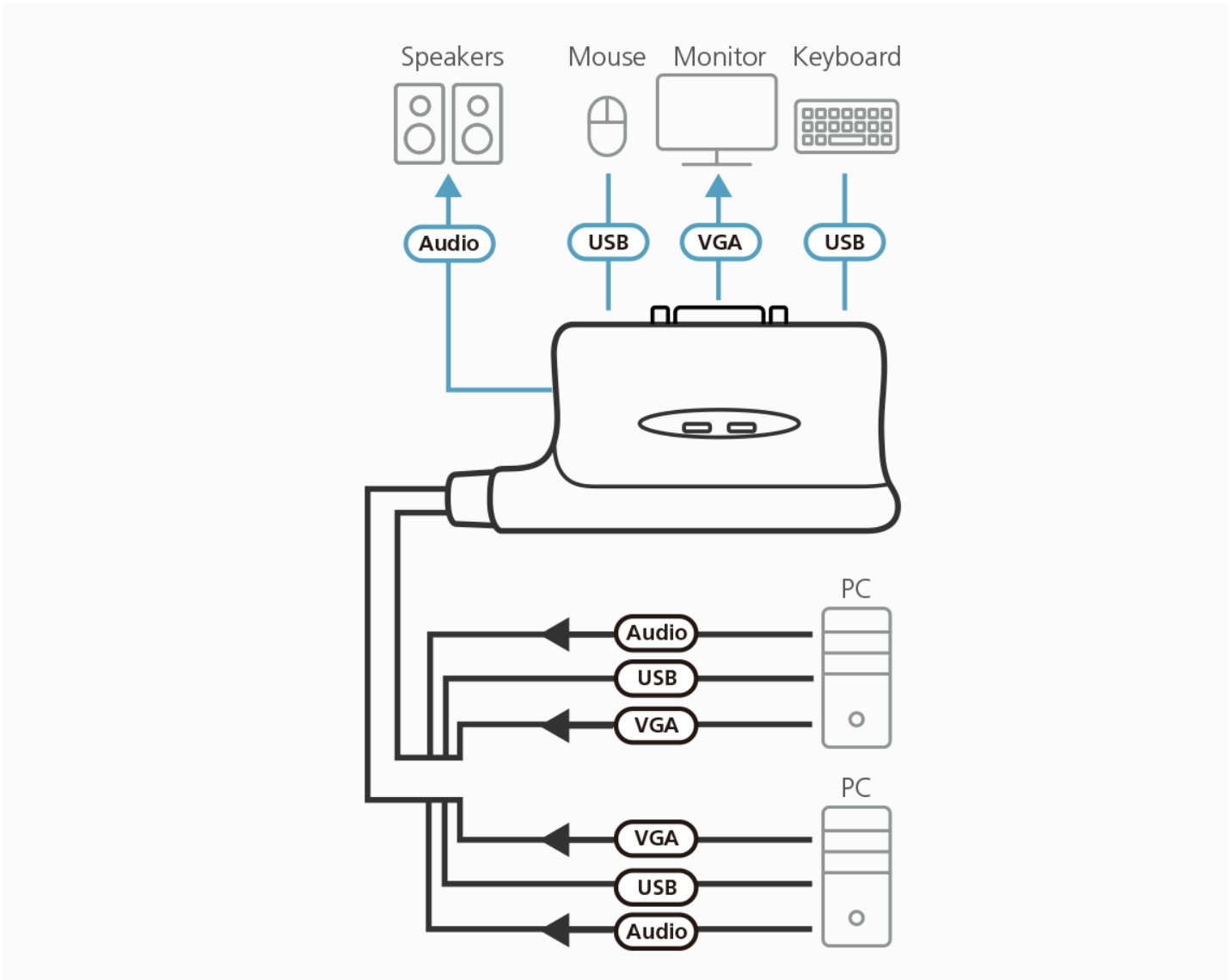
- One USB console controls two USB computers
- Compact design, built-in 0.9 m cables
- Hotkey selection for OS and keyboard language
- Computer Selection via hotkey and USB mouse
- Multiplatform support - Windows, Linux, Mac, and Sun
- Video DynaSync™ - exclusive ATEN technology eliminates boot-up display problems and optimizes resolution when switching between ports
- Console mouse port emulation / bypass feature supports most mouse drivers
- USB mouse port can be used for USB hub and USB peripheral sharing*
- Supports gaming keyboards
- Supports multifunction and wireless keyboards and mice
- All-in-one design
- Supports speaker functions
- Superior video quality – up to 2048 x 1536 @ 60 Hz ; DDC2B
- Auto Scan function to monitor computer operation
- Bus-powered
- Sun/Mac keyboard support and emulation

* To use the USB mouse port as a USB hub, users must first disable mouse emulation mode.

Specifications

Computer Connections	2
Port Selection	Hotkey, Mouse
Connectors	
Console Ports	1 x HDB-15 Female (Blue) 2 x USB Type A Female 1 x 3.5mm Audio Jack Female (Green)
KVM Ports	2 x HDB-15 Male (Blue) 2 x USB Type A Male (Black) 2 x 3.5mm Audio Jack Male (Green)
LEDs	
Selected	2 (Green)
Cable Length	
Computer	2 x 0.9 m
Emulation	
Keyboard / Mouse	USB
Video	2048 x 1536, DDC2B
Scan Interval	5 seconds
Power Consumption	DC5V:0.33W:14BTU/h Note: ● The measurement in Watts indicates the typical power consumption of the device with no external loading. ● The measurement in BTU/h indicates the power consumption of the device when it is fully loaded.
Environmental	
Operating Temperature	0 - 50°C
Storage Temperature	-20 - 60°C
Humidity	0-80% RH, Non-condensing
Physical Properties	
Housing	Plastic
Weight	0.28 kg (0.62 lb)
Dimensions (L x W x H)	8.75 x 6.08 x 2.80 cm (3.44 x 2.39 x 1.1 in.)
Note	For some of rack mount products, please note that the standard physical dimensions of WxDxH are expressed using a LxWxH format.

Diagram



ATEN International Co., Ltd.

3F, No.125, Sec. 2, Datong Rd., Sijhih District., New Taipei City 221, Taiwan
Phone: 886-2-8692-6789 Fax: 886-2-8692-6767
www.aten.com E-mail: marketing@aten.com



© Copyright 2015 ATEN® International Co., Ltd.
ATEN and the ATEN logo are trademarks of ATEN International Co., Ltd.
All rights reserved. All other trademarks are the property of their respective owners.