

KA7188

USB HDMI Virtual Media KVM Adapter (Support Smart Card Reader and Audio De-Embedder)



The KA7188 KVM Adapter connects a KVM switch to the HDMI video and USB ports of a target computer. ¹ The KA7188 supports HDMI output and provides two USB plugs to connect a target computer for keyboard / mouse, [Virtual Media](#), or Smart Card / CAC Reader functions. ²

The KA7188 supports Audio De-Embedder, which extracts the audio from an HDMI signal. ³ More advanced features of KA7188 include the small size and lightweight design, as well as superior signal compensation and delay skew technologies for greatly enhanced video quality.

Note:

1. Both USB connectors must be plugged into USB ports on the target computer for the KA7188 to receive sufficient power.
2. Please refer to the webpage of [KVM Adapter Compatibility List](#) for information about compatible KVM Switches.
3. The HDMI audio signals separated by the KA7188's Audio De-Embedder are output through the KVM switches.



Features

- Connects a KVM switch to the HDMI video and USB ports of a target computer
- Supports Audio De-Embedder
- Auto Signal Compensation (ASC), no DIP switch setting needed for different distances
- Keyboard and mouse emulation – keeps your server functioning smoothly when it's disconnected from the switch's KVM port or is relocated to a different KVM port
- Virtual Media Support
- Smart Card / CAC Reader Support
- Superior video quality – supports resolution up to 1920 x 1200 (Reduced blanking)*
- Built in ASIC for greater reliability and compatibility
- Compact size
- Firmware upgradeable

Note:

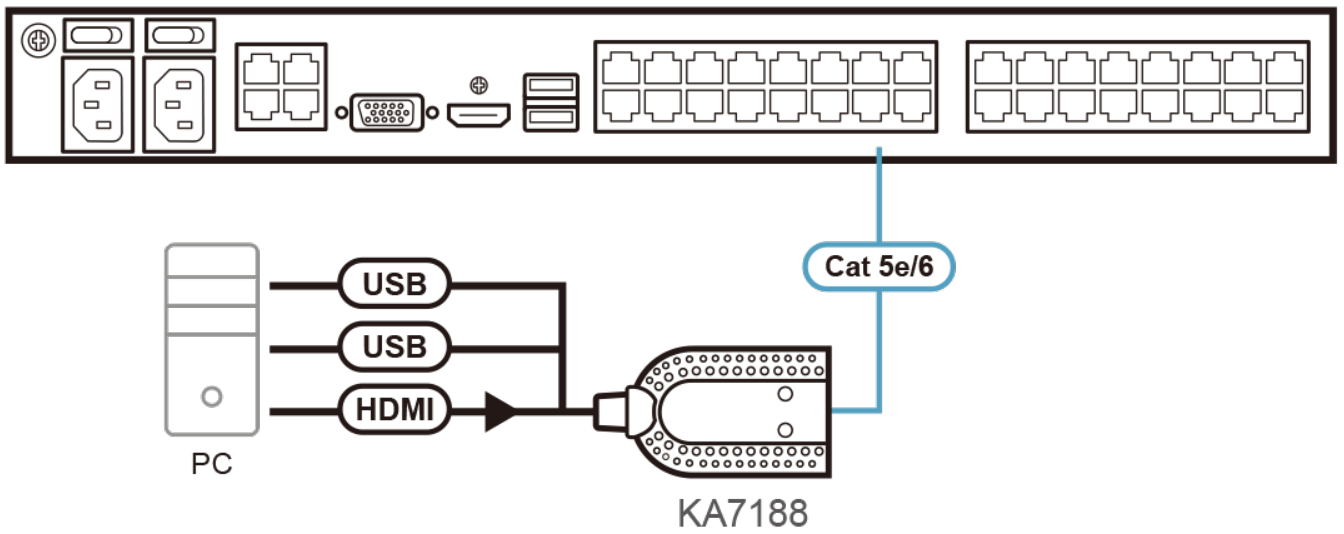
This maximum resolution may vary depending on the transmission distance. For more details, please refer to the product pages of the connected KVM switches. Both the video and audio signals might interfere while using an unshielded cable, and long-distance transmission can cause more serious interference. Generally, the interference happens when the transmission distance is over 40 meters.

Specifications

Connectors	
Link	1 x RJ-45 Female
Computer	2 x USB Type A Male 1 x HDMI Male
LEDs	
Link	1 (Green)
Power	1 (Orange)
Environmental	
Operating Temperature	0-50°C
Storage Temperature	-20-60°C
Physical Properties	
Housing	Plastic
Weight	0.11 kg (0.24 lb)
Dimensions (L x W x H)	9.10 x 5.60 x 2.14 cm (3.58 x 2.2 x 0.84 in.)
Note	For some of rack mount products, please note that the standard physical dimensions of WxDxH are expressed using a LxWxH format.

Diagram

KN8032VB Rear View



ATEN International Co., Ltd.

3F., No.125, Sec. 2, Datong Rd., Sijhih District., New Taipei City 221, Taiwan
Phone: 886-2-8692-6789 Fax: 886-2-8692-6767
www.aten.com E-mail: marketing@aten.com



© Copyright 2015 ATEN® International Co., Ltd.
ATEN and the ATEN logo are trademarks of ATEN International Co., Ltd.
All rights reserved. All other trademarks are the property of their respective owners.