

CN8000A

1-Local/Remote Shared Access
Single Port VGA KVM over IP Switch



The new generation ATEN CN8000A features superior video quality with HD resolutions up to 1920 x 1200 @ 60 Hz, LUC (Laptop USB Console) for easier KVM access, user-friendly local console OSD and [virtual media](#) function without additional cable.

[ENQUIRE A TEST NOW!](#)

The CN8000A Single Port KVM over IP provides access control through "over-IP" for conventional KVM switches that do not have built in over-IP functionality. It allows system operators to monitor and access computers from remote locations using standard Web browsers or Windows and Java based application programs. The CN8000A connects to the Intranet either LAN or WAN simply by using an industry standard Cat 5e/6 cable, and is connected to a local KVM switch or server via a custom [KVM cable](#).

The ATEN CN8000A uses the standard TCP / IP protocols for communications, it allows the connected server or KVM switch to be accessed from any computer over the internet – whether that computer is located down the hall, in other areas of the country or branch offices in other parts of the world.

The CN8000A expands on previous models by providing a dedicated RS-232 port for modem access or serial console management, a PON port to connect a ATEN [PDU](#) device and USB 2.0 [virtual media](#) capability.

A [Windows Client](#) and a [Java Client](#) are available for [remote access](#). They allow IP connection and login from anywhere over the internet. In addition, ATEN also provides an iOS APP - [iPadClient](#), whose intuitive interface makes it easy to connect to the KVM over IP switch and control computers direct from your iPad. Please visit the [PadClient webpage](#) for more information.

To meet advanced security requirements, the CN8000A's [Virtual Media](#) function allows a Smart Card / CAC reader on a user's local system to be mapped to a remote server. The CN8000A provides a fast, reliable and a cost effective way to remotely access and manage widely distributed multiple computer installations.

Features

Hardware

- Provides over-IP capability to KVM switches that do not have built in over-IP functionality
- Local console provides PS/2, and USB keyboard and mouse support
- Supports multi-platform server environments: Windows, Mac, Sun, Linux and VT100 based serial devices
- Virtual Media Support
- High video resolution – up to 1920 x 1200 @ 60 Hz- 24 bit color depth for the local console; up to 1920 x 1200 @ 60 Hz with 24 bit color depth for remote sessions
- Enhanced fps (frames per second) throughput for crisp responsive video display

Management

- Laptop USB Console (LUC) – A dedicated USB port directly connects to laptop for easy console operation
- Easy configuration through local console OSD
- Up to 64 user accounts
- Up to 32 users concurrent logins
- End session feature – administrators can terminate running sessions
- Event logging and Windows-based Log Server support
- Supports instant notification of critical system events via email, SNMP trap, and Syslog
- Remote Firmware upgradable
- Serial console management – serial terminal access. Access the CN8000A via a built-in serial viewer, or via third party software (such as PuTTY) for Telnet and SSH sessions
- PPP mode (modem) dial-in / dial back / dial out support for out-of-band, and low bandwidth operation
- Port Share Mode allows multiple users to gain access to a server simultaneously
- Local / Remote Share Mode to conveniently grant shared or exclusive console privilege
- Integration with ATEN [CC2000](#) Centralized Management Software
- Integration with ATEN [CCVSR](#) Video Session Recording Software
- Power Over the NET integration for [remote power control](#)
- DDNS (Dynamic Domain Name System)
- Export / import user account and configuration settings
- Enable / disable browser operation
- IPv6 capable

Easy-to-Use Interface

- Browser-based and AP GUIs offer a unified multi-language interface to minimize user training time and increase productivity
- Multi-platform client support (Windows, Mac OS X, Linux, Sun)
- Multi-browser supports (IE, Chrome, Firefox, Safari, Opera)
- Browser-based UI in pure Web technology allows administrators to perform administrative tasks without pre-installed Java software package required
- Full-screen or sizable and scalable Virtual Remote Desktop
- Magic Panel

Advanced Security

- Smart Card /CAC Reader Support
- External authentication support: RADIUS, LDAP, LDAPS, and MS Active Directory
- TLS 1.2 encryption to protect password when users log in
- Flexible design allows users to choose any combination of encryption algorithms (e.g. 256-bit AES) or system-generated random selection for independent keyboard/mouse, video, and [virtual media](#) data encryption
- Support for IP/MAC Filter
- Supports password protection
- Private CA

Virtual Media

- Virtual media enables file applications, OS patching, software installation and diagnostic testing
- Works with USB enabled servers in operating system and BIOS level
- Supports USB 2.0 DVD/CD drives, USB mass storage devices, PC hard drives and ISO images
- Convenient to use without [virtual media](#) cable

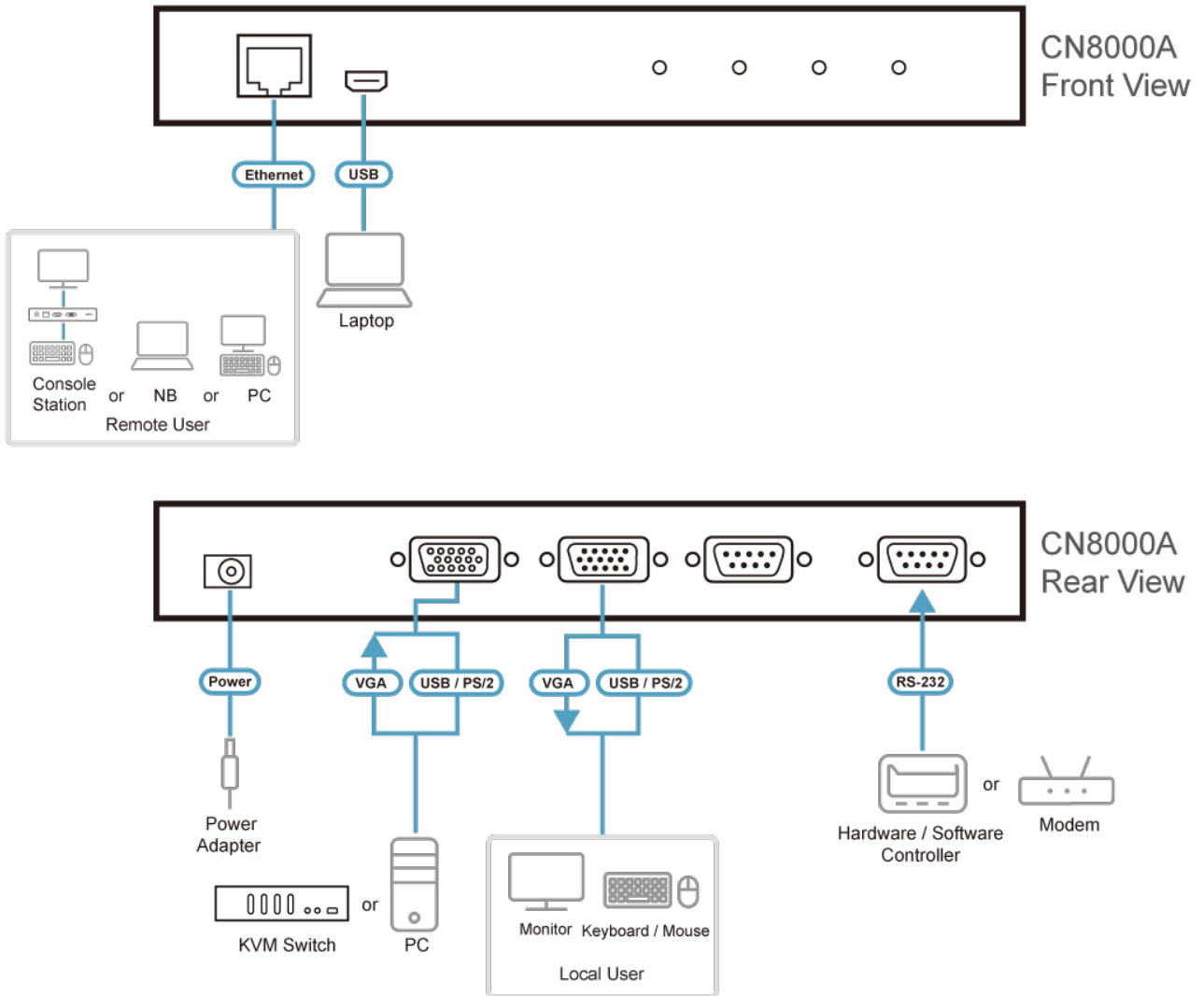
Virtual Remote Desktop

- Video quality and video tolerance can be adjusted to optimize data transfer speed; monochrome color depth setting, threshold and noise settings for compression of the data bandwidth in low bandwidth situations
- Full screen video display or scalable video display
- Message Board for communication among remote users
- On-screen keyboard with multilanguage support
- Mouse Dynasync
- Exit Macros support
- BIOS-level access

Specifications

Connectors	
Console Ports	1 x SPHD Male (Yellow)
KVM (Computer) Ports	1 x SPHD Female (Yellow)
Laptop USB Console (LUC) Port	1 x USB Mini-B Female
PON	1 x DB-9 Male
RS-232	1 x DB-9 Male
LAN Ports	1 x RJ-45 Female
Power	1 x DC Jack
Switches	
Reset	1 x Semi-recessed Pushbutton
LEDs	
Power	1 (Orange)
Link	1 (Green)
10/100/1000 Mbps	1 (Orange / Orange+Green /Green)
Emulation	
Keyboard / Mouse	USB; PS/2
Video	Up to 1920 x 1200 @ 60 Hz; DDC2B
Power Consumption	DC5.3V:4.79W:31BTU/h Note: ● The measurement in Watts indicates the typical power consumption of the device with no external loading. ● The measurement in BTU/h indicates the power consumption of the device when it is fully loaded.
Environmental	
Operating Temperature	0 - 50°C (CN8000A) 0 - 40°C (Power Adapter)
Storage Temperature	-20 - 60°C
Humidity	0 - 80% RH, Non-condensing
Physical Properties	
Housing	Metal
Weight	0.49 kg (1.08 lb)
Dimensions (L x W x H)	20.00 x 8.14 x 2.50 cm (7.87 x 3.2 x 0.98 in.)
Note	For some of rack mount products, please note that the standard physical dimensions of WxDxH are expressed using a LxWxH format.

Diagram



ATEN International Co., Ltd.

3F., No.125, Sec. 2, Datong Rd., Sijhih District., New Taipei City 221, Taiwan
 Phone: 886-2-8692-6789 Fax: 886-2-8692-6767
 www.aten.com E-mail: marketing@aten.com



© Copyright 2015 ATEN® International Co., Ltd.
 ATEN and the ATEN logo are trademarks of ATEN International Co., Ltd.
 All rights reserved. All other trademarks are the property of their respective owners.