

KH1516Ai

1-Local/Remote Shared Access 16-Port Multi-Interface Cat 5 KVM over IP Switch



The KH1516Ai Cat 5 High-Density KVM over IP Switch offers 16 computer port configurations in a 1U-high housing for convenient rack mounting. They allow local and remote operators to monitor and access the entire enterprise [data center](#) over the Internet using a web-based browser.

[ENQUIRE A TEST NOW!](#)

The KH1516Ai features RJ-45 connectors and Cat 5e/6 cable to link to the computers and supports multiplatform. This ensures that high quality signals can travel over long distance - up to 50m without the need for [KVM extenders](#). Utilizing KVM adapter for the final linkup, the KH1516Ai permits any combination of PC, Mac, Sun computers, and serial devices to coexist on the installation.

In addition to TCP/IP connectivity, the KH1516Ai provides console ports for a locally attached USB or PS/2 console and a Laptop USB Console (LUC) – allowing access and control from the [data center](#) as well as over the net.

These switches have been designed with unique and powerful features for that enable administrators to manage their entire server room and [data center](#) devices easily and conveniently from just about anywhere in the world.

A special Message Board feature - which like an internet chat program - lets any number of remotely logged in users exchange information and communicate with each other or to cooperatively manage the installation. A [Panel Array Mode](#)™ allows monitoring of up to 16 servers at once. Other features that contribute to the switches' powerful capabilities include: Mouse DynaSync™, and Adapter ID.

With ATEN KVM over IP Switches, IT administrators can manage their server rooms and [data centers](#) from practically anywhere - minimizing travel costs and MTTR (Mean Time to Repair) – and ensuring the highest availability of [data center](#) services possible.

Note:

1. The video quality of KH1516Ai has been enhanced to Full HD. To distinguish between the non-FHD and FHD versions, please refer to below link: [FHD & Non-FHD Comparison Photo](#)
2. The KH1516Ai does not support [virtual media](#) even when paired with a [virtual media](#)-enabled KVM adapter.

Features

- **Hardware**
- High port density – RJ-45 connectors for up to 16 ports in a 1U housing
- **A dedicated USB port directly connects to a laptop for easy Console operation**
- **One bus for remote KVM over IP access**
- Supports PS/2, USB, Sun Legacy (13W3) and serial (RS-232) connectivity
- Local console provides PS/2 and USB keyboard and mouse support
- Multiplatform support - Windows, Mac, Sun and Linux
- Superior Video Quality – supports input video resolutions up to 1920 x 1200 @ 60 Hz* up to 30 meters, 1600 x 1200 @ 60 Hz up to 40 meters, and 1280 x 1024 @ 75 Hz up to 50 meters
- Daisy-chain up to 15 additional units – control up to 256 computers from a single console

Note: With KVM Adapter KA71xx or KA75xx series

Management

- Up to 64 user accounts
- Up to 32 concurrent logins
- End session feature – administrators can terminate running sessions
- Event logging and Windows-based Log Server support
- Local Log Event
- Adapter ID – stores port information allowing administrators to relocate the servers to different ports, without having to reconfigure the adapters and switch
- **Port Shared Mode allows multiple users to gain access to a server simultaneously**
- Integration with ATEN **CC2000** Management software
- Power Over the NET™ integration for **remote power control**
- Firmware upgradeable
- IPv6 capable

Easy-to-Use Interface

- **Local console, browser, and AP GUIs offer a unified Multilanguage interface to minimize user training time and increase productivity**
- Multiplatform client support (Windows, Mac OS X, Linux, Sun)
- Multi-browser support (IE, Firefox, Safari, Opera, Netscape)
- Browser-based UI in Web technology allows administrators to perform administrative tasks without the need for Java to be pre-installed
- **Panel Array Mode™**
- Keyboard broadcast – keyboard input can be duplicated on all the attached servers

Advanced Security

- **Remote authentication support: RADIUS, LDAP, LDAPS, and MS Active Directory**
- Supports TLS 1.2 data encryption and RSA 2048-bit certificates to secure users log in from browser
- Flexible encryption design allows users to choose any combination of DES, 3DES, AES, RC4, or Random for independent KB/Mouse and video data encryption
- IP/MAC Filter for enhanced security protection
- Configurable user and group permissions for server access and control

Virtual Remote Desktop

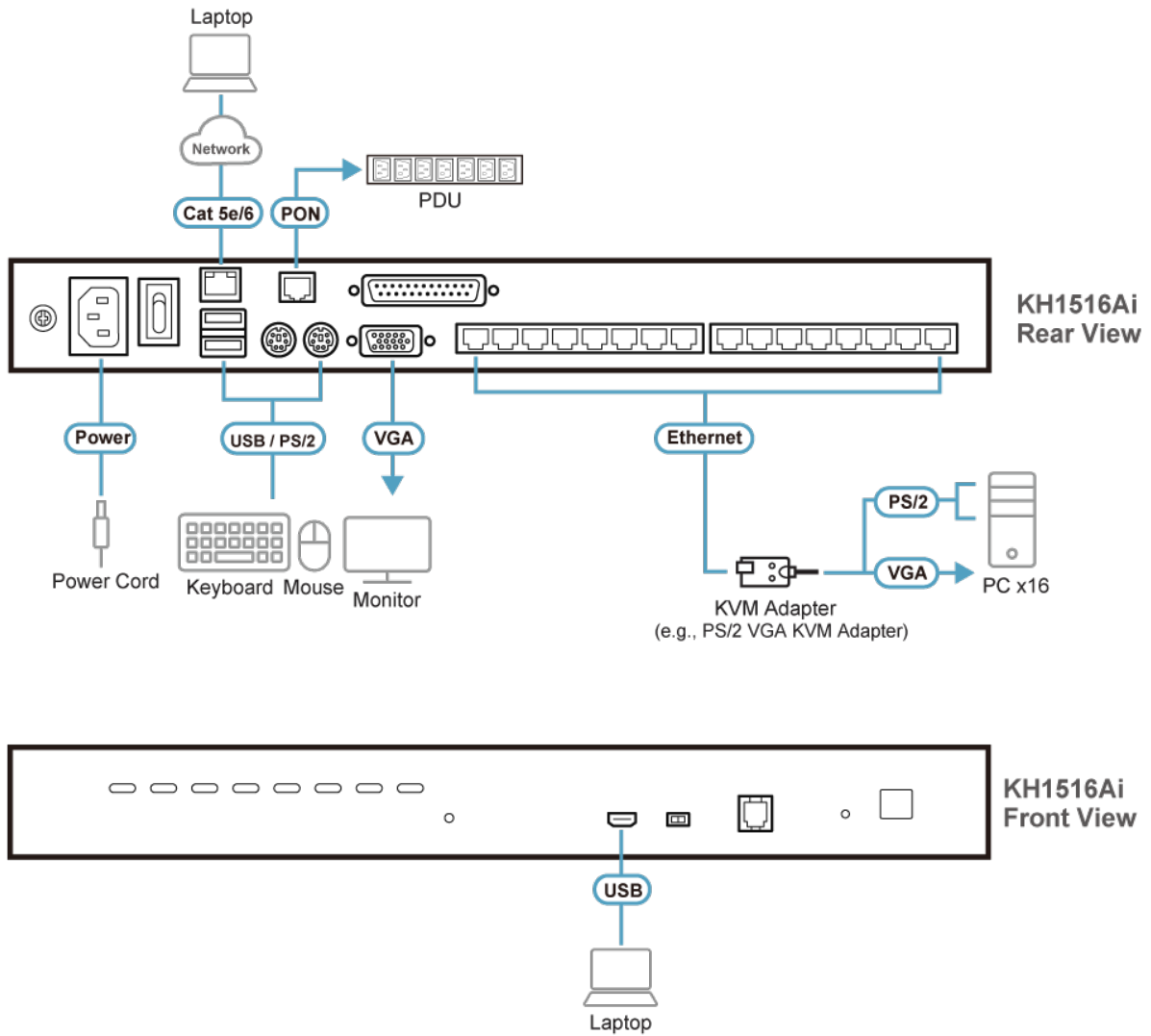
- Video quality and video tolerance can be adjusted to optimize data transfer speed; monochrome color depth setting, threshold and noise settings for compression of the data bandwidth in low bandwidth situations
- Full screen or scalable video display
- Message Board for communication among remote users
- **Mouse DynaSync™ - automatically synchronizes the local and remote mouse movements**
- On-screen keyboard with multilanguage support
- Exit Macros support
- BIOS-level access

Specifications

| | |
|-------------------------------|--|
| Computer Connections | |
| Direct | 16 |
| Maximum | 256 (via Daisy-chain) |
| Port Selection | OSD, Hotkey, Pushbutton |
| Connectors | |
| Console Ports | 2 x USB Type-A Female (White) 1 x 6-pin Mini-DIN Female (Purple) 1 x 6-pin Mini-DIN Female (Green) 1 x HDB-15 Female (Blue) |
| KVM Ports | 16 x RJ-45 Female |
| Daisy Chain Ports | 1 x DB-25 Male |
| Power | 1 x IEC 60320/C14 |
| LAN Ports | 1 x RJ-45 Female |
| Firmware Upgrade | 1 x RJ-11 Female |
| PON | 1 X RJ-45 Female |
| Laptop USB Console (LUC) Port | 1 x USB Mini-B Female |
| Switches | |
| Reset | 1 x Semi-recessed Pushbutton |

| | |
|----------------------------|--|
| Power | 1 x Rocker |
| Port Selection | 16 x Pushbutton |
| LEDs | |
| Online | 16 (Green) |
| Selected | 16 (Orange) |
| Power | 1 (Blue) |
| Station ID | 1 x 2-digit 7-segment (Orange) |
| Link | 1 (Orange) |
| 10/100/1000 Mbps | non-FHD:10/100 Mbps (Orange / Green) FHD:100/1000 Mbps (Orange / Green) |
| Emulation | |
| Keyboard / Mouse | PS/2; USB |
| Video | |
| Local | 1600 x 1200 @ 60Hz (non-FHD version) 1920 x 1200 @ 60Hz (FHD version) |
| Remote | 1600 x 1200 @ 60Hz(non-FHD version) 1920 x 1200 @ 60Hz(FHD version) |
| Scan Interval | 1–255 secs |
| Maximum Input Power Rating | 100–240 VAC; 50/60 Hz; 1A |
| Power Consumption | AC110V:8.9W:50BTU/h AC220V:8.9W:50BTU/h Note: ● The measurement in Watts indicates the typical power consumption of the device with no external loading. ● The measurement in BTU/h indicates the power consumption of the device when it is fully loaded. |
| Environmental | |
| Operating Temperature | 0 - 40°C |
| Storage Temperature | -20 - 60°C |
| Humidity | 0–80% RH; Non-condensing |
| Physical Properties | |
| Housing | Metal |
| Weight | 2.70 kg (5.95 lb) |
| Dimensions (L x W x H) | 43.72 x 16.36 x 4.40 cm (17.21 x 6.44 x 1.73 in.) |
| Note | For some of rack mount products, please note that the standard physical dimensions of WxDxH are expressed using a LxWxH format. |

Diagram



ATEN International Co., Ltd.

3F., No.125, Sec. 2, Datong Rd., Sijhih District., New Taipei City 221, Taiwan
 Phone: 886-2-8692-6789 Fax: 886-2-8692-6767
 www.aten.com E-mail: marketing@aten.com



© Copyright 2015 ATEN® International Co., Ltd.
 ATEN and the ATEN logo are trademarks of ATEN International Co., Ltd.
 All rights reserved. All other trademarks are the property of their respective owners.