

CL5816

16-Port PS/2-USB VGA Dual Rail LCD KVM Switch



The CL5816 Slideaway™ Dual Rail [LCD KVM Switch](#) is a control unit that allows access to multiple computers from two PS/2 or USB KVM consoles. An extra console port is provided on the rear panel to manage the [LCD KVM switch](#) from an optional external consoles.

The CL5816 19" LED-backlit LCD monitor and keyboard / touch pad modules slide independently of each other. To maximize space in your data center, the keyboard / touch pad module slides back to "hide away" when not in use, while the thin profile LCD monitor rotates back - flush against the rack - allowing convenient monitoring of computer activity. Quickly and conveniently switch computer access with station and port selection pushbutton switches located on the keyboard module. Even when the keyboard module is in the retracted position you can still switch access with the Port Up / Port Down pushbuttons located on the monitor module.

The CL5816 supports both PS/2 and USB keyboards and mice for the connected computers, and the CL5816 supports USB peripheral devices to be used with the attached computers. A single CL5816 can control up to 16 computers. As many as 31 additional compatible KVM switches can be daisy chained together, so that up to 512 computers can all be controlled from a single keyboard, monitor, and mouse console

Note: Optional rack mount kits are available. For more information, refer to Compatible Accessories below.

CL5816N: 19" LCD



Features

- Exclusive LED illumination light - designed by ATEN to illuminate the keyboard and touchpad to allow visibility in low-light conditions
- Integrated KVM console with 19" LED-backlit LCD monitor in a Dual Rail housing
- Space saving technology - up to two consoles (one bus) control up to 16 computers
- Daisy-chain up to 31 additional units*-- control up to 512 computers from two consoles (one bus)
- Dual Interface - supports computers and console with PS/2 or USB keyboards and mice
- Supports USB peripherals for computers connected to the local station
- LCD module rotates up to 120 degrees for a more comfortable viewing angle
- Console Lock - enables the console drawer to remain securely locked away in position when not in use
- Multiplatform support - Windows, Linux, Mac, and Sun
- Supports multimedia USB keyboards for PC, Mac and Sun
- Auto PS/2 and USB interface detection
- Keyboard and mouse emulation (PS/2 and USB) for smooth switching and simultaneous booting of multiple computers even when the console focus is elsewhere
- Extra console port - manage computers in the [LCD KVM switch](#) from an external console (monitor, USB keyboard, and USB mouse)
- Supports external USB mouse
- Superior video quality - supports resolutions up to 1280 x 1024 @ 75 Hz
- No software required - convenient computer selection via front panel pushbuttons, hotkeys, and multilingual on-screen display (OSD) menus
- Auto-senses station's position on daisy chained installations; no need for manual dip switch setting; front panel led indicates station's position
- Port names automatically reconfigured when station sequence is changed
- Two level password security - only authorized users can view and control computers
- LCD power button helps save energy and prolong display's life
- Supports one administrator and four user accounts with separate profiles
- Auto Scan mode enables continuous monitoring of user-selected computers
- Broadcast support - commands from the keyboard can be broadcast to all available computers on the installation
- Hot pluggable - add or remove computers without having to power down the switch
- Beeper on/off via hotkey and OSD
- Firmware upgrades to all the chained KVM switches at the same time via the daisy chain cable
- Optional rack mount kits available including easy installation options
- Keyboard Language supports English (US), English (UK), French, German, German (Swiss), Greek, Hungarian, Italian, Japanese, Korean, Russian, Spanish, Traditional Chinese and Turkish

Note: With compatible KVM Switches:[ACS1208A](#),[CS1708A](#),[CS1716A](#)

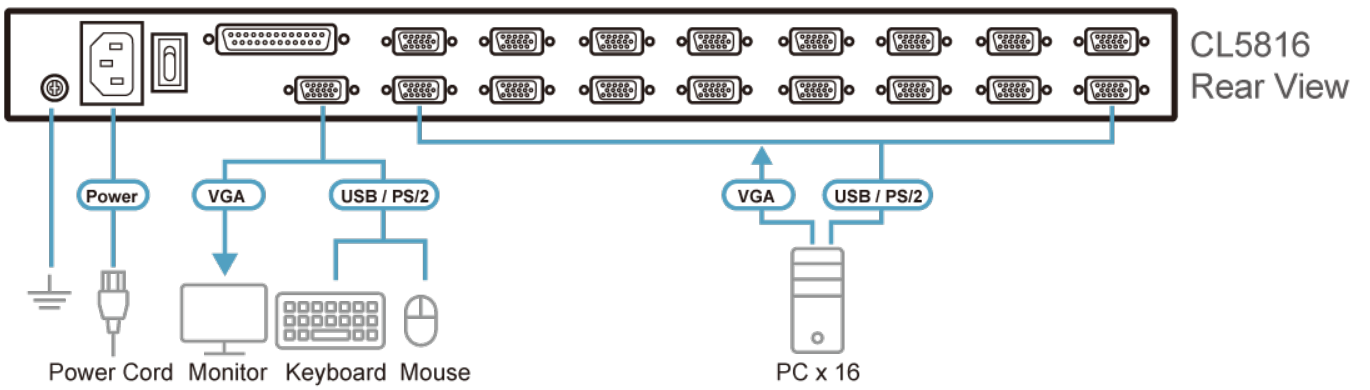
[More information about "Easy Rack Mounting"...](#)

Specifications

Function	CL5816N
Computer Connections	
Direct	16
Maximum	512 (via Daisy-chain)
Port Selection	OSD, Hotkey, Pushbutton
Connectors	
KVM Ports	16 x SPHD Female (Yellow)
Daisy Chain Ports	1 x DB-25 Male
Firmware Upgrade	1 x RJ-11 Female
Power	1 x IEC 60320/C14
External Console Ports	1 x SPHD Male (Yellow)
External Mouse Port	1 x USB Type A Female (Front)
USB Port	1 x USB Type A Female (Front)
Switches	
Port Selection	2 x Pushbutton (LCD) 16 x Pushbutton (Keyboard)
Station Selection	2 x Pushbutton
Reset	1 x Semi-recessed Pushbutton
Firmware Upgrade	1 x Slide Switch
Power	1 x Rocker Switch
LCD Control	4 x Pushbutton
LCD Power	1 x LED Pushbutton
LEDs	
Online	16 (Orange)

Selected	16 (Green)
Station ID	2 x 7-segment LED Display (Orange)
Power	1 (Dark Green)
Lock	1 x Num Lock (Green) 1 x Caps Lock (Green) 1 x Scroll Lock (Green)
LED Illumination Light	1 x LED Illumination Light
Panel Spec	
LCD Module	19" TFT-LCD
Resolution	1280 x 1024 @ 75 Hz
Response time	5 ms
Viewing Angle	170° (H), 160° (V)
Pixel Pitch	0.294 mm x 0.294 mm
Support Color	16.77M colors
Contrast Ratio	1000:1
Luminance	250 cd/m ²
Video	
Input Video Resolution	up to 1920 x 1200 @ 60 Hz; 1280 x 1024 @ 75 Hz, DDC2B
Scan Interval	1–255 seconds
Emulation	
Keyboard / Mouse	PS/2, USB
Maximum Input Power Rating	100–240V AC, 50/60Hz, 1A
Power Consumption	AC110V:26.2W:116BTU/h AC220V:27.6W:120BTU/h Note: ● The measurement in Watts indicates the typical power consumption of the device with no external loading. ● The measurement in BTU/h indicates the power consumption of the device when it is fully loaded.
Environmental	
Operating Temperature	0–50°C
Storage Temperature	-20–60°C
Humidity	0–80% RH, Non-condensing
Physical Properties	
Housing	Metal + Plastic
Rail Type	Dual Rail
Weight	14.76 kg (32.51 lb)
Dimensions (L x W x H)	48.00 x 68.04 x 4.40 cm (18.9 x 26.79 x 1.73 in.)
Note	For some of rack mount products, please note that the standard physical dimensions of WxDxH are expressed using a LxWxH format.

Diagram



ATEN International Co., Ltd.

3F., No.125, Sec. 2, Datong Rd., Sijhih District., New Taipei City 221, Taiwan
Phone: 886-2-8692-6789 Fax: 886-2-8692-6767
www.aten.com E-mail: marketing@aten.com



© Copyright 2015 ATEN® International Co., Ltd.
ATEN and the ATEN logo are trademarks of ATEN International Co., Ltd.
All rights reserved. All other trademarks are the property of their respective owners.