

CL6708MW

8-Port USB DVI Single Rail WideScreen LCD KVM Switch



The CL6708MW brings additional versatility to ATEN's line of [LCD KVM Switches](#) with its native DVI compatibility. Building on ATEN's renowned, [space-saving](#) approach to KVM switches – integrating an LCD panel, full keyboard, and touchpad into a streamlined, 1U housing – the CL6708MW is a highly-scalable [LCD KVM switch](#) which features the ability to control up to 64 computers by cascading 8 additional [CS1768](#) 8-port KVM switches.

Featuring an integrated 17.3" LED-backlit LCD panel capable of Full HD 1080p video – greater clarity than typical analog interfaces, the CL6708MW incorporates the YUV video format for greater compatibility with high-definition signals (e.g. NVR sources). Similarly, the CL6708MW is High-Bandwidth Digital Content Protection ([HDCP](#)) compatible, making it well-suited for use with content-protected media in corporate, educational, and commercial settings.

To further enhance usability, ATEN's LED illumination light is included to ensure keyboard and touchpad visibility in low-light conditions.

Features

- Integrated KVM with a 17.3" widescreen DVI Full HD LCD monitor
- Single rail, sliding housing with top and bottom clearance for smooth operation with a 1U rack
- Controls 8 Single Link DVI computers
- Supports an external console with DVI video port
- Exclusive LED illumination light – designed by ATEN to illuminate the keyboard and touchpad to allow visibility in lowlight conditions
- Additional hot-pluggable USB mouse port on front panel (also functions as a USB peripheral port)
- KVM port extendable via one-level cascade (up to 8 additional [CS1768](#) 8-port KVM switches)
- Computer selection via the front panel pushbuttons, hotkeys, and multilingual on-screen display (OSD)
- Broadcast mode – allows users to send commands from the console to all computers to perform operations simultaneously
- Firmware upgradable
- Supports YUV video format for greater compatibility
- DVI monitor support – fully compliant with DVI specifications
- Video DynaSync™ – exclusive ATEN technology eliminates boot-up display problems and optimizes responsiveness when switching between ports
- Note: [Video DynaSync](#)™ only works with digital video sources
- HDCP-compatible for hassle-free content-protected media playback
- Superior video quality – 1920 x 1080 @ 60 Hz; DDC2B
- Audio support for connecting speakers
- Auto Scan Mode for monitoring all computers
- Multiplatform support – Windows, Linux, Mac, and Sun
- Console lock – enables the console drawer to remain securely locked away in position when not in use

[More information about "Easy Rack Mounting"...](#)

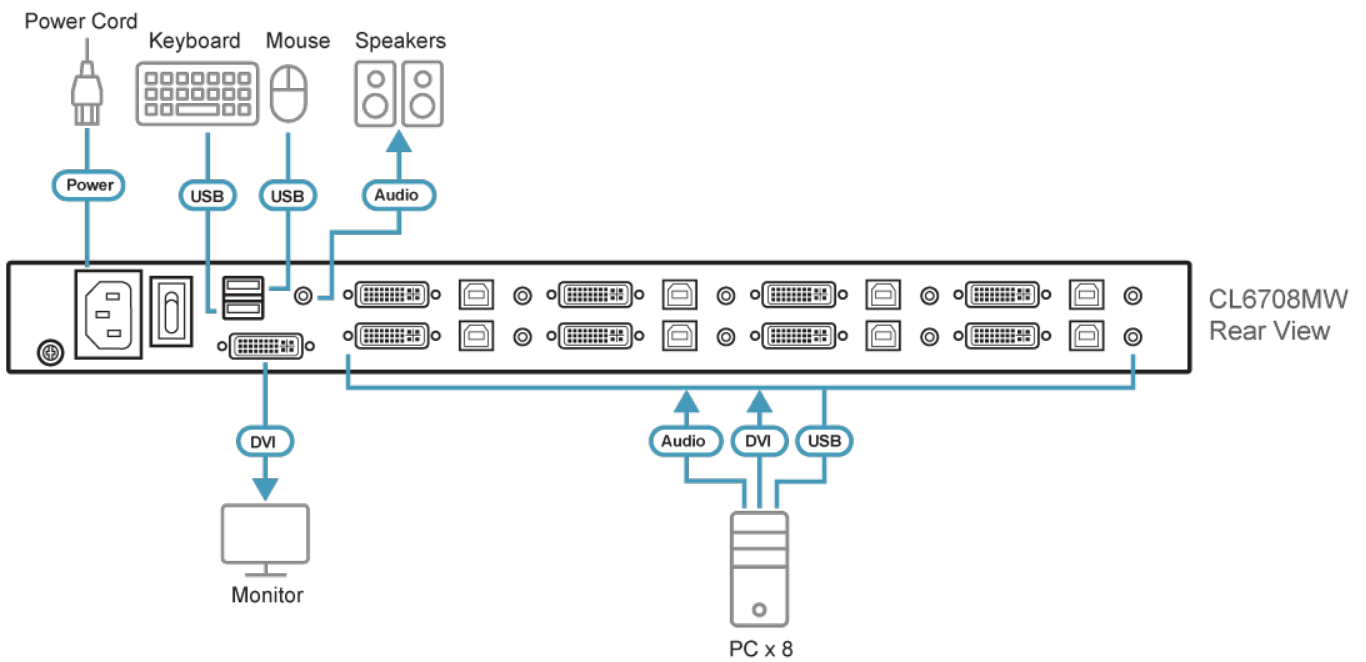
Specifications

Function	CL6708MW
Computer Connections	
Direct	8
Maximum	64 (via Cascade)
Port Selection	OSD, Hotkey, Pushbutton
Connectors	
KVM Ports	8 x DVI-I Female (White) 8 x USB Type B Female 8 x 3.5mm Audio Jack Female (Green)

Firmware Upgrade	1 x RJ-11 Female
Power	1 x IEC 60320/C14
External Console Ports	1 x DVI-I Female (White) 2 x USB Type A Female 1 x 3.5mm Audio Jack Female (Green)
External Mouse / Peripheral	1 x USB Type A Female (Front)
Switches	
Port Selection	8 x Pushbutton
Reset	1 x Semi-recessed Pushbutton
Firmware Upgrade	1 x Slide Switch
Power	1 x Rocker Switch
LCD Control	4 x Pushbutton
LCD Power	1 x LED Pushbutton
LEDs	
Online	8 (Orange)
Selected	8 (Green)
Power	1 x KVM Power(Dark Green) 1 x LCD Power(Orange)
Lock	1 x Num Lock (Green) 1 x Caps Lock (Green) 1 x Scroll Lock (Green)
LED Illumination Light	1 x LED Illumination Light
Panel Spec	
LCD Module	17.3" TFT-LCD
Resolution	1920 x 1080 @ 60 Hz
Response time	16 ms
Viewing Angle	170° (H), 170° (V)
Pixel Pitch	0.1989 mm x 0.1989 mm
Support Color	16.77M colors
Contrast Ratio	800:1
Luminance	250 cd/m ²
Video	
Input Video Resolution	up to 1920 x 1200 @ 60 Hz (all resolution @ 60Hz only); 1920 x 1080 @ 60 Hz, DDC2B
Scan Interval	1–255 seconds
Emulation	
Keyboard / Mouse	USB
Maximum Input Power Rating	100–240 V AC, 50/60 Hz, 1 A
Power Consumption	AC110V:23.3W:116BTU/h AC220V:23.3W:116BTU/h Note: ● The measurement in Watts indicates the typical power consumption of the device with no external loading. ● The measurement in BTU/h indicates the power consumption of the device when it is fully loaded.
Environmental	
Operating Temperature	0–40°C

Storage Temperature	-20~60°C
Humidity	0~80% RH, Non-condensing
Physical Properties	
Housing	Metal + Plastic
Rail Type	Single Rail
Weight	12.70 kg (27.97 lb)
Dimensions (L x W x H)	48.00 x 68.92 x 4.40 cm (18.9 x 27.13 x 1.73 in.)
Note	For some of rack mount products, please note that the standard physical dimensions of WxDxH are expressed using a LxWxH format.

Diagram



ATEN International Co., Ltd.

3F., No.125, Sec. 2, Datong Rd., Sijhih District., New Taipei City 221, Taiwan
 Phone: 886-2-8692-6789 Fax: 886-2-8692-6767
 www.aten.com E-mail: marketing@aten.com



© Copyright 2015 ATEN® International Co., Ltd.
 ATEN and the ATEN logo are trademarks of ATEN International Co., Ltd.
 All rights reserved. All other trademarks are the property of their respective owners.