

KL1516A

16-Port Multi-Interface Cat 5 Dual Rail LCD KVM Switch



ATEN KL1516A [LCD KVM Switch](#) features independently retractable, dual slide 17" or 19" LED-backlit LCD monitor and keyboard with built-in touchpad. The KL1516A KVM switches are control units that allow IT administrators to access and control multiple computers from the LCD console and an extra PS/2 or USB KVM console.

For increased reliability and efficiency, RJ-45 connectors and Cat 5e / 6 cable are used to link to the computers. Utilizing KVM Adapters for the final linkup, the KL1516A permits any combination of PCs, Macs, Sun computers, and serial devices to coexist on the installation.

These switches have been designed with unique and powerful features that enable administrators to manage their entire server room and [data center](#) devices easily and conveniently.

For example, the advanced Adapter ID feature stores the Adapter's configuration information – such as its ID, port name, OS, keyboard language, etc. This feature allows administrators to relocate servers to different ports without having to reconfigure the adapters . Other advances found with these switches includes enhanced video quality – extending the distance to the servers to up to 50 m at a resolution of 1280 x 1024.

A KL1516A installation provides one of the best and most economical solutions ATEN offers to the SMB market. There is no better way to save time, space, and money than with a KL1516A KVM switch.

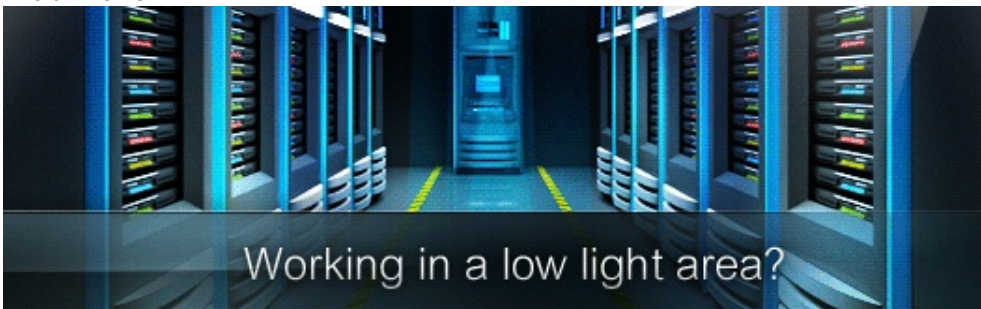
Note:

*Optional rack mount kits are available. For more information, refer to Compatible Accessories below or the link: [LCD KVM Optional Rack Mount Kit](#)

*The KL1516A does not support [virtual media](#) even when paired with a [virtual media](#)-enabled KVM adapter.

KL1516AM: 17" LCD

KL1516AN: 19" LCD



Features

- Exclusive LED illumination light – designed by ATEN to illuminate the keyboard and touchpad to allow visibility in low-light conditions
- Integrated KVM console with 17" or 19" LED-backlit LCD monitor in a Dual Rail housing
- A single console controls up to 16 computers
- Space-Saving RJ-45 connectors and Cat 5e / 6 cabling
- KVM adapters* designed with automatic conversion to allow flexible interface combinations (PS/2, USB, Sun and serial) to control all computer types
- OSD tree structure makes finding and managing computers easy
- Conveniently located station and port selectors with LED displays to quickly switch to target computers
- [Dual Rail housing is slightly less than 1U with top and bottom clearance for smooth operationmm in U of rack space](#)
- Extra console port - manage computers in the [LCD KVM switch](#) from an external console (monitor, USB or PS/2 keyboard, and USB or PS/2 mouse)
- Additional hot-pluggable USB mouse port on front panel that supports HID device for keyboard and mouse
- Dual Rail - LCD monitor slides independently of the keyboard / touchpad
- LCD module rotates up to 120 degrees for a more comfortable viewing angle
- [Console lock - enables the console drawer to remain securely locked away in position when not in use](#)
- [Dedicated Hotkey Mode and OSD Invocation Keys reduce the number of keystrokes and provide quick access to these functions](#)
- Daisy chain up to 31 additional KVM switches to control up to 512 computers
- Auto Scan mode enables continuous monitoring of user-selected computers
- Multiplatform support: PC, Mac, Sun and Serial
- [Superior Video Quality- supports the video resolutions up to 1280x1024@75 Hz for up to 50 meters](#)
- Configure port access rights for users on a port - by - port basis
- Three port selection methods: Manual (via front panel pushbuttons), Hotkey, and multi-language OSD (On Screen Display)
- [Multiple User Accounts -supports up to 10 user and 1 administrator accounts](#)
- Two-Level Password Security- supports one administrator and ten user profiles. Strong password protection prevents unauthorized accessing to the installation
- [LCD power button helps save energy and prolong displays' life](#)
- Broadcast Mode sends commands from the console to all computers – allowing you to perform operations (such as software installation, upgrades, shutdowns, etc.), on them simultaneously
- [Adapter ID](#)
- Firmware Upgradeable
- Optional rack mount kits available including easy installation options
- Keyboard Language support: English(US); English(UK); French, German, German(Swiss), Greek, Hungarian, Italian, Japanese, Korean, Russian, Spanish, Swedish and Traditional Chinese.

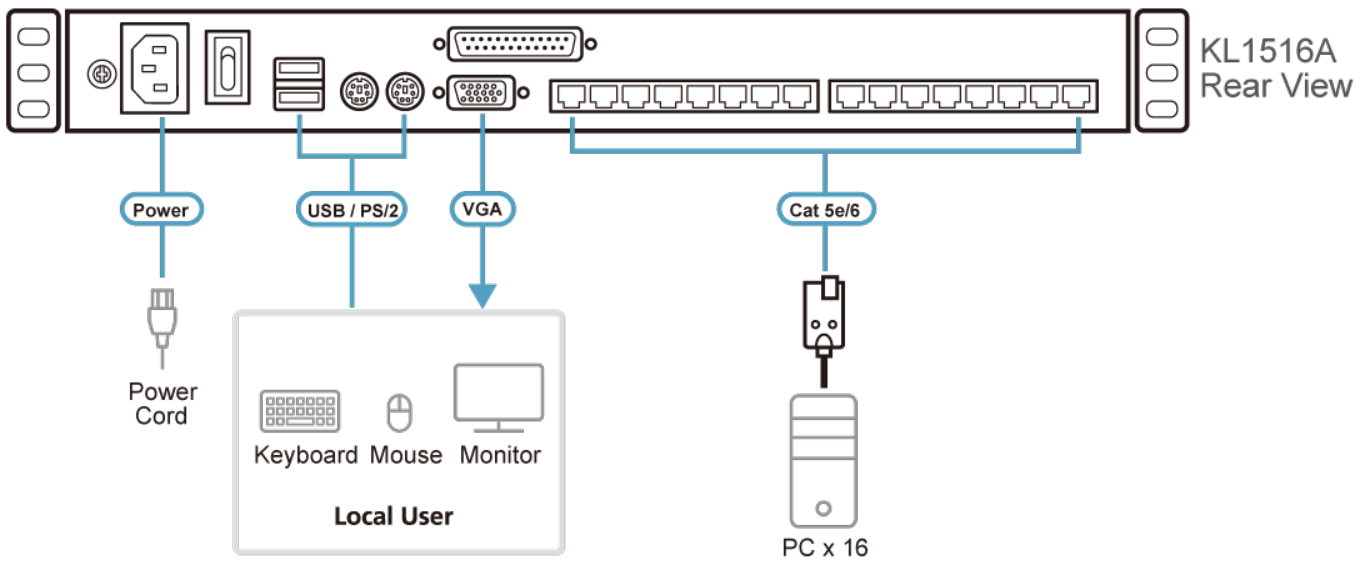
[More information about "Easy Rack Mounting"...](#)

Specifications

Function	KL1516AM	KL1516AN
Computer Connections		
Direct	16	16
Maximum	512 (via Daisy-chain)	512 (via Daisy-chain)
Port Selection	OSD, Hotkey, Pushbutton	OSD, Hotkey, Pushbutton
Connectors		
KVM Ports	16 x RJ-45 Female	16 x RJ-45 Female
Daisy Chain Ports	1 x DB-25 Male	1 x DB-25 Male
Firmware Upgrade	1 x RJ-11 Female	1 x RJ-11 Female
Power	1 x IEC60320/C14	1 x IEC60320/C14
External Console Ports	1 x HDB-15 Female (Blue) 2 x USB Type A Female 1 x 6-pin Mini-DIN Female (Purple) 1 x 6-pin Mini-DIN Female (Green)	1 x HDB-15 Female (Blue) 2 x USB Type A Female 1 x 6-pin Mini-DIN Female (Purple) 1 x 6-pin Mini-DIN Female (Green)
External Mouse Port	1 x USB Type A Female (Front)	1 x USB Type A Female (Front)
Switches		
Port Selection	16 x Pushbutton	16 x Pushbutton
Station Selection	2 x Pushbutton	2 x Pushbutton
Reset	1 x Semi-recessed Pushbutton	1 x Semi-recessed Pushbutton
Firmware Upgrade	1 x Slide Switch	1 x Slide Switch
Power	1 x Rocker Switch	1 x Rocker Switch
LCD Control	4 x Pushbutton	4 x Pushbutton
LCD Power	1 x LED Pushbutton	1 x LED Pushbutton
LEDs		
Online	16 (Green)	16 (Green)
Selected	16 (Orange)	16 (Orange)

Power	1 (Blue)	1 (Blue)
Station ID	1 x 2 Digit 7-segment (Orange)	1 x 2 Digit 7-segment (Orange)
Lock	1 x Num Lock (Green) 1 x Caps Lock (Green) 1 x Scroll Lock (Green)	1 x Num Lock (Green) 1 x Caps Lock (Green) 1 x Scroll Lock (Green)
LCD Power	1 (Orange)	1 (Orange)
LED Illumination Light	1 x LED Illumination Light	1 x LED Illumination Light
Panel Spec		
LCD Module	17" TFT-LCD	19" TFT-LCD
Resolution	1280 x 1024 @ 75 Hz	1280 x 1024 @ 75 Hz
Response time	5 ms	5 ms
Viewing Angle	170° (H), 160° (V)	170° (H), 160° (V)
Pixel Pitch	0.264 mm x 0.264 mm	0.294 mm x 0.294 mm
Support Color	16.7M colors	16.7M colors
Contrast Ratio	1000:1	1000:1
Luminance	250 cd/m ²	250 cd/m ²
Video		
Input Video Resolution	1920 x 1200 @ 60 Hz	1920 x 1200 @ 60 Hz
Second console	1920 x 1200 @ 60 Hz	1920 x 1200 @ 60 Hz
Scan Interval	1–255 sec.	1–255 sec.
Emulation		
Keyboard / Mouse	PS/2, USB, Serial	PS/2, USB, Serial
Maximum Input Power Rating	100-240V AC; 50-60Hz; 1A	100-240V AC; 50-60Hz; 1A
Power Consumption	AC110V:16.8W:89BTU/h AC220V:19.8W:103BTU/h Note: ● The measurement in Watts indicates the typical power consumption of the device with no external loading. ● The measurement in BTU/h indicates the power consumption of the device when it is fully loaded.	AC110V:20W:104BTU/h AC220V:22.1W:114BTU/h Note: ● The measurement in Watts indicates the typical power consumption of the device with no external loading. ● The measurement in BTU/h indicates the power consumption of the device when it is fully loaded.
Environmental		
Operating Temperature	0 - 40°C	0 - 40°C
Storage Temperature	-20 - 60°C	-20 - 60°C
Humidity	0–80% RH, Non-condensing	0–80% RH, Non-condensing
Physical Properties		
Housing	Metal	Metal
Rail Type	Dual Rail	Dual Rail
Weight	15.20 kg (33.48 lb)	15.36 kg (33.83 lb)
Dimensions (L x W x H)	48.00 x 70.12 x 4.40 cm (18.9 x 27.61 x 1.73 in.)	48.00 x 70.12 x 4.40 cm (18.9 x 27.61 x 1.73 in.)
Note	For some of rack mount products, please note that the standard physical dimensions of WxDxH are expressed using a LxWxH format.	

Diagram



ATEN International Co., Ltd.

3F., No.125, Sec. 2, Datong Rd., Sijhih District., New Taipei City 221, Taiwan
Phone: 886-2-8692-6789 Fax: 886-2-8692-6767
www.aten.com E-mail: marketing@aten.com



© Copyright 2015 ATEN® International Co., Ltd.
ATEN and the ATEN logo are trademarks of ATEN International Co., Ltd.
All rights reserved. All other trademarks are the property of their respective owners.