

## CL5716

16-Port PS/2-USB VGA Single Rail LCD KVM Switch



**CL5716FM is discontinued**

The CL5716 Slideaway – [LCD KVM Switch](#) series is a control unit that allows access to multiple computers from a single PS/2 or USB KVM (keyboard, video, and mouse) console. A single CL5716 can control up to 8 or 16 computers. As many as 31 additional KVM switches can be daisy-chained to the CL5716, so that up to 512 computers can all be controlled from a single KVM console.

The CL5716 offers a [space-saving](#), streamlined approach to KVM switch technology by integrating a keyboard, 17", 17.3" or 19" LED-backlit LCD monitor, and touchpad in a 1U rack-mountable sliding housing. The 17.3" LCD monitor offers Full HD superior video quality for enhanced visibility and clarity.

The CL5716 is built on a modular design. The KVM section can be detached from the switch section for convenient maintenance and repair.

Note: Optional rack mount kits are available. For more information, refer to Compatible Accessories below.

**CL5716M: 17" LCD**

**CL5716MW: 17.3" FHD LCD**

**CL5716N: 19" LCD**

**CL5716FM: 17" LCD with fingerprint reader (Discontinued)**



**Features**

- Exclusive LED illumination light – designed by ATEN to illuminate the keyboard and touchpad to allow visibility in lowlight conditions
- Integrated KVM console with 17", 17.3" or 19" LED-backlit LCD monitor in a Slideaway™ housing
- Space saving technology – up to two consoles (one bus) control up to 8 or 16 computers
- Daisy-chain up to 31 additional units – controls up to 512 computers from a single console
- Dual interface – supports computers and console with PS/2 or USB keyboards and mice
- USB port allows each computer to access USB peripherals\* (inapplicable to CL5716MW)
- LCD module rotates up to 120 degrees for a more comfortable viewing angle
- Multiplatform support – Windows, Linux, Mac, and Sun
- Supports multimedia USB keyboards for PC, Mac and Sun
- Auto PS/2 and USB interface detection
- Keyboard and mouse emulation (PS/2 and USB) for smooth switching and simultaneous booting of multiple computers even when the console focus is elsewhere
- Additional hot-pluggable USB mouse port on front panel (also functions as a USB peripheral port)
- Superior video quality – supports resolutions of up to 1280 x 1024 @ 75 Hz (CL5716M / CL5716N) and 1920 x 1080 @ 60 Hz (CL5716MW)
- No software required – convenient computer selection via front panel pushbuttons, hotkeys and multilingual onscreen display (OSD) menus
- Auto-senses station's position on daisy-chained installations; no need for manual dip switch setting; front panel LED indicates station's position
- Port names automatically reconfigured when station sequence is changed
- Two level password security – only authorized users can view and control computers
- Supports one administrator and four user accounts with separate profiles
- Auto Scan mode enables continuous monitoring of user-selected computers
- Broadcast supports – commands from the keyboard can be broadcast to all available computers on the installation
- Hot pluggable
- Beeper on / off via hotkey and OSD
- Firmware upgrades to all the chained KVM switches at the same time via the daisy-chain cable
- Optional rack mount kits available including easy installation options
- Keyboard Language supports: English (US), English (UK), French, German, German (Swiss), Greek, Hungarian, Italian, Japanese, Korean, Russian, Spanish, Traditional Chinese and Turkish

**Note:**

The USB peripheral function only works with USB cable set connections. It will not work with PS/2 cable set connections (inapplicable to CL5716MW)

[More information about "Easy Rack Mounting"...](#)

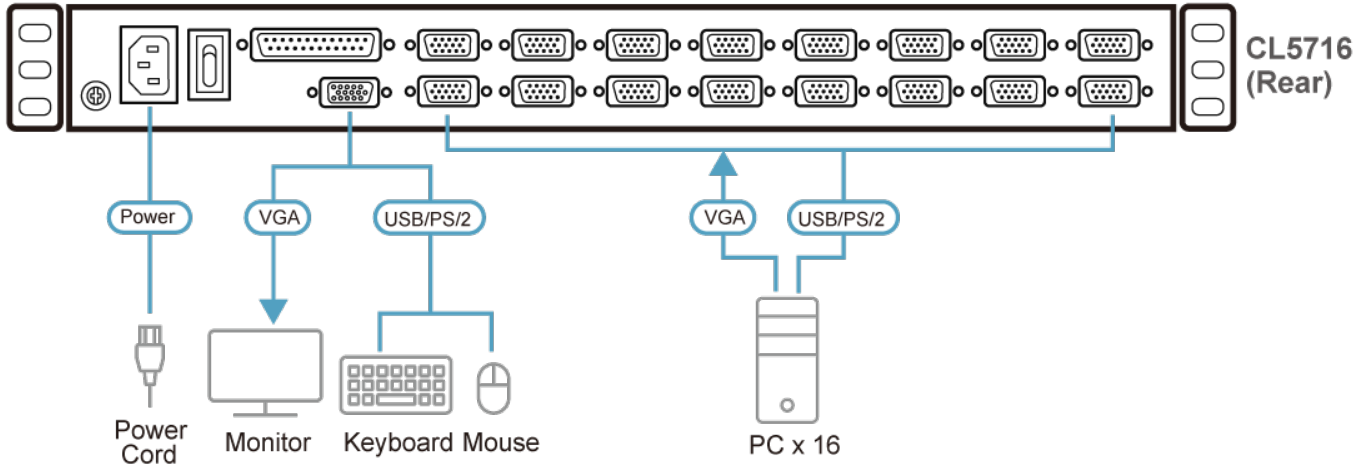
**Specifications**

Function	CL5716M	CL5716MW	CL5716N
<b>Computer Connections</b>			
Direct	16	16	16
Maximum	512 (via Daisy-chain)	512 (via Daisy-chain)	512 (via Daisy-chain)
Port Selection	OSD, Hotkey, Pushbutton	OSD, Hotkey, Pushbutton	OSD, Hotkey, Pushbutton
<b>Connectors</b>			
KVM Ports	16 x SPHD Female (Yellow)	16 x SPHD Female (Yellow)	16 x SPHD Female (Yellow)
Daisy Chain Ports	1 x DB-25 Male	1 x DB-25 Male	1 x DB-25 Male
Firmware Upgrade	1 x RJ-11 Female	1 x RJ-11 Female	1 x RJ-11 Female
Power	1 x IEC 60320/C14	1 x IEC 60320/C14	1 x IEC 60320/C14
External Console Ports	1 x SPHD Male (Yellow)	1 x SPHD Male (Yellow)	1 x SPHD Male (Yellow)
External Mouse Port	1 x USB Type A Female (Front)	1 x USB Type A Female (Front)	1 x USB Type A Female (Front)
USB Port	1 x USB Type A Female	N/A	1 x USB Type A Female
<b>Switches</b>			
Port Selection	2 x Pushbutton	2 x Pushbutton	2 x Pushbutton
Station Selection	2 x Pushbutton	2 x Pushbutton	2 x Pushbutton
Reset	1 x Semi-recessed Pushbutton	1 x Semi-recessed Pushbutton	1 x Semi-recessed Pushbutton
Firmware Upgrade	1 x Slide Switch	1 x Slide Switch	1 x Slide Switch
Power	1 x Rocker Switch	1 x Rocker Switch	1 x Rocker Switch
LCD Control	4 x Pushbutton	4 x Pushbutton	4 x Pushbutton

LCD Power	1 x LED Pushbutton	1 x LED Pushbutton	1 x LED Pushbutton
LEDs			
Online	16 (Orange)	16 (Orange)	16 (Orange)
Port ID	2 x 7-segment LED Display (Orange)	2 x 7-segment LED Display (Orange)	2 x 7-segment LED Display (Orange)
Station ID	2 x 7-segment LED Display (Orange)	2 x 7-segment LED Display (Orange)	2 x 7-segment LED Display (Orange)
Power	1 (Dark Green)	1 (Dark Green)	1 (Dark Green)
Lock	1 x Num Lock (Green) 1 x Caps Lock (Green) 1 x Scroll Lock (Green)	1 x Num Lock (Green) 1 x Caps Lock (Green) 1 x Scroll Lock (Green)	1 x Num Lock (Green) 1 x Caps Lock (Green) 1 x Scroll Lock (Green)
LED Illumination Light	1 x LED Illumination Light	1 x LED Illumination Light	1 x LED Illumination Light
Panel Spec			
LCD Module	17" TFT-LCD	17.3" TFT-LCD	19" TFT-LCD
Resolution	1280 x 1024 @ 75 Hz	1920 x 1080 @ 60 Hz	1280 x 1024 @ 75 Hz
Response time	5 ms	16 ms	5 ms
Viewing Angle	170° (H), 160° (V)	170° (H), 170° (V)	170° (H), 160° (V)
Pixel Pitch	0.264 mm x 0.264 mm	0.1989 mm x 0.1989 mm	0.294 mm x 0.294 mm
Support Color	16.77M colors	16.77M colors	16.77M colors
Contrast Ratio	1000 : 1	800 : 1	1000 : 1
Luminance	250 cd/m <sup>2</sup>	250 cd/m <sup>2</sup>	250 cd/m <sup>2</sup>
Video			
Input Video Resolution	up to 1920 x 1200 @ 60 Hz; 1280 x 1024 @ 75 Hz, DDC2B	up to 1920 x 1200 @ 60 Hz (all resolution @ 60Hz only); 1920 x 1080 @ 60 Hz, DDC2B	up to 1920 x 1200 @ 60 Hz; 1280 x 1024 @ 75 Hz, DDC2B
Scan Interval	1-255 seconds	1-255 seconds	1-255 seconds
Emulation			
Keyboard / Mouse	PS/2, USB	PS/2, USB	PS/2, USB
Maximum Input Power Rating	100-240V AC, 50/60Hz, 1A	100-240V AC, 50/60Hz, 1A	100-240V AC, 50/60Hz, 1A
Power Consumption	AC110V:24.7W:129BTU/h AC220V:25.8W:134BTU/h  Note: ● The measurement in Watts indicates the typical power consumption of the device with no external loading. ● The measurement in BTU/h indicates the power consumption of the device when it is fully loaded.	AC110V:14.8W:80BTU/h AC220V:15.6W:84BTU/h  Note: ● The measurement in Watts indicates the typical power consumption of the device with no external loading. ● The measurement in BTU/h indicates the power consumption of the device when it is fully loaded.	AC110V:26.9W:139BTU/h AC220V:27.9W:144BTU/h  Note: ● The measurement in Watts indicates the typical power consumption of the device with no external loading. ● The measurement in BTU/h indicates the power consumption of the device when it is fully loaded.
Environmental			
Operating Temperature	0-40°C	0-40°C	0-50°C
Storage Temperature	-20-60°C	-20-60°C	-20-60°C
Humidity	0-85% RH, Noncondensing	0-85% RH, Noncondensing	0-85% RH, Noncondensing
Physical Properties			
Housing	Metal + Plastic	Metal + Plastic	Metal + Plastic

Rail Type	Single Rail	Single Rail	Single Rail
Weight	13.59 kg ( 29.93 lb )	13.65 kg ( 30.07 lb )	13.65 kg ( 30.07 lb )
Dimensions (L x W x H)	48.00 x 64.27 x 4.40 cm (18.9 x 25.3 x 1.73 in.)	48.00 x 68.92 x 4.40 cm (18.9 x 27.13 x 1.73 in.)	48.00 x 68.92 x 4.40 cm (18.9 x 27.13 x 1.73 in.)
Note	For some of rack mount products, please note that the standard physical dimensions of WxDxH are expressed using a LxWxH format.		

Diagram



**ATEN International Co., Ltd.**

3F, No.125, Sec. 2, Datong Rd., Sijhih District., New Taipei City 221, Taiwan  
 Phone: 886-2-8692-6789 Fax: 886-2-8692-6767  
 www.aten.com E-mail: marketing@aten.com



© Copyright 2015 ATEN® International Co., Ltd.  
 ATEN and the ATEN logo are trademarks of ATEN International Co., Ltd.  
 All rights reserved. All other trademarks are the property of their respective owners.