

## AD004E

DSP Mixer with 4-ch Dante Input



The AD004E converts Dante inputs into 4-channel analog line outputs, integrating analog and digital audio devices into one single system through Dante AoIP media networking technology. It supports 24 bit and offers sampling rate options of 44.1k, 48k, 88.2k, and 96 kHz to meet different environment needs.

The built-in DSP allows 24 presets and speaker functionality management through the PC-based app Audio Wizard / ATEN VK control system via LAN / RS-232. A DSP matrix mixer is also contained to deliver DSP mixing and routing functions, enabling users to assign Dante inputs to any of the four analog outputs.

The AD004E is AES67 compliant, elevating interoperability between different audio networking protocols and devices. Plus, the unit comes with a selectable automatic Standby Mode for energy-saving purposes, switching the AD004E to Standby Mode automatically when the signal level runs lower than -50 / -60 / -70 dBu for a selected duration (10 / 30 / 60 minutes), allowing the system to consume less power. The AD004E supports redundancy operation thanks to its PoE functionality, eliminating the need for additional cable installations. All the features come in a compact half-rack size enclosure, and consequently, less rack space is needed and installation under desks or on any flat surface is made easy.

Not only does the AD004E enhance interoperability among AoIP devices and allow for speaker management, it also realizes distributed DSP systems when working with ATEN Pro Audio models, elevating installation flexibility, reducing overall cost, and broadening applications. It is suitable for professional audio scenarios utilizing the Dante networking technology, such as boardrooms, conference rooms, and hospitality venues such as restaurants and bars.



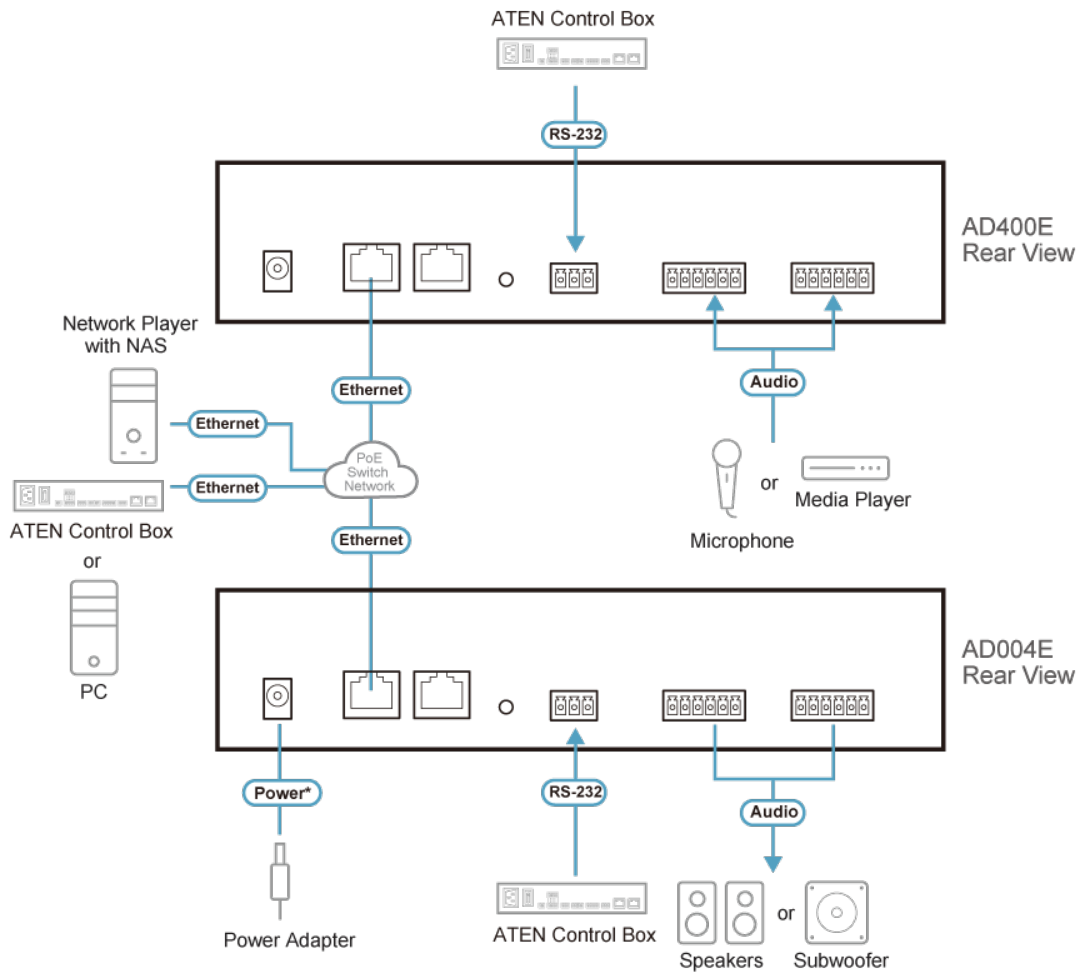
### Features

- Converts Dante inputs into 4-channel analog line outputs
- Dante AoIP technology - replaces heavy, costly analog audio cables with cost-effective, easy-to-manage Cat cables
- AES67 compliant
- Supports 24 bit and offers sampling rate options of 44.1k, 48k, 88.2k, and 96 kHz
- Built-in DSP - allows 24 presets and speaker functionality management through PC-based app Audio Wizard / ATEN VK control system via LAN / RS-232
- Built-in DSP matrix mixer - enables users to assign Dante inputs to any of the four analog outputs
- Selectable automatic Standby Mode - the unit enters Standby Mode automatically when the signal level runs lower than -50 / -60 / -70 dBu for a selected duration (10 / 30 / 60 minutes)
- Supports PoE for redundancy operation and eliminating the need for additional wiring installations
- Compact half-rack size chassis - flexible installation inside racks and easy placement under desks or on flat surfaces
- Works with ATEN Pro Audio models to realize distributed DSP systems

Specifications

Line Outputs	
Maximum output Level	+24dBu, Nominal Input Level: +4dBu
Impedance	600Ω
System Specification	
Distortion	THD+N: <0.01%, 1kHz, Max. Gain
Frequency Response	20~20kHz, +/-0.5dB
Audio Sampling	24-bit, 44.1k/48k/88.2k/96kHz
Crosstalk	<-95dB
Power	
Power Consumption	12VDC, 3.3A
Power over Ethernet (PoE)	Class 0, IEEE802.3af
Control	
RS-232	Connector: 3-pin, 3.5mm, Terminal Block Baud rate and protocol: Baud Rate: 19200, Data Bits: 8, Stop Bits:1, Parity: No, Flow Control: No
Ethernet	RJ45
Compliance	
Certification	FCC, CE, UKCA
Environmental	
Operating Temperature	0~40°C
Humidity	0-80% RH, Non-Condensing
Storage Temperature	-20~60°C
Physical Properties	
Weight	0.92 kg ( 2.04 lb )
Housing	Metal
Dimensions (L x W x H)	20.00 x 4.40 x 15.40 cm (7.87 x 1.73 x 6.06 in.)
Note	External power adapter is sold separately.
Note	For some of rack mount products, please note that the standard physical dimensions of WxDxH are expressed using a LxWxH format.

Diagram



Note: The power adapter is sold separately and it supplies redundant power when PoE becomes unavailable. Please contact your ATEN dealer or go to ATEN website for available accessories and product information.

**ATEN International Co., Ltd.**

3F., No.125, Sec. 2, Datong Rd., Sijhih District., New Taipei City 221, Taiwan  
 Phone: 886-2-8692-6789 Fax: 886-2-8692-6767  
 www.aten.com E-mail: marketing@aten.com



© Copyright 2015 ATEN® International Co., Ltd.  
 ATEN and the ATEN logo are trademarks of ATEN International Co., Ltd.  
 All rights reserved. All other trademarks are the property of their respective owners.