

VK211

RS-232/Contact to USB Keyboard Converter



VK211 converts RS-232 commands to full-range USB keyboard signals for remote control over USB keyboard-based devices such as KVMs and PCs, broadening [ATEN Control System](#) / 3rd party controller applications. Besides, VK211 can recall the stored key codes and store up to 4 preset actions triggered via Contact In signals. The Learn function captures USB keyboard signals by pressing certain key combinations to ease the setup procedure and configurations.

A priority control push button is easy to spot on the panel for local operators to manage [remote access](#), ensure operational accuracy, and handle emergencies. LEDs are built in to indicate the status of digital input signals, priority control, and power at a glance.

With the capabilities of emulating USB keyboard signals, the VK211 is perfect to provide RS-232 / Contact In interfaces for KVMs or any PC-based devices without remote control functionalities. Its compact size and non-power source design are suitable for applications such as factory [production lines](#), control rooms, or any facility that requires automation with control system and remote secure operation without installing any software.

Features

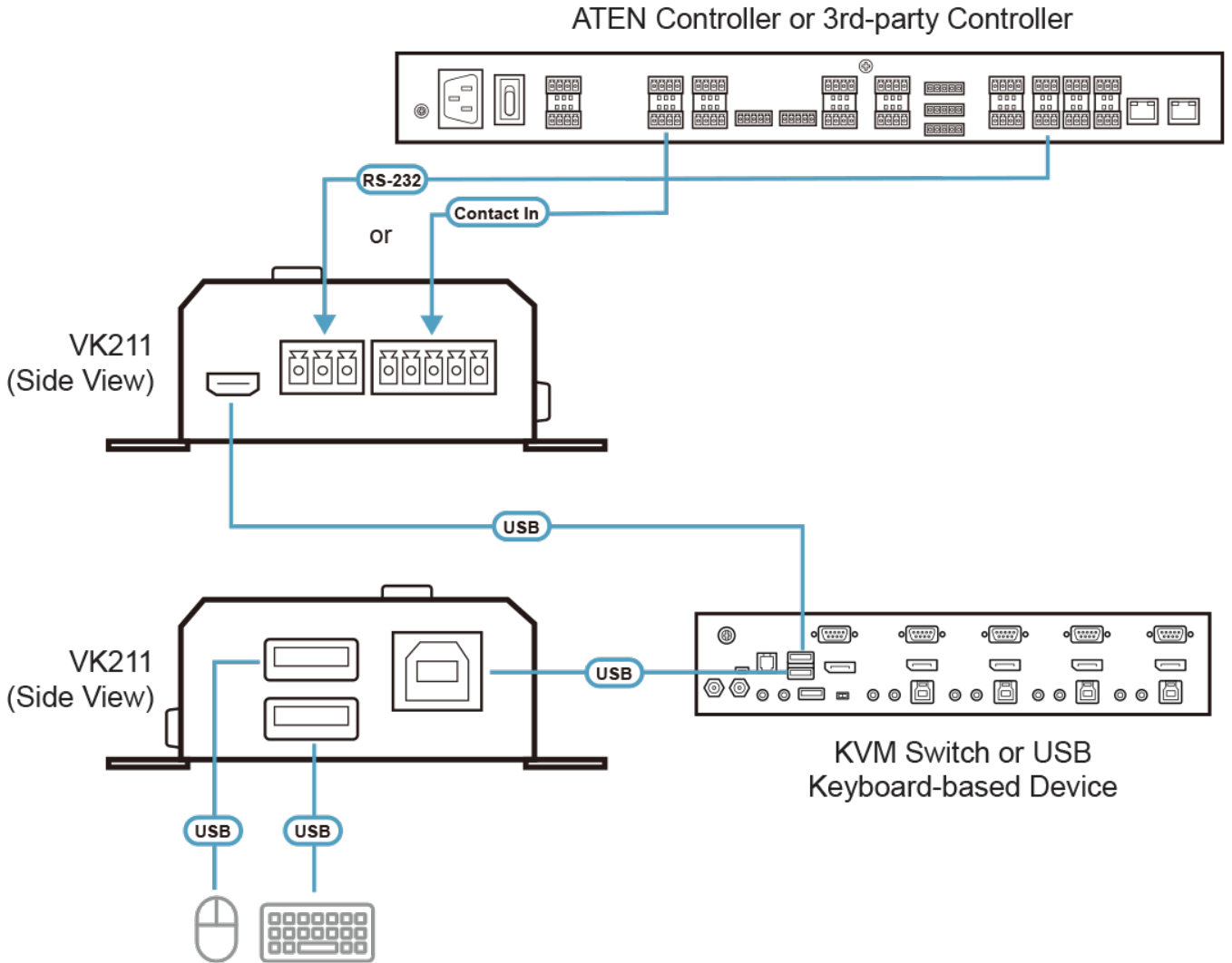
- Converts RS-232 commands to full-range USB keyboard signals for remote control over USB keyboard-based devices such as KVMs and PCs
- Recalls the stored key codes and allows storage of up to 4 preset actions triggered via Contact In signals
- Local USB console ports for keyboard / mouse connection
- On-panel priority control push button for local operators to manage [remote access](#) in case of emergencies
- LEDs indicate the status of digital input signals, priority control, and power at a glance
- No extra power required by utilizing the connection with USB devices
- Learn mode eases the setup procedure and configurations
- Compatible with ATEN KVMs*

Note: Please click [here](#) to see the supported ATEN KVM models

Specifications

Connectors	
Console Ports	2 x USB Type A Female
Device Ports	1 x USB Type B Female
RS-232	1 x Bi-directional RS-232 port (1 x 3-Pole Terminal Block) Baud Rate: 19200 Data Bit: 8 Stop Bit: 1 Parity: None
Contact In	4 x Contact Closure Input ports (1 x 5-Pole Terminal Block)
Power (Optional)	1 x USB Micro B Female
Priority Button	1 x Pushbutton Toggle switch for remote control. Hold & press for 3 seconds to enter learning mode
LEDs	
Contact In	4 (Green)
Power	1 (Green)
Priority	1 (Orange)
Power Consumption	DC5V:0.69W:7BTU/h Note: ● The measurement in Watts indicates the typical power consumption of the device with no external loading. ● The measurement in BTU/h indicates the power consumption of the device when it is fully loaded.
Environmental	
Operating Temperature	0-50°C
Storage Temperature	-20-60°C
Humidity	0-80% RH, Non-condensing
Physical Properties	
Housing	Metal
Weight	0.15 kg (0.33 lb)
Dimensions (L x W x H)	8.20 x 7.30 x 2.62 cm (3.23 x 2.87 x 1.03 in.)
Note	For some of rack mount products, please note that the standard physical dimensions of WxDxH are expressed using a LxWxH format.

Diagram



ATEN International Co., Ltd.

3F., No.125, Sec. 2, Datong Rd., Sijhih District., New Taipei City 221, Taiwan
 Phone: 886-2-8692-6789 Fax: 886-2-8692-6767
 www.aten.com E-mail: marketing@aten.com



© Copyright 2015 ATEN® International Co., Ltd.
 ATEN and the ATEN logo are trademarks of ATEN International Co., Ltd.
 All rights reserved. All other trademarks are the property of their respective owners.