

VE2812AUST

HDMI & VGA HDBaseT Transmitter with US Wall Plate / PoH (4K@100m) (HDBaseT Class A) (PoH PD)





More than AV Extension



VE2812AUST

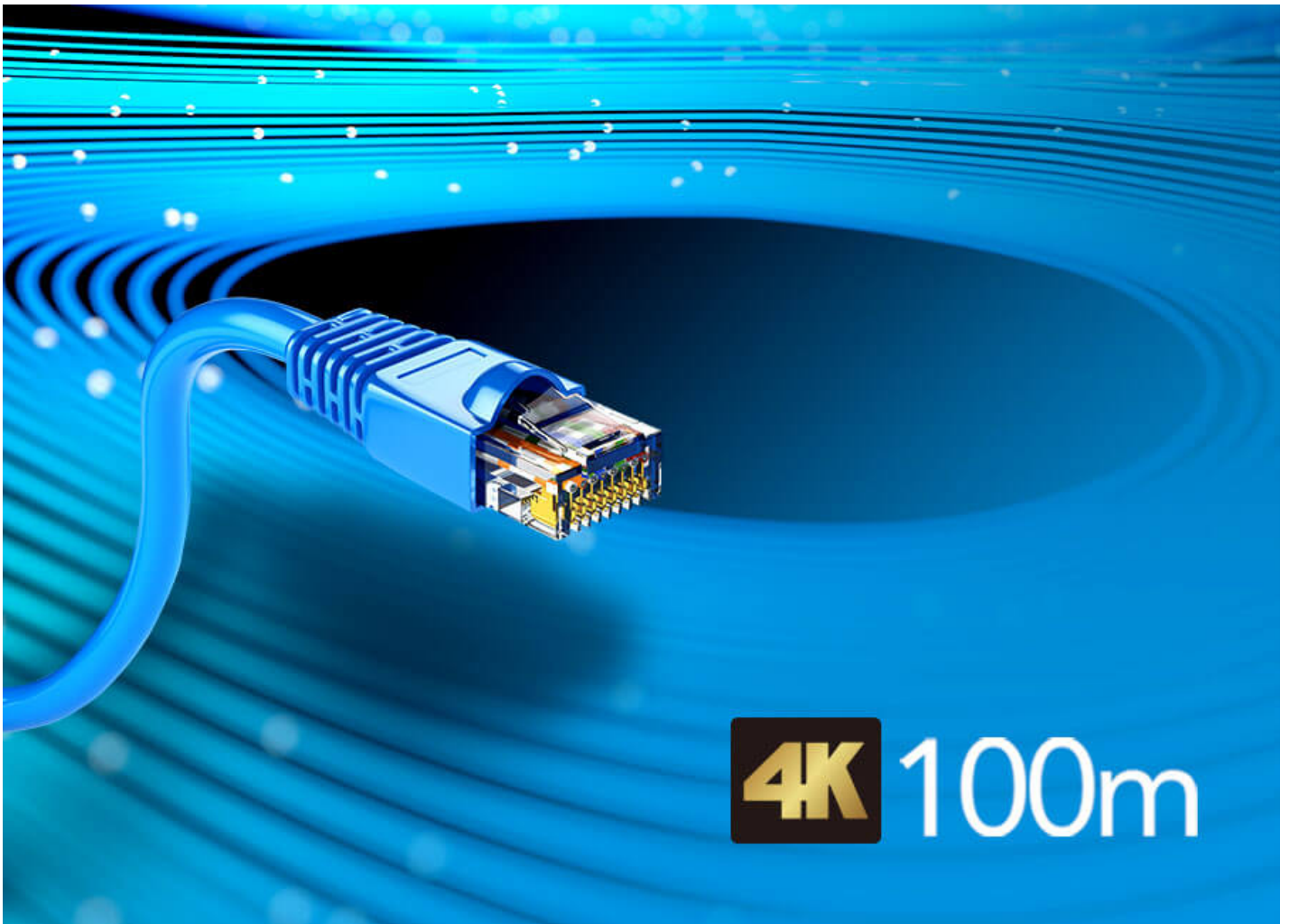
HDMI & VGA HDBaseT
Transmitter with US Wall Plate / PoH

For mounting in standard 2-gang junction boxes, the VE2812AUST is a wall plate transmitter for sending VGA (with audio) and HDMI, as well as IR/RS-232 signals, up to 100 m over a single Cat 5e/6a cable that is designed to merge with the clean and elegant decor of modern [meeting rooms](#), boardrooms, conference rooms, [classrooms](#), and lecture halls.



Ready for Plug-and-Play

Designed to sleekly immerse with installation surfaces with a hidden snap design for its face plate, the VE2812AUST supports legacy and popular AV interfaces like VGA, HDMI, and stereo audio so that you're ready to connect any device that is brought into the room.



4K@100m Extended Transmission

Delivers superior video quality up to 4K@100m and 1080p@150m via a single Cat 6a / ATEN [2L-2910](#) Cat 6 cable, extending connections to where ever your output devices are located. Easily pair from our range of HDBaseT Receivers to support diverse display interfaces such as DisplayPort, HDMI, and DVI.

Multiple, Efficient Switching Options

The Source Switch button enables instant switching when required, while Auto Switch Mode supports automatic switching to a newly plugged-in source and instant switching back to the previous source on disconnection. Also supports RS-232 for switching via alternate control interfaces.



Contact Us

Get a quote for this product or get in touch with our sales experts

[Get Quote](#)

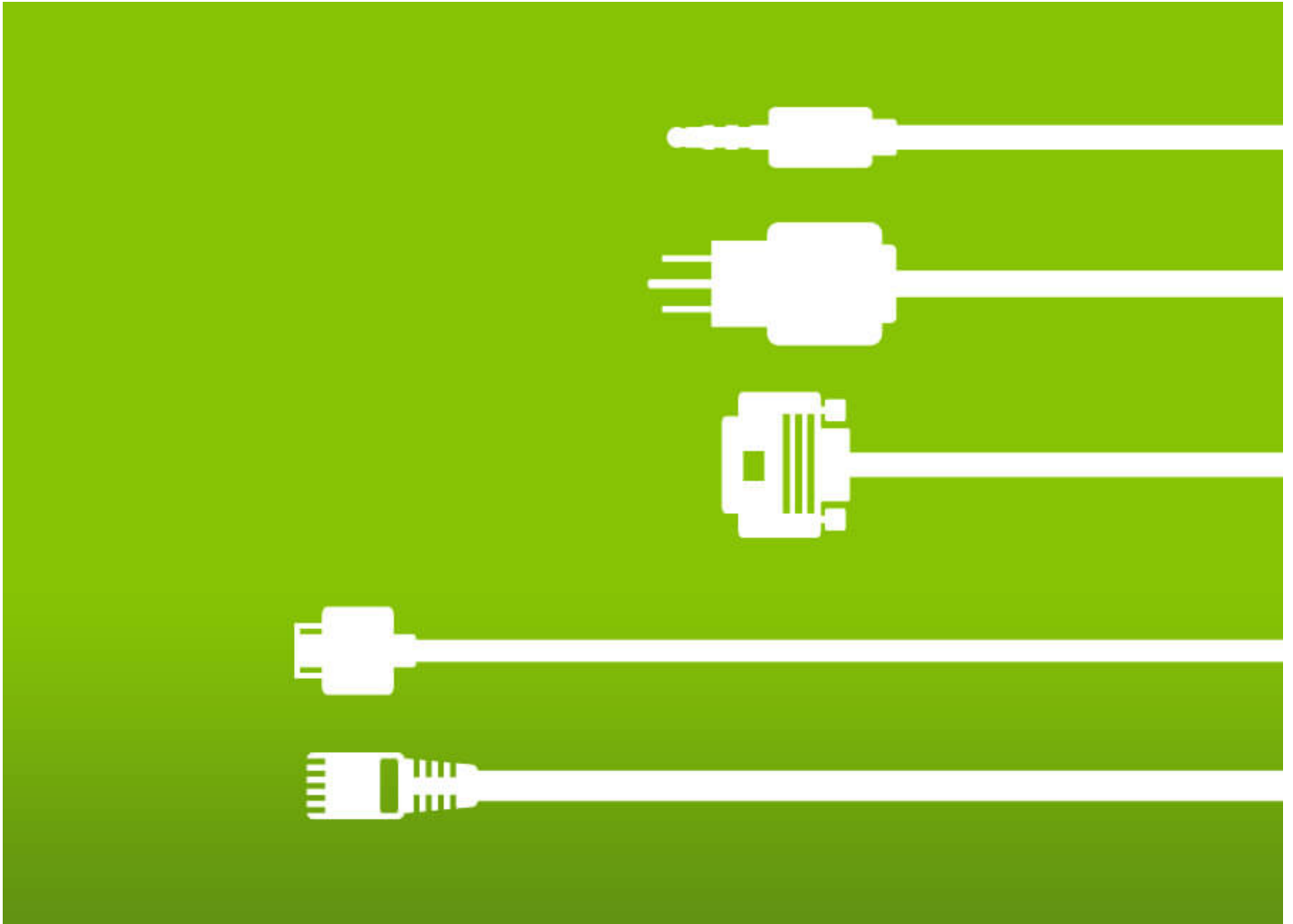
[Contact Sales](#)

**Convenient Power Access**

Supports Power over HDBaseT (PoH) and allows powering from another Power Source Equipment (PSE) device. No more worries about extending or installing power outlets.

AV Extension and More

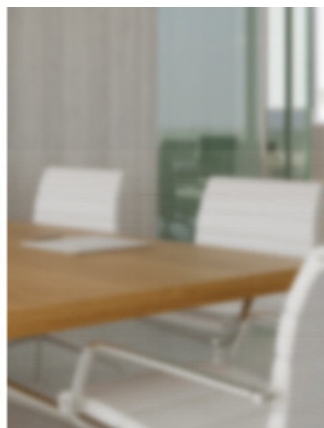
In addition to transmitting video and audio, the VE2812AUST maximizes [HDBaseT™](#) technology capabilities and offers IR and RS-232 Channels to control devices located in hard-to-reach areas as well as streamline the user operation experience.



Perfectly Blends with the Environment

Comes with a stylish and sleek design for you to elegantly immerse extensions into the décor of any room. A brown* option is also available for customization to complement even the most refined installation environment.

*Note: The Brown color option is made-to-order.



Talk to Our Experts

If you prefer to have ATEN contact you, please complete the form and a representative will be in touch with you shortly

First Name *

Last Name *

- Country *

Company *

Email *

Phone Number

- Customer Type *

Job Title *



Features

ATEN VE2812AUST is a transmitter for sending VGA (with audio) and HDMI signals up to 100 m over a single Cat 5e/6/6a or ATEN [2L-2910](#) Cat 6 cable. Featuring built-in PoH (Power over HDBaseT) function, the VE2812AUST receives power supply from the HDBaseT output port on the connected device. This eliminates the need for a power adapter and reduces the hassle of power line deployment behind the wall. With US Wall Plate design, the VE2812AUST can be conveniently mounted in a two - gang junction box. The VE2812AUST guarantees reliable transmission of HDMI / VGA signals. For HDMI signal transmission, it supports 3D, Deep Color, and embedded HD lossless audio formats. To pursue longer distance transmission, it supports Long Reach Mode up to 150 m via a single Cat 5e/6 cable at resolutions up to 1080p.

For utility flexibility, the VE2812AUST can serve as a video switch by connecting two sources and distribute them to an identical output. The compact wall plate design does away with bulky cables, allowing a neat and convenient installation in the wall or the table. Therefore, the VE2812AUST is specifically designed for use in [meeting rooms](#), digital educational environment or wherever needed to meet application requirements.

- Note:
1. This model is also available in brown color – the part no. VE2812AUST2, which is a built-to-order product. To place an order, please contact your regional ATEN representative.
 2. All pictures shown are for illustration purpose only. Actual color of the product is based on the product you receive.

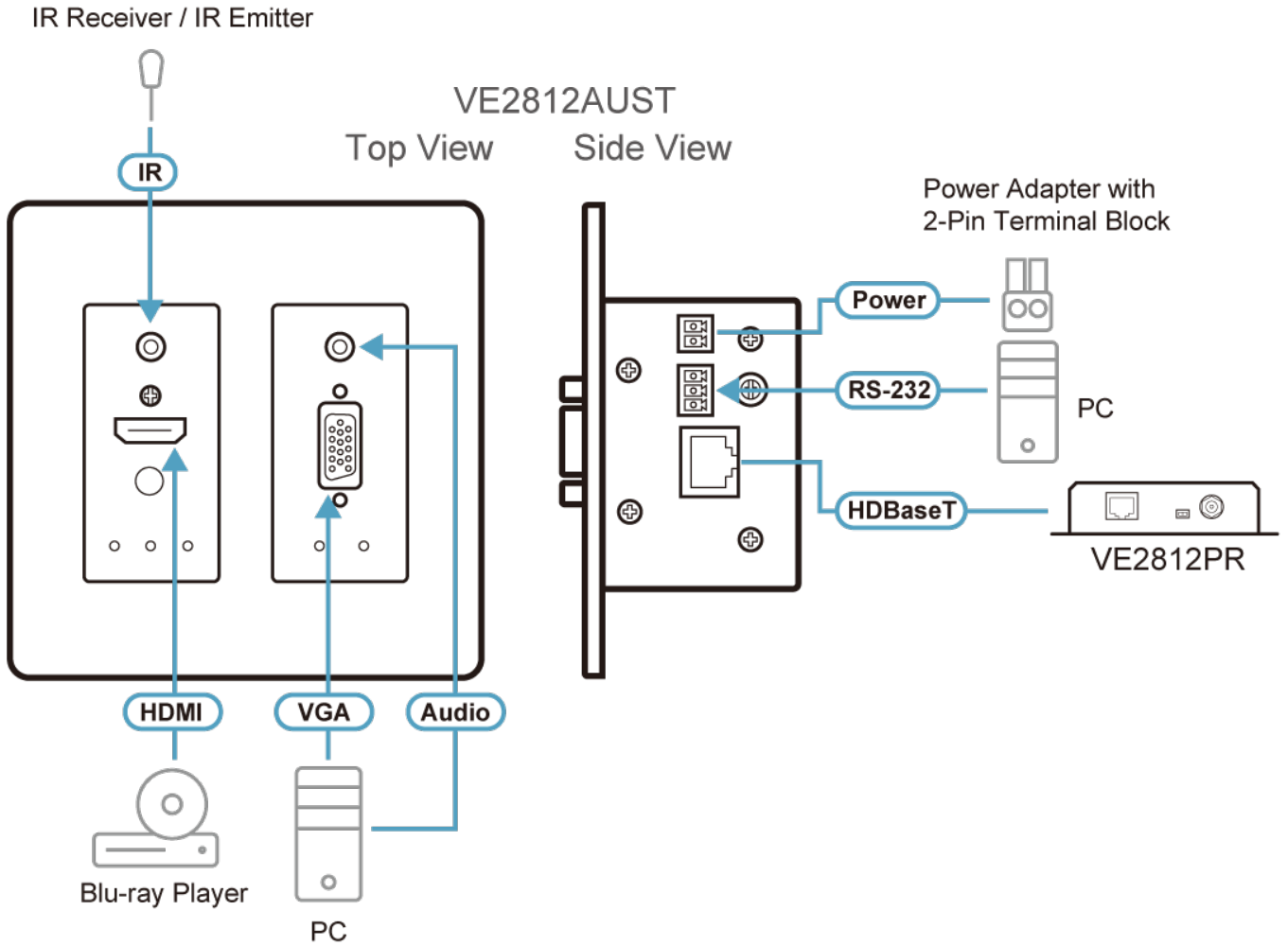
- Extends HDMI or VGA signals over a single Cat 5e/6/6a or ATEN [2L-2910](#) Cat 6 cable
- Superior video quality:
 - HDMI: 4K at distance up to 100 m via a Cat 6a or ATEN [2L-2910](#) Cat 6 cable
 - VGA: 1600 x 1200 and 1920 x 1200 up to 100 m via a Cat 6a or ATEN [2L-2910](#) Cat 6 cable
- HDMI (3D, Deep color, 4K); [HDCP](#) 2.2 compliant
- Supports HDBaseT Long Reach Mode – up to 150 m via a single Cat 5e/6 cable at resolutions up to 1080p
- Designed to mount in a two-gang junction box, compatible with US type
- Built-in PoH (Power over HDBaseT) function – the VE2812AUST receives power supply from the HDBaseT output port on the connected device
- Supports Auto Switch – allows the VE2812AUST to automatically switch to a newly plugged-in source
- Functions as a switch or a converter
 - A Switch: Connects two sources (HDMI or VGA)
 - A Converter: Applies receivers with different interface (DVI, DisplayPort, or HDMI)
- Supports RS-232 channel transmission or command mode for source switch control
- Compatible Receivers – [VE2812R](#), [VE1812R](#), [VE812R](#), [VE814AR](#), [VE811R](#), [VE801R](#), [VE802R](#), [VE601R](#), [VE901R](#), [VE2812PR](#) or future ATEN HDBaseT Receivers
- Plug-and-play
- LED indication of sources and device status
- Built- in 8KV / 15 KV ESD protection

Specifications

Video Input	
Interfaces	1 x HDMI Type A Female (Black) 1 x HDB-15 (VGA) Female (Blue)
Impedance	HDMI: 100 Ω HDB-15 (VGA): 75 Ω
Max. Distance	HDMI: 3 m HDB-15(VGA): 10m
Video	
Max. Data Rate	10.2Gbps (3.4Gbps per lane)
Max. Pixel Clock	340 MHz
Compliance	HDMI (3D, Deep Color, 4K) HDCP2.2 Compatible Consumer Electronics Control (CEC)
Max. Resolutions / Distance	HDMI: Up to 4K@70m (Cat 5e/6) / 100m (Cat 6a/ATEN 2L-2910 Cat6); 1080p@100m (Cat 5e/6/6a) VGA: Up to 1920x1200 & 1600x1200@70m (Cat 5e/6) / 100m (Cat 6a/ATEN 2L-2910 Cat6); 1920x1080@100m (Cat 5e/6/6a) *4K supported: 4096 x 2160 / 3840 x 2160 @ 60Hz (4:2:0); 4096 x 2160 / 3840 x 2160 @ 30Hz (4:4:4)
Audio	
Input	1 x HDMI Type A Female (Black) 1 x Mini Stereo Jack Female (Green)
Control	
RS-232	Connector: 1 x Terminal Block, 3 pole (Green) Baud Rate: 19200, Data Bits:8, Stop Bits:1, no parity and flow control
IR	1 x Mini Stereo Jack Female (Black)
Switches	
Video Input Port Selection	1 x Push Button - HDMI, VGA and AUTO
Long Reach Mode Switch	1 x Slide Switch - ON/OFF

Firmware Upgrade	1 x Slide Switch - ON/OFF
Connectors	
Unit To Unit	1 x RJ-45 Female
Power	1 x Terminal Block, 2 pole (Green) or 1 x RJ-45 Female (POH)
Power Consumption	DC5V:3.04W:14BTU/h POH:3.8W:18BTU/h Note: <ul style="list-style-type: none"> ● The measurement in Watts indicates the typical power consumption of the device with no external loading. ● The measurement in BTU/h indicates the power consumption of the device when it is fully loaded.
Environmental	
Operating Temperature	0 - 40°C
Storage Temperature	-20 - 60°C
Humidity	0 - 80% RH, Non-Condensing
Physical Properties	
Housing	Metal
Weight	0.21 kg (0.46 lb)
Dimensions (L x W x H)	10.42 x 8.79 x 5.19 cm (4.1 x 3.46 x 2.04 in.)
Faceplate Dimensions (L x W x H)	11.43 x 11.43 x 0.65 cm (4.5 x 4.5 x 0.26 in.)
Note	For some of rack mount products, please note that the standard physical dimensions of WxDxH are expressed using a LxWxH format.

Diagram



ATEN International Co., Ltd.

3F., No.125, Sec. 2, Datong Rd., Sijhih District., New Taipei City 221, Taiwan
 Phone: 886-2-8692-6789 Fax: 886-2-8692-6767
 www.aten.com E-mail: marketing@aten.com



© Copyright 2015 ATEN® International Co., Ltd.
 ATEN and the ATEN logo are trademarks of ATEN International Co., Ltd.
 All rights reserved. All other trademarks are the property of their respective owners.