

CE920

USB DisplayPort HDBase™ 2.0 KVM Extender (4K@100 m)



The ATEN CE920 USB DisplayPort HDBase™ 2.0 KVM Extender integrates the latest HDBase™ 2.0 technologies to deliver 4K video, stereo audio, USB, Ethernet*, and RS-232 signals up to 100 meters using a single Cat6 / [2L-2910](#) Cat 6 cable. The HDBase™ 2.0 guarantees the most reliable transmission on the market as well as enables the long-reach capability that extends full HD 1080P signals up to 150 meters. With an easy cable installation supporting various signals, the CE920 is ideal for applications where convenient remote access is required – such as transportation control centers, medical facilities, industrial warehouses, and extended workstations.

Note: The CE920-AT supports Ethernet function and the CE920-ATA does not.



Features

- Supports HDBase™ 2.0 technology
 - Extends video, audio, USB, RS-232, and Ethernet ¹ signals via a single Cat6 / 6a / [2L-2910](#) Cat 6 cable
 - Enhanced bit error detection and correction to resist signal interference during high-quality video transmissions
 - Status detection and LED indication for HDBase™ signal transmission on remote unit
- EDID Buffer for smooth power-up and the highest quality display
- Long distance with superior video quality
 - HDBase™ Standard mode up to 4K @ 100m (Cat 6 / 6a / [2L-2910](#))
 - HDBase™ Long-Reach mode up to 1080P @ 150m
- Long Reach mode switch – switches between HDBase™ Standard and Long Reach modes in a snap
- USB 2.0 full speed ports – ensures fast transmission speeds for peripherals
- HDCP Compatible
- Supports individual 2-channel stereo audio for high-quality audio applications
- Supports PC wakeup function via single pushbutton through RS-232 channel ²
- Built-in 8KV / 15KV ESD protection (Contact voltage 8KV; Air voltage 15KV)

Note:

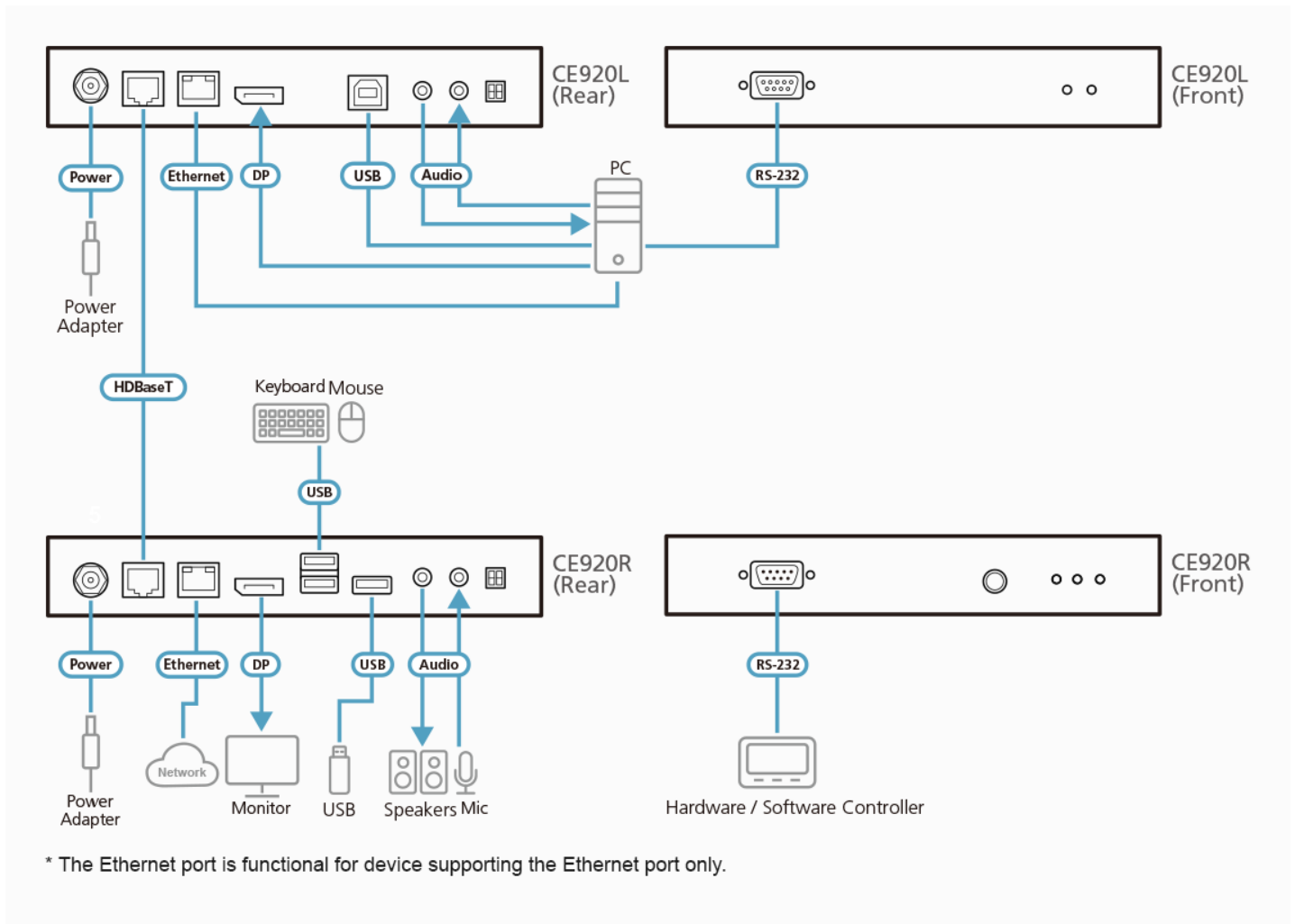
1. The CE920-AT supports Ethernet function, and the CE920-ATA does not.
2. The computer has to support Wake Up Ring for this function to work.

Specifications

Function	CE920L	CE920R
Connectors		
Console Ports	N/A	1 x DisplayPort Female (Black) 3 x USB Type A Female 1 x Mini Stereo Jack Female (Green) 1 x Mini Stereo Jack Female (Pink) 1 x RJ-45 Female (Black) Note: The RJ-45 ports is functional for device supporting the Ethernet port

KVM Ports	1 x DisplayPort Female (Black) 1 x USB Type B Female (White) 1 x Mini Stereo Jack Female (Green) 1 x Mini Stereo Jack Female (Pink) 1 x RJ-45 Female (Black) Note: The RJ-45 ports is functional for device supporting the Ethernet port	N/A
RS-232	1 x DB-9 Female (Black)	1 x DB-9 Male (Black)
Power	1 x DC Jack with locking	1 x DC Jack with locking
Unit To Unit	1 x RJ-45 Female (Black)	1 x RJ-45 Female (Black)
LEDs		
Power	1 (Green)	1 (Green)
Link	1 (Orange)	1 (Orange)
Video Output	N/A	1 (Orange)
Switches		
Long Reach Mode Switch	1 x Slide Switch	1 x Slide Switch
Firmware Upgrade	1 x Slide Switch	1 x Slide Switch
Pushbuttons		
Wakeup button	N/A	1 x Push button
Video	Up to 4K@90m (Cat 5e) / 100m (Cat 6/6a/ATEN 2L-2910 Cat6) 1080P@100m (Cat 5e/6/6a) *4K supported: 4096 x 2160 / 3840 x 2160 @ 30Hz (4:4:4)	Up to 4K@90m (Cat 5e) / 100m (Cat 6/6a/ATEN 2L-2910 Cat6) 1080P@100m (Cat 5e/6/6a) *4K supported: 4096 x 2160 / 3840 x 2160 @ 30Hz (4:4:4)
Power Consumption	DC5V:3.99W:19BTU Note: ● The measurement in Watts indicates the typical power consumption of the device with no external loading. ● The measurement in BTU/h indicates the power consumption of the device when it is fully loaded.	DC5V:6.74W:47BTU Note: ● The measurement in Watts indicates the typical power consumption of the device with no external loading. ● The measurement in BTU/h indicates the power consumption of the device when it is fully loaded.
Environmental		
Operating Temperature	0–40°C	0–40°C
Storage Temperature	-20–60°C	-20–60°C
Humidity	0–80% RH, Non-condensing	0–80% RH, Non-condensing
Physical Properties		
Housing	Metal	Metal
Weight	0.63 kg (1.39 lb)	0.64 kg (1.41 lb)
Dimensions (L x W x H)	18.20 x 12.19 x 2.87 cm (7.17 x 4.8 x 1.13 in.)	18.20 x 12.19 x 2.87 cm (7.17 x 4.8 x 1.13 in.)
Note	DisplayPort v1.1 supports up to 4Kx2K @ 30Hz. The CE920-AT supports Ethernet function and the CE920-ATA does not.	DisplayPort v1.1 supports up to 4Kx2K @ 30Hz. The CE920-AT supports Ethernet function and the CE920-ATA does not.
Note	For some of rack mount products, please note that the standard physical dimensions of WxDxH are expressed using a LxWxH format.	

Diagram



ATEN International Co., Ltd.

3F, No. 125, Sec. 2, Datong Rd., Sijhih District., New Taipei City 221, Taiwan
 Phone: 886-2-8692-6789 Fax: 886-2-8692-6767
 www.aten.com E-mail: marketing@aten.com

© Copyright 2015 ATEN® International Co., Ltd.
 ATEN and the ATEN logo are trademarks of ATEN International Co., Ltd.
 All rights reserved. All other trademarks are the property of their respective owners.