

## CE920L

USB DisplayPort HDBase™ 2.0 KVM Extender (Local Unit) (4K@100)



The ATEN [CE920](#) USB DisplayPort HDBase™ 2.0 KVM Extender integrates the latest HDBase™ 2.0 technologies to deliver 4K video, stereo audio, USB, Ethernet\*, and RS-232 signals up to 100 meters using a single Cat6 / [2L-2910](#) Cat 6 cable. The HDBase™ 2.0 guarantees the most reliable transmission on the market as well as enables the long-reach capability that extends full HD 1080P signals up to 150 meters. With an easy cable installation supporting various signals, the [CE920](#) is ideal for applications where convenient remote access is required – such as transportation control centers, medical facilities, industrial warehouses, and extended workstations.

\* Note: The CE920L-AT supports Ethernet function and the CE920L-ATA does not.



### Features

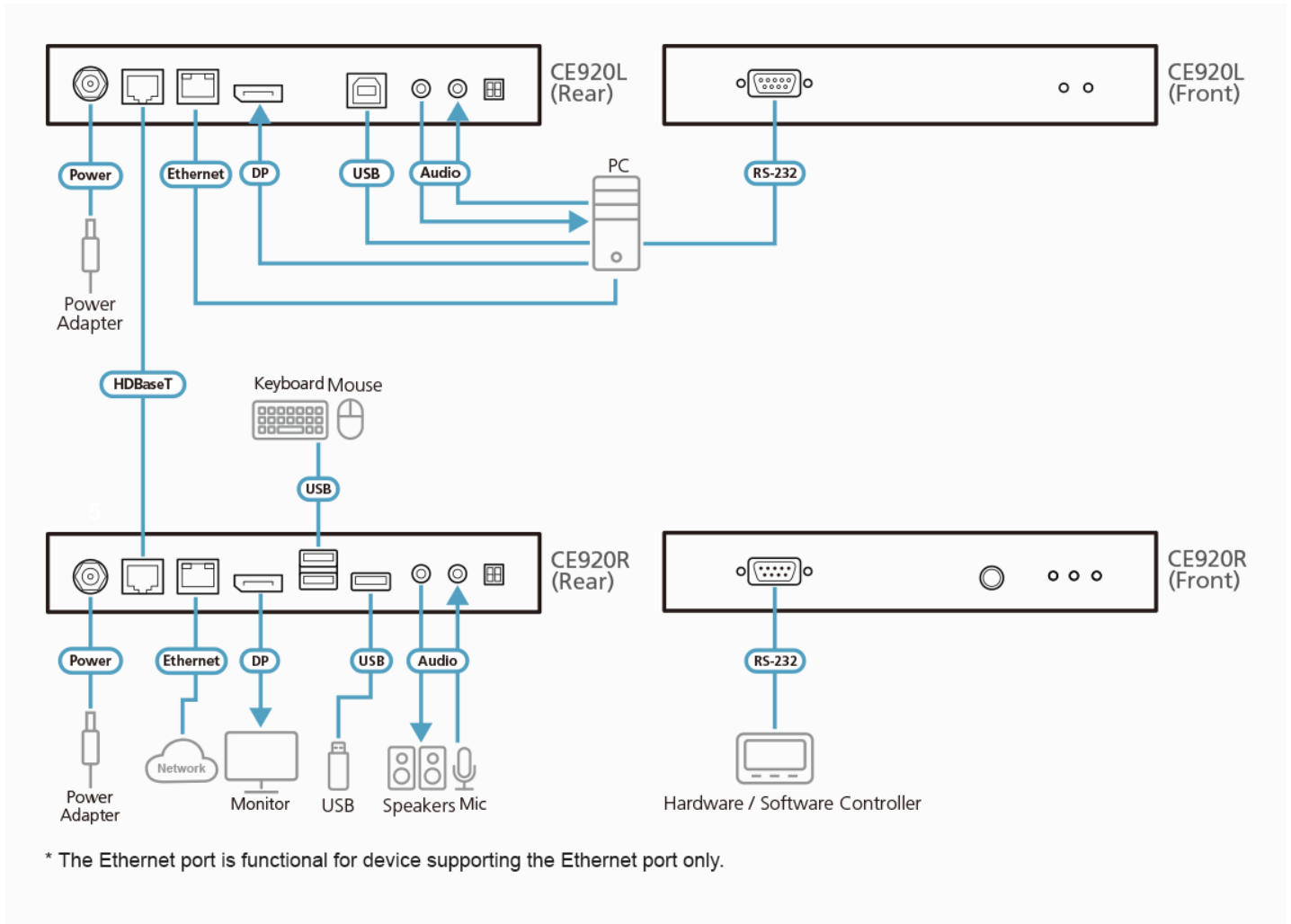
- Supports HDBase™ 2.0 technology
  - Extends video, audio, USB, RS-232, and Ethernet<sup>1</sup> signals via a single Cat6 / 6a / [2L-2910](#) Cat 6 cable
  - Enhanced bit error detection and correction to resist signal interference during high-quality video transmissions
  - Status detection and LED indication for HDBase™ signal transmission on remote unit
- EDID Buffer for smooth power-up and the highest quality display
- Long distance with superior video quality
  - HDBase™ Standard mode up to 4K @ 100m (Cat 6 / 6a / [2L-2910](#))
  - HDBase™ Long-Reach mode up to 1080P @ 150m
- Long Reach mode switch – switches between HDBase™ Standard and Long Reach modes in a snap
- USB 2.0 full speed ports – ensures fast transmission speeds for peripherals
- HDCP Compatible
- Supports individual 2-channel stereo audio for high-quality audio applications
- Supports PC wakeup function via single pushbutton
- Built-in 8KV / 15KV ESD protection (Contact voltage 8KV; Air voltage 15KV)

Note: 1. The [CE820](#)-AT supports Ethernet function, and the [CE820](#)-ATA does not.

Specifications

Connectors	
Console Ports	N/A
KVM Ports	1 x DisplayPort Female (Black) 1 x USB Type B Female (White) 1 x Mini Stereo Jack Female (Green) 1 x Mini Stereo Jack Female (Pink) 1 x RJ-45 Female (Black)  Note: The RJ-45 ports is functional for device supporting the Ethernet port
RS-232	1 x DB-9 Female (Black)
Power	1 x DC Jack with locking
Unit To Unit	1 x RJ-45 Female (Black)
LEDs	
Power	1 (Green)
Link	1 (Orange)
Video Output	N/A
Switches	
Long Reach Mode Switch	1 x Slide Switch
Firmware Upgrade	1 x Slide Switch
Pushbuttons	
Wakeup button	N/A
Video	Up to 4K@90m (Cat 5e) / 100m (Cat 6/6a/ATEN 2L-2910 Cat6) 1080P@100m (Cat 5e/6/6a) *4K supported: 4096 x 2160 / 3840 x 2160 @ 30Hz (4:4:4)
Power Consumption	DC5V:3.99W:19BTU/h  Note: <ul style="list-style-type: none"> <li>● The measurement in Watts indicates the typical power consumption of the device with no external loading.</li> <li>● The measurement in BTU/h indicates the power consumption of the device when it is fully loaded.</li> </ul>
Environmental	
Operating Temperature	0–40°C
Storage Temperature	-20–60°C
Humidity	0–80% RH, Non-condensing
Physical Properties	
Housing	Metal
Weight	0.63 kg ( 1.39 lb )
Dimensions (L x W x H)	18.20 x 12.19 x 2.87 cm (7.17 x 4.8 x 1.13 in.)
Note	DisplayPort v1.1 supports up to 4Kx2K @ 30Hz. The CE920L-AT supports Ethernet function and the CE920L-ATA does not.
Note	For some of rack mount products, please note that the standard physical dimensions of WxDxH are expressed using a LxWxH format.

Diagram



**ATEN International Co., Ltd.**

3F, No. 125, Sec. 2, Datong Rd., Sijhih District., New Taipei City 221, Taiwan  
 Phone: 886-2-8692-6789 Fax: 886-2-8692-6767  
 www.aten.com E-mail: marketing@aten.com

© Copyright 2015 ATEN® International Co., Ltd.  
 ATEN and the ATEN logo are trademarks of ATEN International Co., Ltd.  
 All rights reserved. All other trademarks are the property of their  
 respective owners.