

PE6208

20A/16A 8-Outlet 1U Metered & Switched eco PDU

(PE6208A)



- 8 outlets
- 20A (UL derated 16A) / 16A
- PDU Power Measurement

The PE6208 eco PDU is intelligent PDUs that contains 8 AC outlets and is available in various IEC or NEMA socket configurations. It provides secure, centralized, intelligent, power management (power on, off, cycle) of data center IT equipment (servers, storage systems, KVM switches, network devices, serial data devices, etc.), as well as the ability to monitor the center's health environment via sensors*.

The eco PDUs offer remote power control combined with real-time power measurement - allowing you to control and monitor the power status of devices attached to the PDUs at the PDU device level from practically any location via a TCP/IP connection.

The eco PDU supports any 3rd party v3 SNMP Manager Software and the [eco DC](#) (Energy Management Web GUI). The [eco DC](#) provides you with an easy method for managing multiple devices, offering an intuitive and user-friendly Graphical User Interface that allows you to configure a PDU device and monitor power status of the equipment connected to it. With the [eco DC](#), the Sensor-enabled eco PDU also offers comprehensive power analysis reports which can separate by departments and locations, providing precise measurements of current, voltage, power and watt-hour in a real-time display.

With its advanced security features and ease of operation, the eco PDU is the most convenient, most reliable, and most cost effective way to remotely manage power access for multiple computer installations and allocate power resources in the most efficient way possible.

Note: Sensors are optional accessories. A sensor-enabled installation is required to generate a more complete energy-efficient data and chart. Higher sensor installation density is helpful to generate more accurate data.

Model	Power Cord (IEC C19 to)	Outlets	Monitoring Level
PE6208A	NEMA 5-20P	NEMA 5-20R	PDU
PE6208B	NEMA 6-20P	IEC C13 / C19	PDU
PE6208G	IEC C20	IEC C13 / C19	PDU

Features

• Power Distribution

- Space saving 1U rack mount design with rear mounting
- IEC or NEMA outlet models
- 3 digit 7-segment front panel LED shows Current / IP Address
- Remote users can monitor outlet status via web pages on their browsers
- [Safe shutdown support](#)
- Separate power for the unit's own power and its power outlets. The user interface is still accessible even when an overload condition trips the devices' circuit breaker

• Remote Access

- Remote power control via TCP/IP and a built in 10/100 Ethernet port
- Network Interfaces: TCP/IP, UDP, HTTP, HTTPS, SSL, SMTP, DHCP, NTP, DNS, 10Base-T/100Base-TX, auto sense, Ping, Telnet
- eco PDU Power Management software – [eco DC](#)
- Supports SNMP Manager V3

• Operation

- Remote power outlet control (On, Off, Power Cycle) by individual outlets
- Power-on sequencing – users can set the power on sequence and delay time for each port to allow equipment to be turned on in the proper order
- Easy setup and operation via a browser-based user interface
- Multibrowser support (IE, Firefox, Chrome, Safari)
- RTC support to keep the timer running during times of no power.
- Supports up to 8 user and 1 administrator accounts
- Proactive Overload Protection (POP) – automatically powers off outlets in the user-defined sequence when a current overload occurs in protecting the powered devices

• Management

- Power status measurement at the PDU level
- LED indicators for current and IP address at the PDU device level
- [Real-time current, voltage, and kWh displayed in a browsed-based UI for monitoring at the PDU level](#)
- Current and voltage threshold setting
- Naming support for outlets
- User outlet access assignment on an outlet-by-outlet basis.
- Event logging and syslog support
- Upgradeable firmware
- Multilanguage support: English, German, Traditional Chinese, Simplified Chinese, Japanese, French, Spanish, Italian

• Security

- Two-level password security
- Strong security features include password protection and advanced encryption technologies – 128 bit SSL
- Remote authentication support: RADIUS

• [eco DC Energy Management Software](#)

- Automatic discovery of all PE devices within the same intranet
- Remote real-time power measurement and monitoring
- Remote real-time power outlet management*
- Remote real-time environment sensor monitoring
- Plotting/Monitoring of all PE devices
- Exceed threshold alert through SMTP and Syslog
- Power Analysis Report

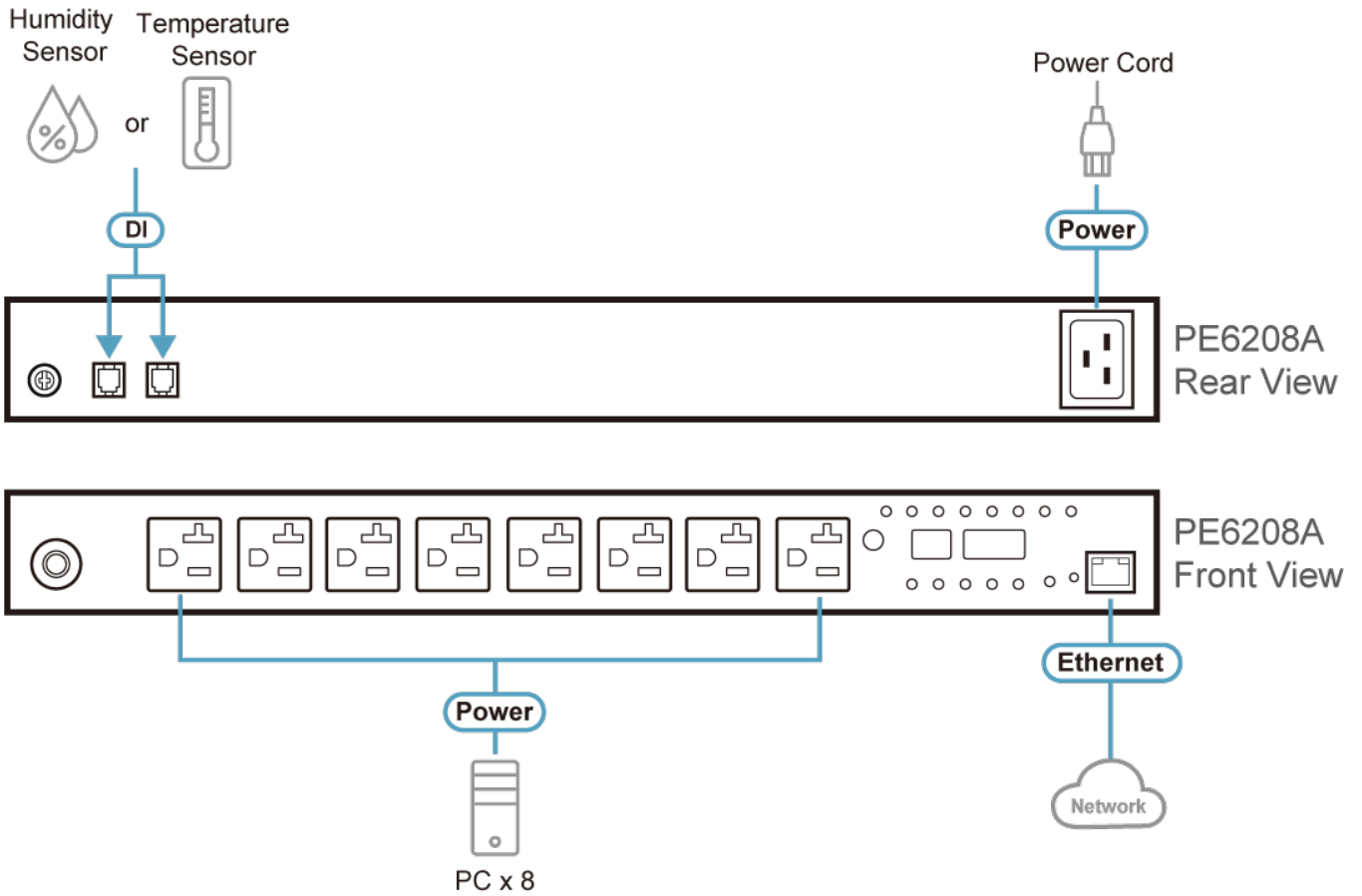
• [Features available only on firmware-upgraded models with -ATB part number](#)

- Supports SMPTS, IPv6, Modbus (Over TCP/IP), Auto Ping, TLS1.2, SSH
- Supports IEEE 802.1X
- Authentication: LDAP, TACACS+
- UI – heartbeat.schedule control, mail control, and setting rule

Specifications

Function	PE6208A	PE6208B	PE6208G
Electrical			
Nominal Input Voltage	100 – 120 VAC	100 – 240 VAC	100 – 240 VAC
Maximum Input Current	20A Max; 16A(UL de-rated)	20A Max; 16A(UL de-rated)	16A Max
Input Frequency	50-60 Hz	50-60 Hz	50-60 Hz
Input Connection	PE6208A-ATA-A : NEMA 5 -20P PE6208A-ATA-J : NEMA L5-20P	PE6208B-ATA-B : NEMA 6 -20P PE6208B-ATA-J : NEMA L6 -20P	IEC 60320 C20
Input Power	2400 VA(Max); 1920 VA(UL de-rated)	4160 VA(Max); 3328 VA(UL de-rated)	3680 VA(Max)
Outlet Type	Total : 8 x NEMA 5-20R	Total : 7 x IEC320 C13 + 1 x IEC320 C19	Total : 7 x IEC320 C13 + 1 x IEC320 C19
Nominal Output Voltage	100 – 120 VAC	100 – 240 VAC	100 – 240 VAC
Maximum Output Current (Outlet)	NEMA 5-20R: 20A(Max); 16A(UL de-rated)	C13: 15A(Max); 12A(UL de-rated) C19: 20A(Max); 16A(UL de-rated)	C13: 10A(Max) C19: 16A(Max)
Maximum Output Current (Bank)	20A(Max); 16A(UL de-rated)	20A(Max); 16A(UL de-rated)	16A(Max)
Maximum Output Current (Total)	20A(Max); 16A(UL de-rated)	20A(Max); 16A(UL de-rated)	16A(Max)
Breakers	1 x 20A Non-Fuse Breaker	1 x 20A Non-Fuse Breaker	1 x 16A Non-Fuse Breaker
Metering	Bank level Current, Voltage, VA , PF and KWh Monitoring	Bank level Current, Voltage, VA , PF and KWh Monitoring	Bank level Current, Voltage, VA , PF and KWh Monitoring
Outlet Switching	Yes	Yes	Yes
Environment Sensor Ports	2	2	2
Metering Accuracy	Voltage Range: 100VAC ~ 250VAC +/-1% Power Range: 100W ~ Maximum Capacity +/- 2% Current Range: 0.1A~1A +/- 0.1A, 1A~20A +/- 1%	Voltage Range: 100VAC ~ 250VAC +/-1% Power Range: 100W ~ Maximum Capacity +/- 2% Current Range: 0.1A~1A +/- 0.1A, 1A~20A +/- 1%	Voltage Range: 100VAC ~ 250VAC +/-1% Power Range: 100W ~ Maximum Capacity +/- 2% Current Range: 0.1A~1A +/- 0.1A, 1A~20A +/- 1%
Physical Properties			
Dimensions (L x W x H)	43.24 x 22.04 x 4.40 cm (17.02 x 8.68 x 1.73 in.)	43.24 x 22.04 x 4.40 cm (17.02 x 8.68 x 1.73 in.)	43.24 x 22.04 x 4.40 cm (17.02 x 8.68 x 1.73 in.)
Weight	2.79 kg (6.15 lb)	2.79 kg (6.15 lb)	2.79 kg (6.15 lb)
Power Cord Length	3 m	3 m	3 m
Environmental			
Temperature (Operating / Storage)	0 – 50°C / -20 – 60°C	0 – 50°C / -20 – 60°C	0 – 50°C / -20 – 60°C
Humidity (Operating & Storage)	0 – 80% RH, Non-Condensing	0 – 80% RH, Non-Condensing	0 – 80% RH, Non-Condensing
Compliance			
EMC Verification	FCC, Others by Request	FCC, Others by Request	CE, Others by Request
Safety Verification	TUV-CB, cTUVus, UL, Others by Request	TUV-CB, cTUVus, UL, Others by Request	TUV-CB, CE-LVD, Others by Request
Note	For some of rack mount products, please note that the standard physical dimensions of WxDxH are expressed using a LxWxH format.		

Diagram



ATEN International Co., Ltd.

3F., No.125, Sec. 2, Datong Rd., Sijhih District., New Taipei City 221, Taiwan
Phone: 886-2-8692-6789 Fax: 886-2-8692-6767
www.aten.com E-mail: marketing@aten.com



© Copyright 2015 ATEN® International Co., Ltd.
ATEN and the ATEN logo are trademarks of ATEN International Co., Ltd.
All rights reserved. All other trademarks are the property of their respective owners.