

UC232A1

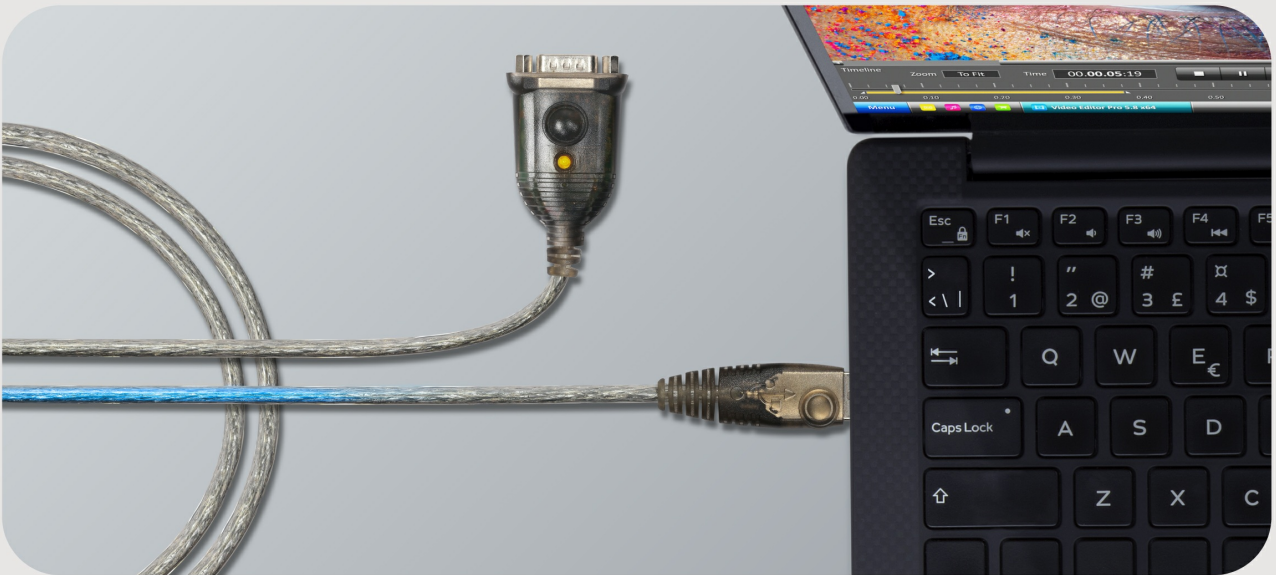
USB to RS-232 Adapter (1 m)



USB-A to Serial Adapter

USB-A to RS-232 Adapter 1m UC232A1

 USB-A	 RS-232	 Anti-EMI
-----------	------------	--------------



Compatible with
Windows 10, 8, 7 / macOS / Linux

Multi-System Support

The UC232A1 is compatible with multiple operating systems, such as macOS, Linux, and Windows 7/8/10.

Stable Performance, Fast Transmission

The UC232A1 offers USB 2.0 connectivity and is equipped with a robust cable that ensures proven anti-EMI performance for reliable signal transmission at speeds of up to 921.6 Kbps baud rate.



USB-A



Laptop



PC

RS-232



Modem



Printer



Network Switch



Scanner



PLC Controller



POS



Broadly Compatible with Serial Devices

The UC232A1 allows your PC or laptop to control and communicate with various RS-232 serial devices such as modem, network switch, PLC controller, printer, scanner, POS and so on.

Applications

- 1.
- 2.
- 3.
- 4.



Barcode Scanning



POS Terminal



PLC Programming



Medical / Scientific Instrument

[Previous](#) [Next](#)

Product Comparison

The UC232 lineup is well-suited for a variety of applications including industrial automation, IT networking, and control systems.

*Notes: Models equipped with FTDI chip provide better signal transmission with legacy Windows OS.

Talk to Our Experts

If you prefer to have ATEN contact you, please complete the form and a representative will be in touch with you shortly

First Name *

Last Name *

- Country *

Company *

Email *

Phone Number *

- Customer Type *

Job Title *

USB 2.0

RS-232 Functionality

Bus-Powered

Easy Installation

Features

The [UC232A](#) series USB-to-RS232 serial port converter is the ideal accessory for laptop and desktop computers that do not have a COM or DB9 serial port. Supporting both PC and Mac systems with baud rates up to 921.6 Kbps for rapid performance, it offers a convenient connectivity solution for industrial automation systems, scientific instruments, point of sale systems, and other specialized industrial and consumer applications.

The [UC232A](#) now supports mobile devices as a computing host (Android 3.2 and above). The [UC232A](#) SDK is available for download in the Support and Downloads section.

NOTICE

If your Linux kernel is between v2.6.15 ~ v5.4 and your device has a new chipset version, please update the Linux driver

Note: This driver works with 2021 or later chipset version device only.

Use the link below to identify which chipset version your device is

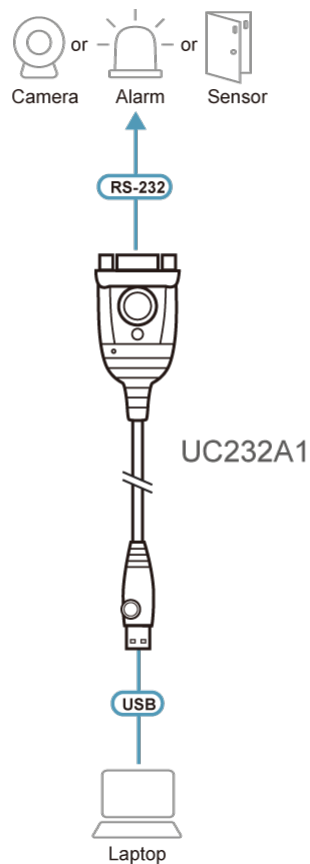
<https://eservice.aten.com/eServiceCx/Common/FAQ/view.do?id=18695>

- Supports RS-232 serial interface
- Proven performance in anti-electromagnetic interference (anti-EMI) capability for stable transmission performance
- Full compliance with USB specifications
- Up to 921.6 Kbps data transfer rate
- OS Compatibility: Windows, Mac, and Linux
- Works with cellular phones, PDAs, digital cameras, modems, and ISDN terminal adapters
- A trustworthy connectivity solution recommended and adopted by leading enterprises worldwide

Specifications

Connectors	
USB Port	1 x USB Type A Male (White)
Serial	1 x DB-9 Male (Silver)
Data Rate	Up to 921.6 Kbps
Cable Length	1m
LEDs	Power (Orange)
Power Mode	Bus Powered
USB Specification	USB compliant
Power Consumption	DC5V:0.155W:1BTU/h Note: ● The measurement in Watts indicates the typical power consumption of the device with no external loading. ● The measurement in BTU/h indicates the power consumption of the device when it is fully loaded.
Environmental	
Operating Temperature	0-40°C
Storage Temperature	-20-60°C
Humidity	0-80% RH, Non-condensing
Physical Properties	
Housing	Plastic
Weight	0.06 kg (0.13 lb)
Dimensions (L x W x H)	6.59 x 3.40 x 1.60 cm (2.59 x 1.34 x 0.63 in.)
Note	For some of rack mount products, please note that the standard physical dimensions of WxDxH are expressed using a LxWxH format.

Diagram





Simply Better Connections

ATEN International Co., Ltd.

3F., No.125, Sec. 2, Datong Rd., Sijhih District., New Taipei City 221, Taiwan
Phone: 886-2-8692-6789 Fax: 886-2-8692-6767
www.aten.com E-mail: marketing@aten.com



© Copyright 2015 ATEN® International Co., Ltd.
ATEN and the ATEN logo are trademarks of ATEN International Co., Ltd.
All rights reserved. All other trademarks are the property of their
respective owners.