

VE66DTH

6 x 6 Dante Audio Interface with HDMI



ATEN VE66DTH is a Dante-enabled six input / six output Audio Interface with HDMI. Using Dante – the most popular audio networking solution created by Audinate, the VE66DTH is capable of delivering, closeto-zero latency digital audio signals across the standard IP network. The VE66DTH transmits and receives up to 6-channel of audio inputs and outputs via a Dante network. As a pre-amplifier, the VE66DTH supports not only balanced and unbalanced line-level input, but also microphone-level input. Additionally, the device can provide 48V phantom power for condenser microphones. With its built-in PoE (Power over Ethernet), the VE66DTH can be powered by a compatible PSE device through Ethernet cable. Moreover, the VE66DTH provides flexible audio capability with audio de-embedding and embedding. It can de-embed HDMI stereo audio signals to the Dante networking system and embed Dante audio signals into the HDMI output.

The VE66DTH is tailor-made to a wide range of environments, such as conference centers, concert halls, entertainment facilities or wherever that requires implantation of Dante-based professional audio devices for extended and flexible networked AV applications. Users of the VE66DTH can benefit from improved system performance, reduction in cabling and more to installations of all sizes.

[* Download Dante Controller](#)



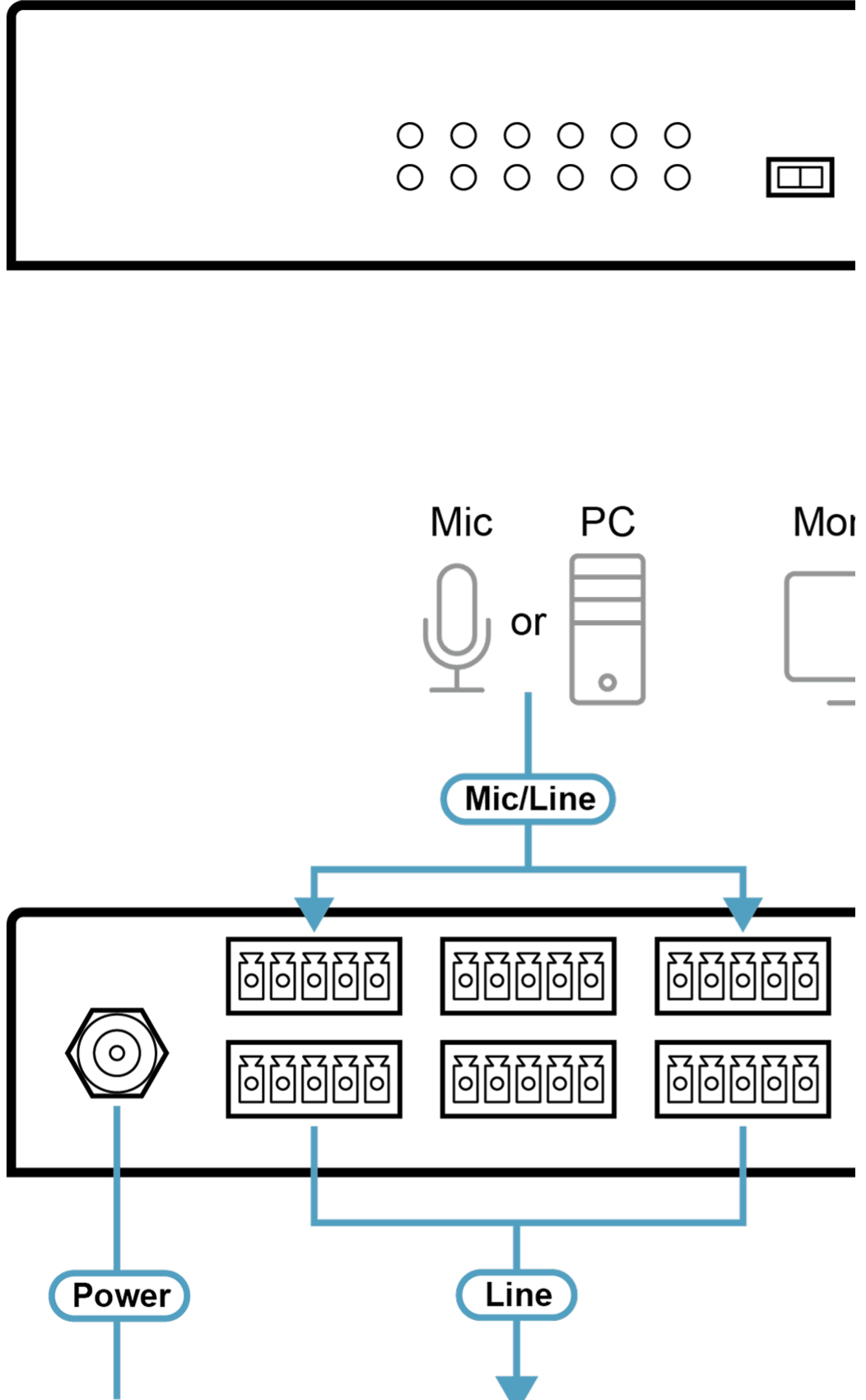
Features

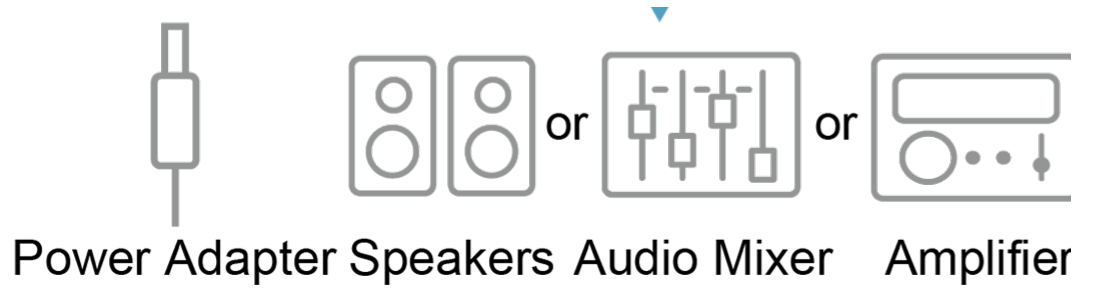
- Features Dante networked audio interface – a complete audio networking solution that distributes, multi-channel audio transmission via standard Ethernet networks, with near-zero latency and perfect synchronization
- Integrates up to 6-channel balanced mono audio MicLine input signals onto a Dante-enabled audio system and supports both dynamic and condenser microphones
- Provides 48V Phantom power supply to condenser microphones
- AES67 support
- Easy to use and set up – User can use "Dante Controller" for the simple setup
- Delivers up to 6-channel balanced mono audio Line outputs from the Dante network to the audio system
- Supports HDMI input with HDCP 2.2 compliant – the HDMI input can de-embed HDMI stereo audio to the Dante network
- Supports HDMI local output – the VE66DTH can embed the Dante audio into HDMI output
- Supports PoE – power can be supplied by a compatible PSE device through Ethernet cable

Specifications

Audio Inputs	
Interfaces	<p>Line/Mic Input: 3 x 3.5 mm Euroblock connector, 5 pole; Analog mono, balanced Impedance: >6.8k ohms unbalanced; >13.6k ohms balanced Maximum level: 0dBV (1Vrms) Mic Pre-amp: +40 dB, balanced Phantom Power: +48V,10mA</p> <p>HDMI Input: HDMI Stereo Audio</p>
Audio Outputs	
Interfaces	<p>Line Output: 3 x 3.5 mm Euroblock connector, 5 pole; Analog mono, balanced Impedance: 50 ohms unbalanced, 100 ohms balanced Maximum level: 0dBV (1Vrms)</p> <p>HDMI Output: HDMI Stereo Audio</p>
Audio	
Format	<p>24-bit, Sampling Rate: 44.1, 48, 88.2, or 96 kHz Latency: Deterministic, based on user selection: 1.0 ms (default)</p> <p>Frequency response: 20Hz~20KHz, +/- 0.3dB THD + Noise: < -65dB (0.1%) (1KHz,1Vrms @ 0dBV) S/N: > 80dB (1KHz,1Vrms @ 0dBV) Cross Talk: < -50dB (15KHz,1Vrms @ 0dBV)</p>
Input	8 audio channels (6 x Analog Input & 1 x HDMI Stereo Audio)
Output	8 audio channels (6 x Analog output & 1 x HDMI Stereo Audio Embedded from HDMI/Dante)
Video Input	
Interfaces	1 x HDMI Type A female (Black)
Impedance	100 Ω
Max. Distance	1.8m
Video Output	
Interfaces	1 x HDMI Type A female (Black)
Impedance	100 Ω
Video	
Max. Resolution	Up to 4096 x 2160 / 3840 x 2160 @ 60Hz (4:4:4)
Compliance	HDMI (3D, Deep Color, 4K); 4K HDR HDCP 2.2 Compatible;
Control	
Ethernet	1 x RJ-45 Female (Silver) through Dante
Switches	
Video Output Port Selection	1 x Slide Switch - HDMI Output Audio Selection (From HDMI in / Dante / Off)
Selection	6 x DIP Switch - Mic Input Pre-Amp ON/OFF
Phantom power	6 x DIP Switch - Mic Input Phantom Power ON/OFF
Reset	1 x push button
Connectors	
Power	1 x DC Jack (Black) or 1 x RJ-45 Female (Silver) POE
Unit To Unit	1 x RJ-45 Female through Dante
Power Consumption	<p>DC5V:8.9W:41BTU/h POE:11.1W:52BTU/h</p> <p>Note: ● The measurement in Watts indicates the typical power consumption of the device with no external loading. ● The measurement in BTU/h indicates the power consumption of the device when it is fully loaded.</p>
Environmental	
Operating Temperature	0-40°C
Storage Temperature	-20 - 60°C
Humidity	0 - 80% RH, Non-Condensing
Physical Properties	
Housing	Metal
Weight	0.85 kg (1.87 lb)
Dimensions (L x W x H)	17.42 x 15.49 x 2.88 cm (6.86 x 6.1 x 1.13 in.)
Note	For some of rack mount products, please note that the standard physical dimensions of WxDxH are expressed using a LxWxH format.

Diagram





ATEN International Co., Ltd.

3F., No. 125, Sec. 2, Datong Rd., Sijhih District., New Taipei City 221, Taiwan
Phone: 886-2-8692-6789 Fax: 886-2-8692-6767
www.aten.com E-mail: marketing@aten.com



© Copyright 2015 ATEN® International Co., Ltd.
ATEN and the ATEN logo are trademarks of ATEN International Co., Ltd.
All rights reserved. All other trademarks are the property of their
respective owners.