

## VE811R

HDMI HDBaseT Receiver (4K@100m) (HDBaseT Class A)



The ATEN VE811R HDMI HDBaseT Extender guarantees the optimum 4K HDMI signal transmission across up to 100m via a single Cat 5e/6/6a or ATEN [2L-2910](#) Cat 6 cable. In addition, with the support for Long Reach Mode, it extends HDMI signals @ 1080p up to 150m via a single Cat 5e/6 cable. The VE811R meets HDMI specification features including 3D, Deep Color, HD lossless audio formats and CEC pass-through. Plus, it supports Dolby Digital 7.1 ch and DTS HD audio.

Pushing the technology and design to the limit, the compact design makes the VE811R easy to mount in any location. Engineered for today's digital trends, the VE811R is ideal for meeting rooms, or any setting that requires high quality HDMI video to be extended for great distances.



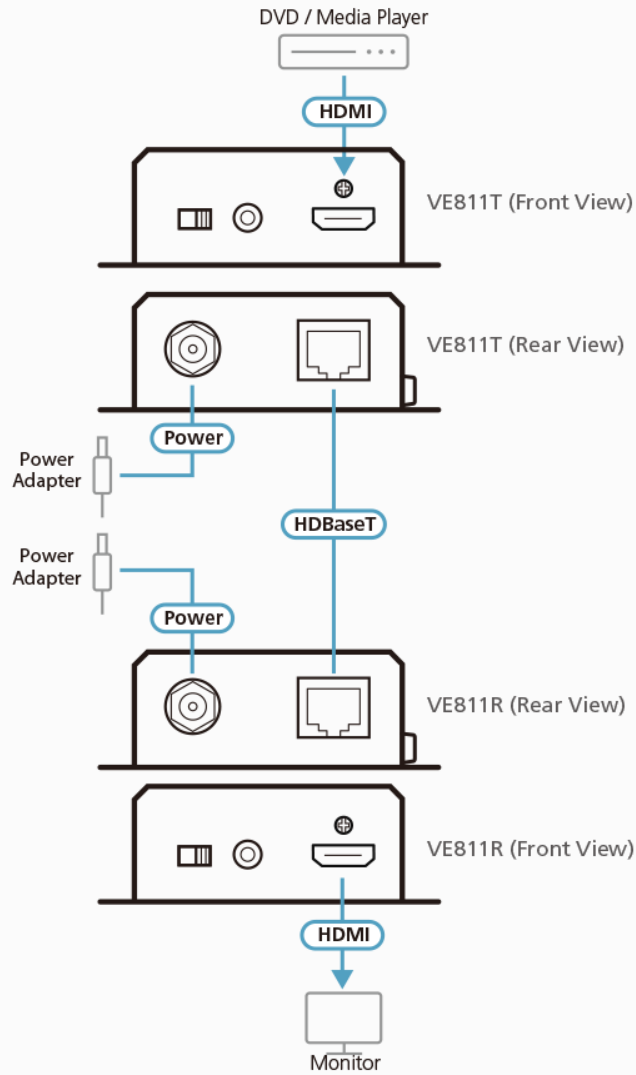
### Features

- HDBaseT connectivity – extends 4K HDMI signals up to 100m via a single Cat 5e/6/6a or ATEN [2L-2910](#) Cat 6 cable
- Supports HDBaseT Long Reach Mode – up to 150m via a single Cat 5e/6 cable at resolutions up to 1080p
- HDMI (3D, Deep Color, 4K)
- HDCP 2.2 compatible
- Supports resolutions of up to 4K and 1080p
- Consumer Electronic Control (CEC) allows interconnected HDMI devices to communicate and respond to a single remote control
- Supports wide screen format
- Plug and play – no software required
- Built-in 8kV / 15kV ESD protection
- Rack mountable

## Specifications

Video Output	
Interfaces	1 x HDMI Type A Female (Black)
Impedance	100 Ω
Max. Distance	3 m
Video	
Max. Data Rate	10.2Gbps (3.4Gbps per lane)
Max. Pixel Clock	340 MHz
Compliance	HDMI (3D, Deep Color, 4K) HDCP2.2 Compatible Consumer Electronics Control (CEC)
Max. Resolutions / Distance	Up to 4K@70m (Cat 5e/6) / 100m (Cat 6a/ATEN 2L-2910 Cat6); 1080p@100m (Cat 5e/6/6a) *4K supported: 4096 x 2160 / 3840 x 2160 @ 60Hz (4:2:0); 4096 x 2160 / 3840 x 2160 @ 30Hz (4:4:4)
Audio	
Output	1 x HDMI Type A Female (Black)
Connectors	
Unit To Unit	1 x RJ-45 Female
Firmware Upgrade	1 x Mini Stereo Jack Female (Black)
Power	1 x DC Jack (Black) with locking
Switches	
Long Reach Mode Switch	1 x Slide Switch - ON/OFF
Power Consumption	DC5V:3.84W:18BTU/h  Note: ● The measurement in Watts indicates the typical power consumption of the device with no external loading. ● The measurement in BTU/h indicates the power consumption of the device when it is fully loaded.
Environmental	
Operating Temperature	0 - 40°C
Storage Temperature	-20 - 60°C
Humidity	0 - 80% RH, Non-Condensing
Physical Properties	
Housing	Metal
Weight	0.17 kg ( 0.37 lb )
Dimensions (L x W x H) with bracket	8.64 x 7.30 x 2.47 cm (3.4 x 2.87 x 0.97 in.)
Dimensions (L x W x H) without bracket	8.20 x 5.20 x 2.37 cm (3.23 x 2.05 x 0.93 in.)

Diagram



**ATEN International Co., Ltd.**

3F, No.125, Sec. 2, Datong Rd., Sijhih District., New Taipei City 221, Taiwan  
Phone: 886-2-8692-6789 Fax: 886-2-8692-6767  
www.aten.com E-mail: marketing@aten.com



© Copyright 2015 ATEN® International Co., Ltd.  
ATEN and the ATEN logo are trademarks of ATEN International Co., Ltd.  
All rights reserved. All other trademarks are the property of their respective owners.