

VE812R

HDMI HDBaseT Receiver (4K@100m)
(HDBaseT Class A)



The VE812R HDMI HDBaseT Receiver enables an HDMI display to be located up to 100 meters away from the source device. It can be conveniently extended using only one Cat 5e cable, which is cost-effective.

The VE812R supports HDMI (3D, Deep Color), Ultra HD (4k x 2k), and is HDCP compatible. Furthermore, the remote EDID pass-through ensures optimum video quality for any HDMI display.

The VE812R is perfect for the meeting room, home theater or any installation that needs long distance transmission and superior video quality.



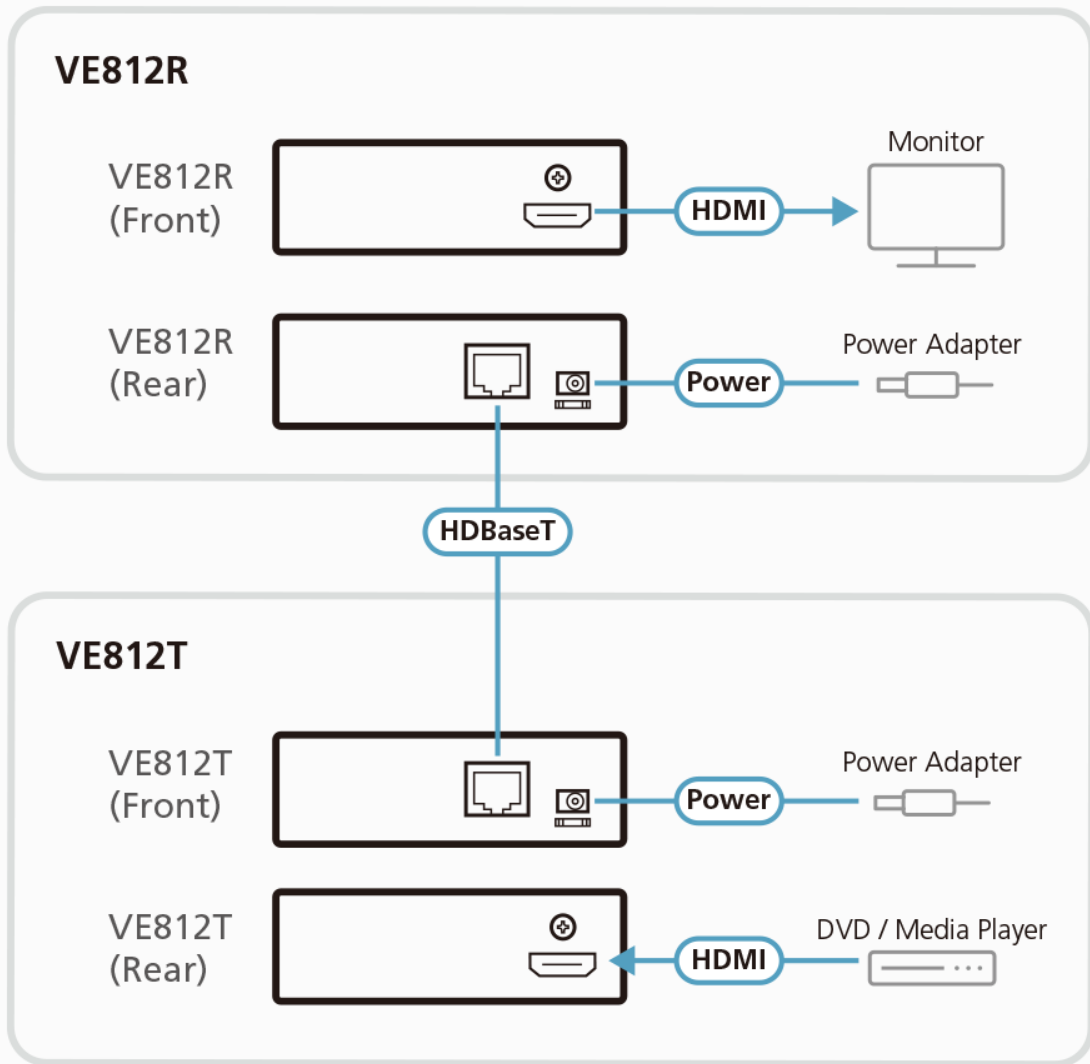
Features

- Extends the distance between HDMI source and HDMI display
- Implements HDBaseT extension technology using only one Cat 5e cable to connect the transmitter and receiver
- HDMI (3D, Deep Color, 4k); HDCP Compatible
- Anti-jamming – resists signal interference during high-quality video transmission using HDBaseT technology
- Long distance transmission - up to 100m
- Supports resolutions of up to Ultra HD 4kx2k and 1080p Full HD
- Supports up to 340MHz bandwidth for high performance video
- Supports Dolby True HD and DTS HD Master Audio
- Built-in 8KV / 15KV ESD protection (Contact voltage 8KV; Air voltage 15 KV)

Specifications

Video Output	
Interfaces	1 x HDMI Type A Female (Black)
Impedance	100 Ω
Max. Distance	3 m
Video	
Max. Data Rate	10.2 Gbps (3.4 Gbps Per Lane)
Max. Pixel Clock	Up to 340 MHz
Compliance	HDMI (3D, Deep Color, 4K) HDCP2.2 Compatible Consumer Electronics Control (CEC)
Max. Resolutions / Distance	Up to 4K@70m (Cat 5e/6) / 100m (Cat 6a); 1080p@100m *4K supported: 4096 x 2160 / 3840 x 2160 @ 60Hz (4:2:0); 4096 x 2160 / 3840 x 2160 @ 30Hz (4:4:4)
Audio	
Output	1 x HDMI Type A Female (Black)
Connectors	
Power	1 x DC Jack
Power Consumption	DC5.3V:5.06W:24BTU/h Note: ● The measurement in Watts indicates the typical power consumption of the device with no external loading. ● The measurement in BTU/h indicates the power consumption of the device when it is fully loaded.
Environmental	
Operating Temperature	0 - 50°C
Storage Temperature	-20 - 60°C
Humidity	0 - 80% RH, Non-Condensing
Physical Properties	
Housing	Metal
Weight	0.41 kg (0.9 lb)
Dimensions (L x W x H)	14.17 x 10.30 x 3.00 cm (5.58 x 4.06 x 1.18 in.)
Carton Lot	5 pcs
Note	For some of rack mount products, please note that the standard physical dimensions of WxDxH are expressed using a LxWxH format.

Diagram



ATEN International Co., Ltd.

3F, No.125, Sec. 2, Datong Rd., Sijhih District., New Taipei City 221, Taiwan
 Phone: 886-2-8692-6789 Fax: 886-2-8692-6767
 www.aten.com E-mail: marketing@aten.com



© Copyright 2015 ATEN® International Co., Ltd.
 ATEN and the ATEN logo are trademarks of ATEN International Co., Ltd.
 All rights reserved. All other trademarks are the property of their respective owners.