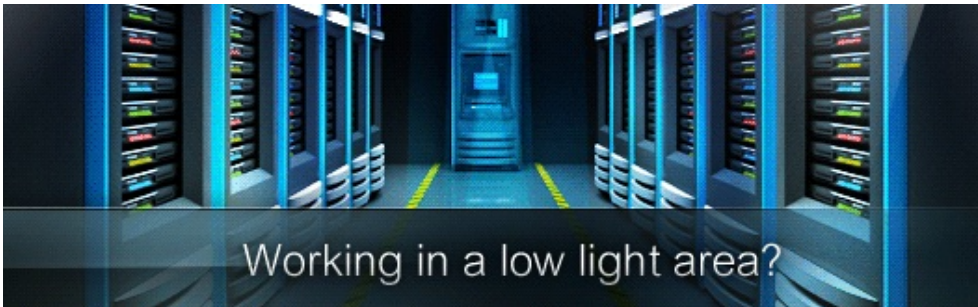


CL1000N

19" PS/2 VGA LCD Console



The CL1000N is a LCD KVM console that features an integrated 19" LED-backlit LCD panel, full keyboard, and touchpad in a 1U rackmountable housing. This model provides convenient 'at the rack' console access to KVM switches already installed at your site.



Features

- Exclusive LED illumination light - designed by ATEN to illuminate the keyboard and touchpad to allow visibility in low-light conditions
- Integrated KVM console with a 19" LED-backlit LCD monitor in a sliding housing with top and bottom clearance for smooth operation in a 1U high system rack
- LCD module rotates up to 115° for a more comfortable viewing angle
- Improved design – optional single person installation kit
- Compatible with most KVM switches
- Internal power supply
- High video resolution:
 - Up to 1280 x 1024 @75Hz
 - Supports DDC, DDC2, DDC2B
 - DDC emulation of the LCD monitor – Video settings of attached computers are automatically adjusted for optimal output to the LCD monitor
- Keyboard language support: English (US); English (UK); French; German; German (Swiss); Greek; Italian; Japanese; Hungarian; Korean; Spanish; Swedish; Traditional Chinese; Russian

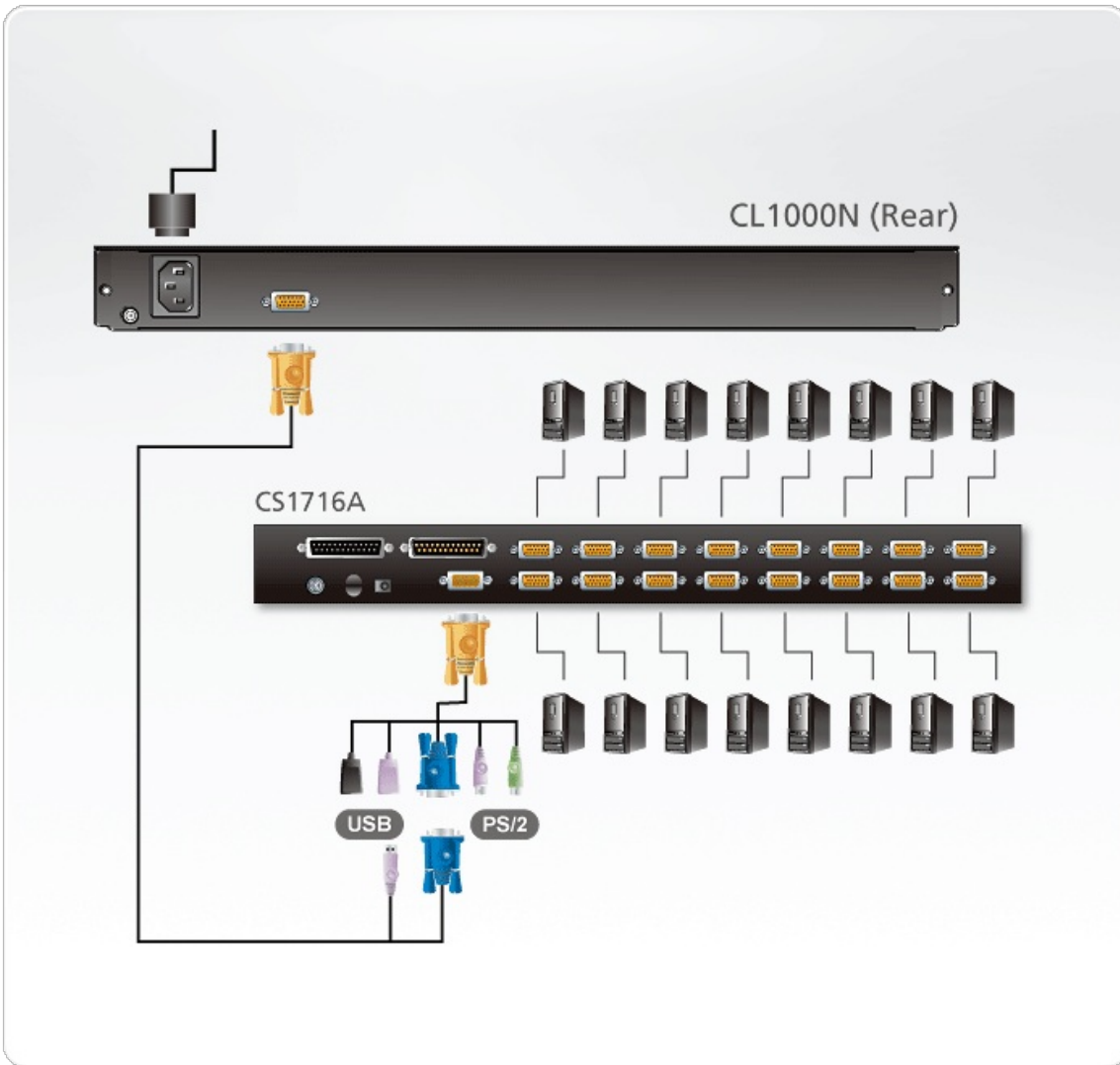
Specification

LCD Console

| | |
|----------------------------|--|
| Panel Spec | |
| LCD Module | 19" TFT-LCD |
| Pixel Pitch | 0.294 mm x 0.294 mm |
| Support Color | 16.7M colors |
| Contrast Ratio | 1000:1 |
| Luminance | 250 cd/m ² |
| Response time | 5 ms |
| Viewing Angle | 170° (H), 160° (V) |
| Connectors | |
| Console Ports | 1 x SPHD-15 Female (Yellow) |
| Power | 1 x 3-prong AC Socket |
| Switches | |
| LCD Adjustment | 4 x Pushbuttons |
| LCD Power | 1 x Pushbuttons |
| LEDs | |
| CPU | 1 (Green) |
| Num Lock | 1 (Green) |
| Caps Lock | 1 (Green) |
| Scroll Lock | 1 (Green) |
| Emulation | |
| Keyboard / Mouse | PS/2, USB (with 2L-52xxUP USB KVM cable) |
| Video | 1280 x 1024 @ 75 Hz ; DDC2B |
| Maximum Input Power Rating | 100-240 VAC; 50/60 Hz; 1A |
| Power Consumption | 120 V/23 W; 230 V/24 W |
| Environmental | |
| Operating Temperature | 0 - 50°C |
| Storage Temperature | -20 - 60°C |
| Humidity | 0 - 80% RH, Non-condensing |
| Physical Properties | |

| | |
|------------------------|---|
| Housing | Metal + Plastic |
| Weight | 11.06 kg (24.36 lb) |
| Dimensions (L x W x H) | 48.30 x 58.52 x 4.40 cm (19.02 x 23.04 x 1.73 in.) |
| Note | For some of rack mount products, please note that the standard physical dimensions of WxDxH are expressed using a LxWxH format. |

Diagram



ATEN International Co., Ltd.

3F, No.125, Sec. 2, Datong Rd., Sijhih District., New Taipei City 221, Taiwan
 Phone: 886-2-8692-6789 Fax: 886-2-8692-6767
 www.aten.com E-mail: marketing@aten.com



© Copyright 2015 ATEN® International Co., Ltd.
 ATEN and the ATEN logo are trademarks of ATEN International Co., Ltd.
 All rights reserved. All other trademarks are the property of their respective owners.