

2XRT-0015G

KVM over IP Access Control Box



The 2XRT-0015G KVM over IP Access Control Box allows users to enable or disable remote over IP control privilege by simply pressing a control button. When installed with the KVM over IP Series¹ Transmitter, the 2XRT-0015G allows users to quickly and effortlessly enable or disable control privilege from the Receiver, making operations only permitted to the user at the local console.²

It's fast and easy to set up the 2XRT-0015G. Simply plug the 2XRT-0015G's cables to the KVM over IP transmitter³. There is no need to install software or configure devices – just plug and play. In addition, the cable length of the 2XRT-0015G reaches 5 meters, enabling connection to the transmitter over longer distances for more flexible installation.

Note:

1. Please scroll down for more about compatible products.
2. The slide switch on the rear side of the KVM over IP Transmitter needs to be switched to the RS-232 Config / Access Control position.
3. Connect the RS-232 connector of the 2XRT-0015G to the RS-232 Port of the KVM over IP Transmitter and connect the USB connector of the 2XRT-0015G to a computer for USB bus-power supply.

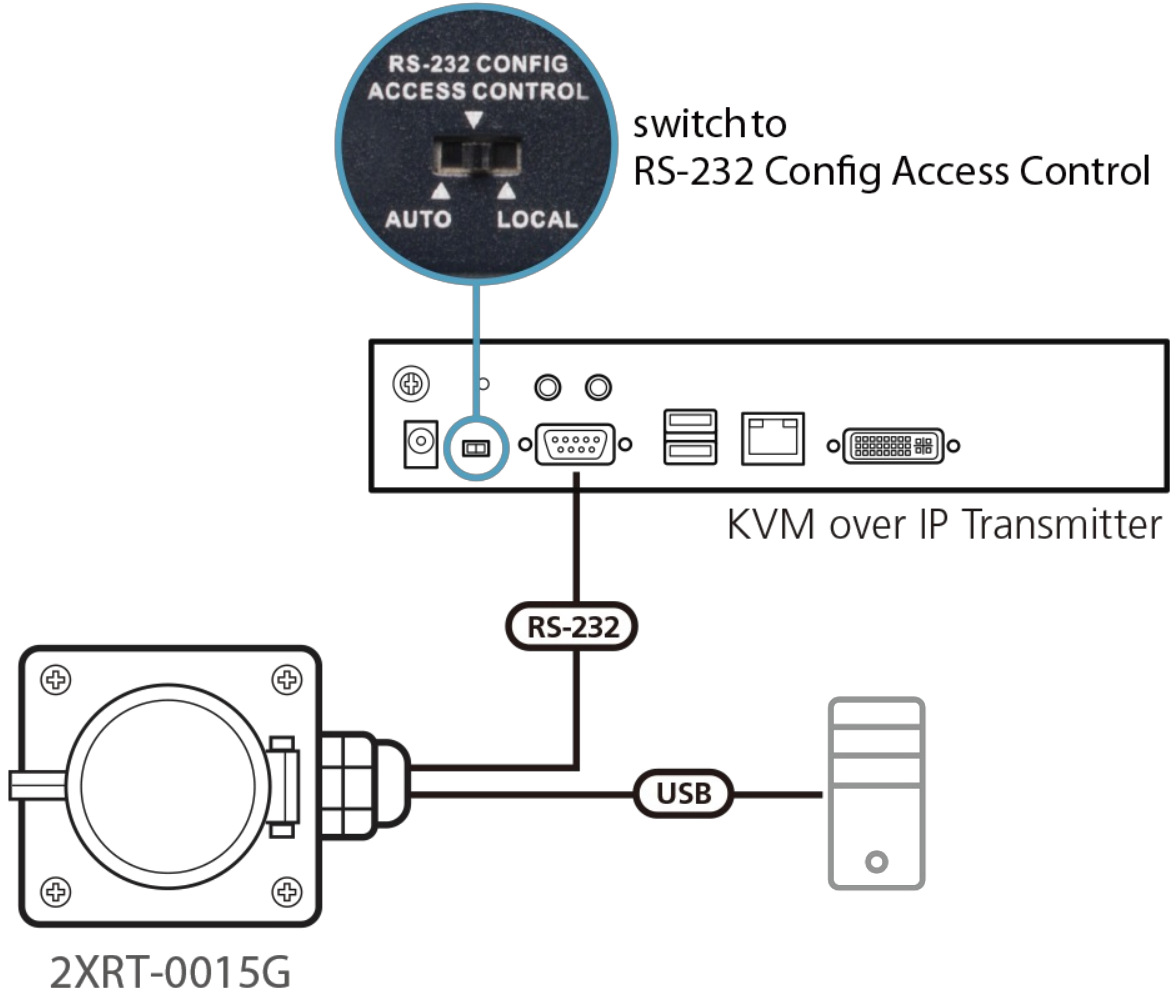
Features

- Users at the Tx local console can enable / disable Rx control privilege by simply pressing a control button
- Plug-and-Play – no software installation required on either side
- USB bus-powered design – no external power adapter required
- Easy to operate
- Cable length reaches 5m for more flexible installation

Specifications

Function	2XRT-0015G
Connectors	
Link	USB, PS/2, RJ-11, RS-232
LEDs	
Status	Pressed: Red Light Released: Dim
Physical Properties	
Housing	Plastic
Weight	0.43 kg (0.95 lb)
Dimensions (L x W x H)	7.20 x 10.39 x 11.00 cm (2.83 x 4.09 x 4.33 in.)
Note	For some of rack mount products, please note that the standard physical dimensions of WxDxH are expressed using a LxWxH format.

Diagram



ATEN International Co., Ltd.

3F, No.125, Sec. 2, Datong Rd., Sijhih District., New Taipei City 221, Taiwan
Phone: 886-2-8692-6789 Fax: 886-2-8692-6767
www.aten.com E-mail: marketing@aten.com



© Copyright 2015 ATEN® International Co., Ltd.
ATEN and the ATEN logo are trademarks of ATEN International Co., Ltd.
All rights reserved. All other trademarks are the property of their respective owners.